

## Datasheet

# RS Pro Prominent Indicator Panel Mount, 14mm Mounting Hole Size, Red LED, Tab Termination, 10 mm Lamp Size

RS Stock No: **204-697**



## Product Details

RS Pro prominent indicator with 14 mm mounting hole, features red LEDs for panel mount applications. This indicator accommodates a lamp size of 10 mm and offers faston, solder lug termination. It has a voltage rating of 48 to 65 V dc. The indicator has a wide operating temperature range of -40 to +85°C, further increasing the potential applications they may be used for. The 10 mm LED requires a 14 mm panel cut-out and is supplied with a fixing nut and spring washer. It offers a wide selection of voltage ratings, bezel finishes and bezel styles.

## Features and Benefits

- 14 mm panel mounting LED indicator
- Coloured diffused epoxy lens or water clear super bright LEDs
- Prominent, recessed, chamfer and flush bezel styles
- Operating temperature range: -40 to +85°C

**Specifications:**

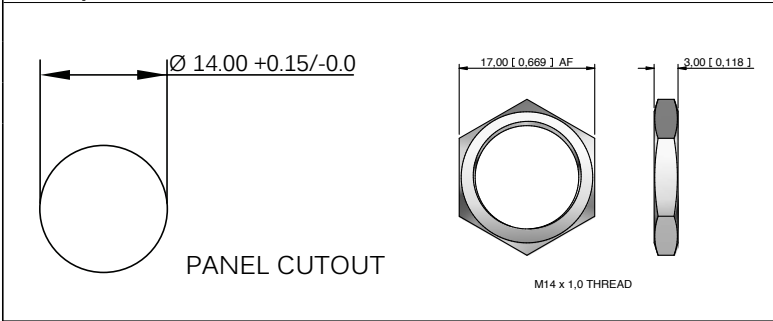
|                      |                    |
|----------------------|--------------------|
| Bezel Colour         | Bright Chrome      |
| Bezel Style          | Prominent          |
| Current Rating       | 20 mA              |
| Intensity            | 80 mcd             |
| Lamp Size            | 10 mm              |
| Lamp Type            | LED                |
| Length               | 38.5 mm            |
| Light Output Colour  | Red                |
| Mounting Hole Size   | 14 mm              |
| Termination Type     | Faston, Solder Lug |
| Type                 | Panel Mount        |
| Voltage Rating       | 48 to 65 V dc      |
| Temperature Rating   | -40 to +85°C       |
| Type of Illumination | Fixed Light        |
| LED Colour           | Red                |



**ENGLISH**

| TECHNICAL SPECIFICATIONS |                                   |  |
|--------------------------|-----------------------------------|--|
| Voltage                  | Operating Voltage<br>(Min to Max) | Operating Current<br>(Typical All Types) |
| 02 (No Resistor)         | 1.8 to 3.3VDC                     | 20mA max*                                |
| 6VDC                     | 5.4 to 6.6VDC                     | 20mA                                     |
| 12VDC                    | 10.8 to 13.2VDC                   | 20mA                                     |
| 24VDC                    | 21.6 to 26.4VDC                   | 20mA                                     |
| 28VDC                    | 25.2 to 30.8VDC                   | 20mA                                     |
| 110VAC                   | 99 to 121VAC                      | 6mA                                      |
| 220VAC                   | 207 to 253VAC                     | 3mA                                      |

|  |
|--|
| <b>Max Reverse Voltage: 5V</b>                               |
| <b>Viewing Angle: 30–100°</b> (dependant on model)           |
| <b>Life Expectancy: 100,000 hours</b>                        |
| <b>Temperature Range: –40 to +85°C</b> (operating & storage) |
| <b>Torque: 75cNm</b>   |



| Standard LED Intensity                 | Prominent and Recessed | Flush       | Forward Voltage |
|--|------------------------|-------------|-----------------|
| HE Red                                 | 80mcd                  | 10mcd       | 2.0V            |
| Green                                  | 60mcd                  | 5mcd        | 2.2V            |
| Yellow                                 | 50mcd                  | 4mcd        | 2.1V            |
| Blue                                   | 540mcd                 | 100mcd      | 3.3V            |
| White                                  | 1000mcd                | 150mcd      | 3.3V            |
| Orange                                 | 80mcd                  | 200mcd      | 2.0V            |
| Bi-color (Typical) (Red/Green)         | 15/15mcd               | 14/10mcd    | 2.0V/2.2V       |
| Tri-color (Typical) (Red/Green/Yellow) | 60/50/50mcd            | 15/10/30mcd | 2.0V/2.2V/2.1V  |

Bi-color - The color is changed by reversing the polarity of the supply voltage.

Tri-color - The indicator has red and green LEDs, when both connected yellow is produced.

| Super Bright LED | Prominent and Recessed | Flush    | Forward Voltage |
|------------------|------------------------|----------|-----------------|
| HE Red           | 17,000mcd              | 2,000mcd | 2.2V            |
| Green            | 11,000mcd              | 680mcd   | 3.5V            |
| Yellow           | 4,000mcd               | 350mcd   | 2.3V            |
| Blue             | 2,500mcd               | 250mcd   | 3.3V            |
| White            | 4,400mcd               | 250mcd   | 3.3V            |
| Orange           | 2800mcd                | 300mcd   | 2.1V            |

| Hyper Bright LED | Prominent and Recessed | Flush  | Forward Voltage |
|------------------|------------------------|--------|-----------------|
| HE Red           | 2,800mcd               | 800mcd | 2.1V            |
| Green            | 2,200mcd               | 250mcd | 3.2V            |
| Yellow           | 1,300mcd               | 250mcd | 2.0V            |
| Orange           | 850mcd                 | 200mcd | 2.1V            |

Luminous intensity will be reduced with lower operating current.

Note: The operating voltage must not be exceeded by more that 10% as this will result in reduced life expectancy.

The company reserves the right to change specifications without notice.

\* Customer to supply resistor for desired operating current.

Luminous intensity is measured at 20mA on a discrete LED unless otherwise stated.

Luminous intensities and color shades of white LEDs may vary within a batch.

LED characteristics are dependent upon environmental conditions. Therefore published data should be considered nominal.

# Technical Drawings

## PROMINENT BEZEL

