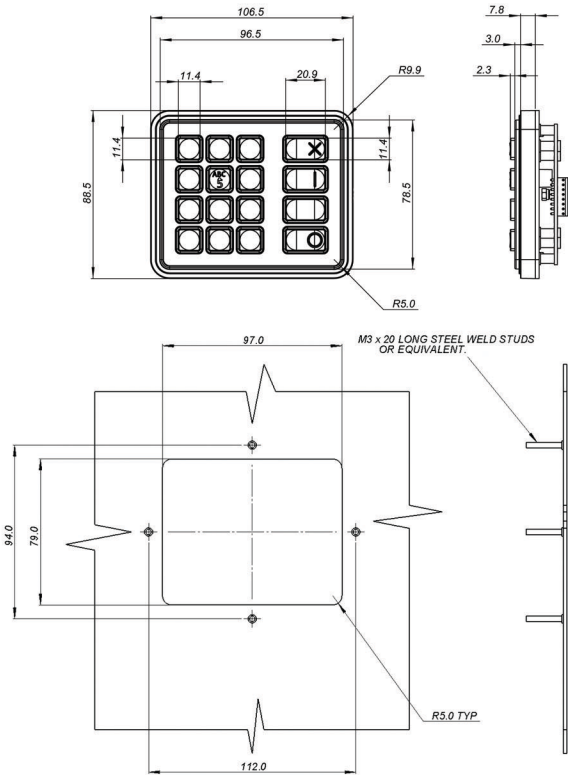


storm

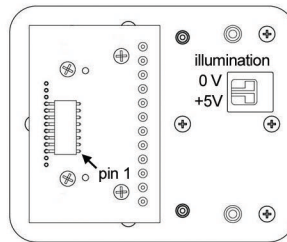
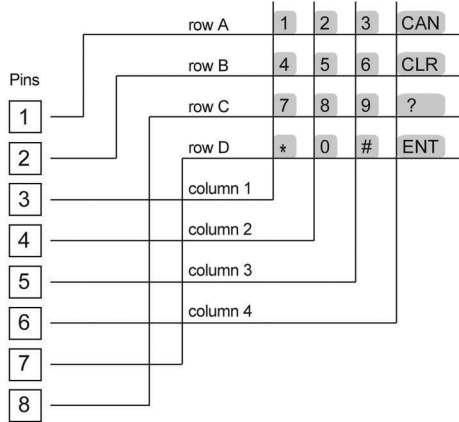
Small Footprint – SF6000 Series Keypad



Dimensions



Connection Details



Keypad connector

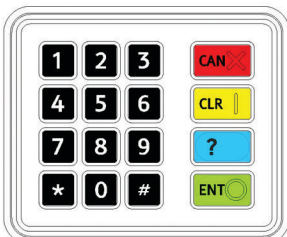
8-position, 0.1" pitch, gold plated right angle pins w/friction lock mates with: **Molex 22013087**

Illumination connector

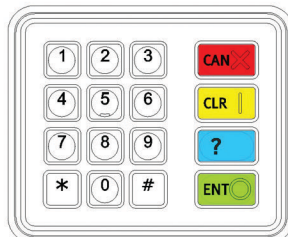
2-position, disconnectable mates with: **JST PHR-2**



Keypad Layouts

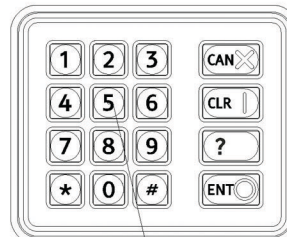


All other keys are black polymer, laser marked white.



All other keys are metal, engraved and infilled black

- Red Polymer Key** with raised cross
- Yellow Polymer Key** with raised vertical bar
- Blue Polymer Key** no raised feature
- Green Polymer Key** with raised circle



5 Key has central homepip

All keys are translucent white marked with black characters

- Red Illumination** with raised cross
- Yellow Illumination** with raised vertical bar
- Blue Illumination** no raised feature
- Green Illumination** with raised circle

Electrical

Keypad Operating Voltage	24V DC (max)
Keypad Operating Current	50mA (max)
Contact Resistance	100 ohms (max)
Illumination Voltage	5V DC (separate connector)

Mechanical

Minimum Operational Life	4 million cycles/key
Keytop Travel	1.5 mm
Actuation Force	150 gm

Environmental

Operating Temperature	-20°C to 60°C
Vandal Resistant	20J BS EN 60068-2-75: 1997
Weather Resistant	IP65 (where mounted to a suitable enclosure – panel mount gasket included)

Ordering Details

Stock No.	Description
8616-21002[x]	Laser Engraved polymer Keys
8616-31002[x]	Engraved Metal Keys
8616-41002[x]	Illuminated Polymer Keys
8600-MK000[x]	Under Panel Mount Kit
4200-003	RS-232 Encoder

Whilst every effort is made to ensure details are correct at time of print, specifications are subject to change without notice.



UL File reference: E230121

Designed & produced by NIK Design
www.nikdesign.co.uk



860-LIT-01 Rev 2
Dec 2007



FM 39602



USA Office:
Storm Interface
800 Enterprise Drive
Oak Brook
Illinois 60523 USA
Tel: +1 (630) 472 5360
Fax: +1 (630) 472 5364
Email: sales.usa@storm-keypads.com

UK Office:
Storm Interface
14 Bentinck Court
Bentinck Road
West Drayton
Middlesex UB7 7RQ
Tel: +44 (0)1895 431421
Fax: +44 (0)1895 431132
Email: sales@storm-interface.com
www.storm-interface.com

Storm is a trademark of Keymat Technology Ltd
Storm Interface is a trading name of Keymat Technology Ltd
Storm Interface products include technology protected by international patents and design registration. All rights reserved.