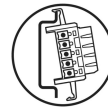


MACX MCR-EX-SL-NAM-NAM


Order No.: 2866006

<http://eshop.phoenixcontact.net/phoenix/treeViewClick.do?UID=2866006>

Ex i NAMUR signal conditioner. For operating Ex i proximity sensors and switches in the Ex area. Passive transistor output (resistive according to EN 60947-5-6), line fault transparency, up to SIL 2 according to IEC 61508; screw connection.



Commercial data

EAN	 4 046356 667876
Pack	1 pcs.
Customs tariff	85437090
Gross weight in pieces	0.1525 KG
Net weight per piece (exclusive packing)	0.10 KG
Product key	CK3141
country of origin	DE
Catalog page information	Page 178 (CAT-7-2013)

Product notes

WEEE/RoHS-compliant since:
06/11/2012



<http://www.download.phoenixcontact.com>
Please note that the data given here has been taken from the online catalog. For comprehensive information and data, please refer to the user documentation. The General Terms and Conditions of Use apply to Internet downloads.

Technical data

Dimensions

Width	12.5 mm
Height	99 mm
Depth	114.5 mm

Ambient conditions

Ambient temperature (operation)	-20 °C ... 60 °C (Any mounting position)
Ambient temperature (storage/transport)	-40 °C ... 80 °C
Maximum altitude	≤ 2000 m
Permissible humidity (operation)	10 % ... 95 % (no condensation)
Noise immunity	EN 61000-6-2 When being exposed to interference, there may be minimal deviations.
Degree of protection	IP20

Input data

Non-load voltage	8 V DC ±10 %
Switching points (attenuated)	< 1.2 mA (blocking)
Switching points (unattenuated)	> 2.1 mA (conductive)

Output data

Switching output	Resistive (transistor, passive)
------------------	---------------------------------

Power supply

Nominal supply voltage	24 V DC
Supply voltage range	12 V DC ... 24 V DC -20 % ... +25 %
Power consumption	< 0.6 W

Connection data

Conductor cross section solid min.	0.2 mm ²
Conductor cross section solid max.	2.5 mm ²
Conductor cross section stranded min.	0.2 mm ²
Conductor cross section stranded max.	2.5 mm ²
Conductor cross section AWG/kcmil min.	24
Conductor cross section AWG/kcmil max	14
Stripping length	7 mm
Screw thread	M3
Connection method	Screw connection
Tightening torque, min	0.5 Nm
Tightening torque max	0.6 Nm

General

No. of channels	1
-----------------	---

Status display	Green LED (supply voltage)
	LED yellow (switching state)
	Red LED (line errors)
Inflammability class according to UL 94	V0
Pollution degree	2
Surge voltage category	II
Electromagnetic compatibility	Conformance with EMC Directive 2004/108/EC
Emitted interference	EN 61000-6-4
Housing material	PA 66-FR
Color	green
Electrical isolation input / output	375 V (Peak value in accordance with EN 60079-11)
Electrical isolation input / supply / T connector	375 V (Peak value in accordance with EN 60079-11)
Conformance	CE-compliant, additionally EN 61326
ATEX	Ex II (1) G [Ex ia Ga] IIC
	Ex II (1) D [Ex ia Da] IIIC
	Ex II 3G Ex nA IIC T4 Gc X
IECEX	[Ex ia Ga] IIC
	[Ex ia Da] IIIC
	Ex nA IIC T4 Gc
Functional safety (SIL)	SIL 2

Safety data

Output voltage U_o	≤ 9.6 V
Output current I_o	≤ 10 mA
Output power P_o	≤ 25 mW
Gas group	IIC
Max. external inductivity L_o	100 mH
Max. external capacity C_o	510 nF
Gas group	IIC
Max. external inductivity L_o	5 mH
Max. external capacity C_o	840 nF
Gas group	IIC
Max. external inductivity L_o	1 mH
Max. external capacity C_o	1.2 μ F
Safety-related maximum voltage U_m	253 V
Gas group	IIB

Max. external inductivity L _o	100 mH
Max. external capacity C _o	2.7 µF
Gas group	IIB
Max. external inductivity L _o	5 mH
Max. external capacity C _o	4.4 µF
Gas group	IIB
Max. external inductivity L _o	1 mH
Max. external capacity C _o	6.3 µF

Certificates / Approvals

Certification Ex: IECEx

Certification

Certifications applied for:

Accessories

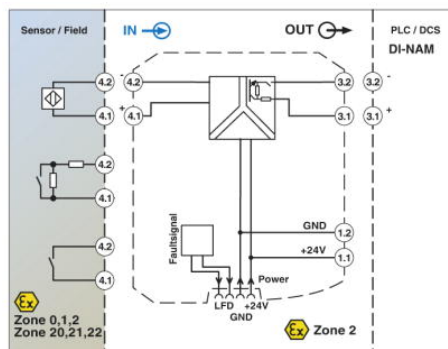
Item	Designation	Description
------	-------------	-------------

General

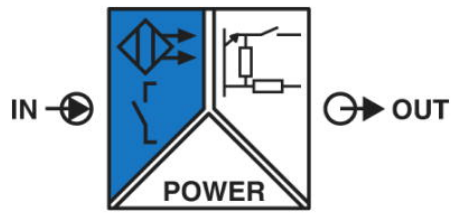
2865625	MACX MCR-PTB	Power and error message module
2924184	MACX MCR-PTB-SP	Power and error message module, spring-cage terminal blocks
2869728	ME 6,2 TBUS-2 1,5/5-ST-3,81 GN	DIN rail connector for DIN rail mounting. Universal for T-BUS housing. Gold-plated contacts, 5-pos.

Diagrams/Drawings

Block diagram



Pictogram



Address

PHOENIX CONTACT GmbH & Co. KG
Flachmarktstr. 8
32825 Blomberg, Germany
Phone +49 5235 3 00
Fax +49 5235 3 41200
<http://www.phoenixcontact.com>



© 2013 Phoenix Contact
Technical modifications reserved;