



# MIL-DTL-5015 Type Reverse Bayonet Coupling (Series ITS) with Single RJ45 Connector

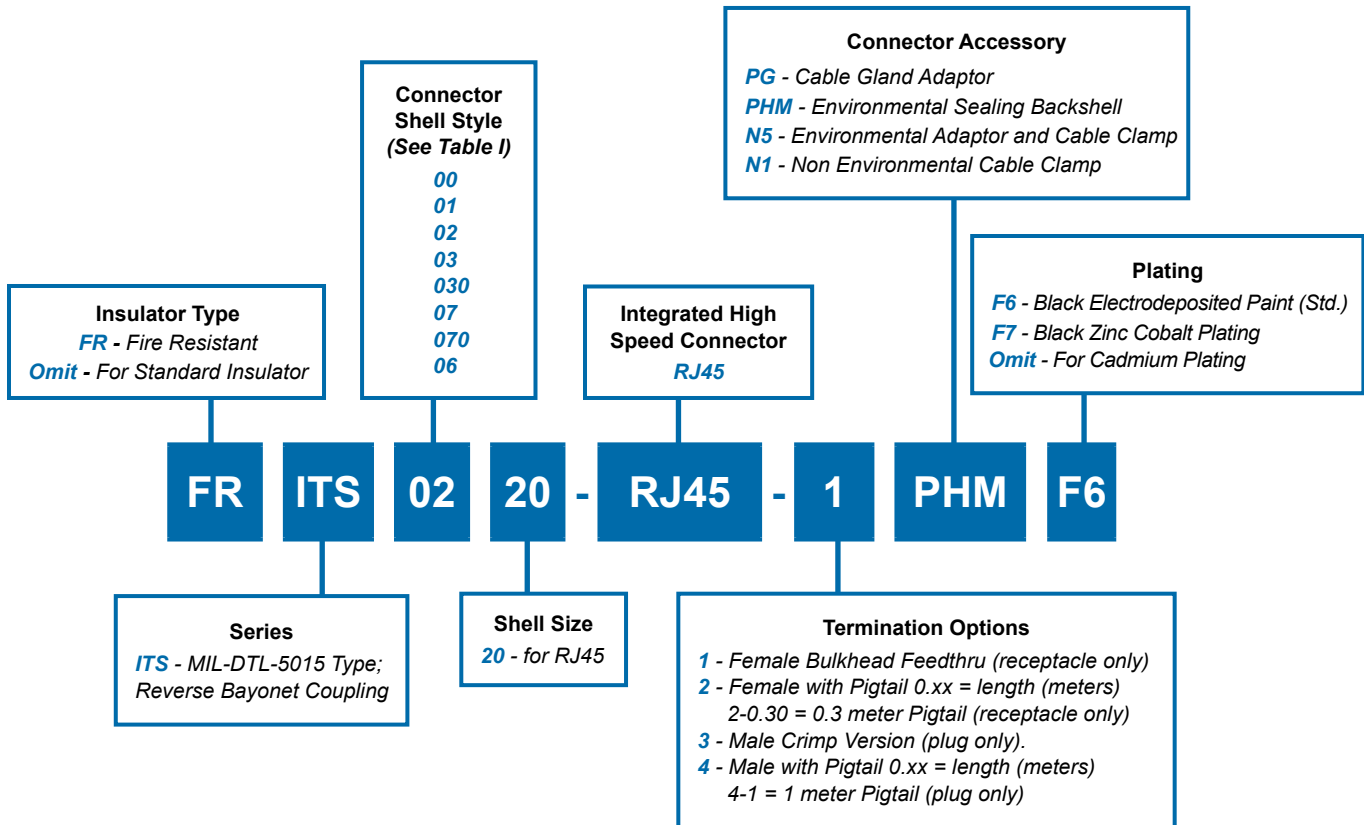


Figure 1  
Receptacle (Front)



Figure 2  
Receptacle (Rear)

# MIL-DTL-5015 Type Reverse Bayonet Coupling (Series ITS) with Single RJ45 Connector



**TABLE I**

**Connector Shell  
Detailed Description**

- 00** - Front Panel Mount Square Flange Receptacle with Accessory Threads
- 01** - In Line Cylindrical Receptacle with Accessory Threads
- 02** - Front Panel Mount Square Flange Receptacle; No Accessory Threads
- 03** - Rear Panel Mount Square Flange Receptacle; No Accessory Threads
- 030** - Rear Panel Mount Square Flange Receptacle with Accessory Threads
- 07** - Rear Panel Mount Jam Nut Receptacle; No Accessory Threads
- 070** - Rear Panel Mount Jam Nut Receptacle with Accessory Threads
- 06** - Straight Cylindrical Plug Connector with Accessory Threads

Commercial-grade RJ45 connectors are intended for use in clean, dry environments. Exposure to dirt and moisture can lead to damage or failure. Glenair's sealed RJ45 connectors provide a high level of protection for the most hostile environments. Standard RJ45 jacks are housed in rugged, waterproof ITS Series bayonet connectors. Connectors feature resilient nitrile inserts and electrodeposited corrosion-resistant black paint or black zinc cobalt plating. Cadmium plating is also available. A typical ITS RJ45 application consists of a through bulkhead female receptacle (*Figure 1 and 2*) and a male plug crimp RJ45 (*Figure 3*).

**TECHNICAL CHARACTERISTICS**

Category	Cat. 6 (Cat 5E available upon request)
Connection	10BaseT, 100BaseTx, 1000BaseT
Working Voltage	30/42 Volts AC RMS/VDC
Max Current Rating	1.5 Amps at 20° C
Max Contact Resistance	20 mΩ
Min. Insulation Resistance	1.000 mΩ at 500 Volts DC
Dielectric Withstanding Voltage	1000 Volts
Working Temperature	-40° to +68° C
Environmental Rating	IP67 (mated)



**Figure 3**  
**Plug (Front)**



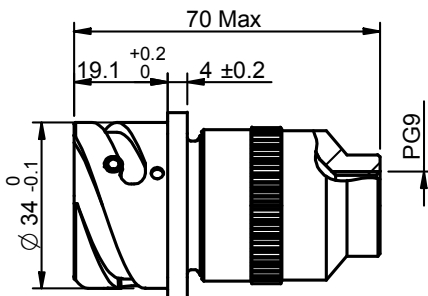
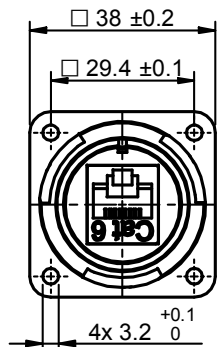
**Figure 4**  
**RJ45 Interconnection Sequence**



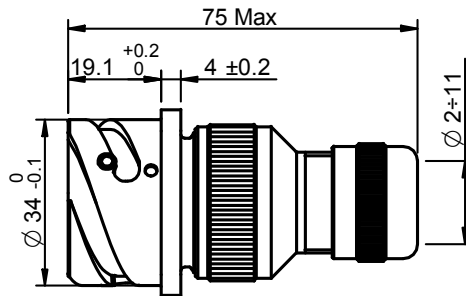
MIL-DTL-5015 Type Reverse Bayonet Coupling (Series ITS) with Single RJ45 Connector

CONFIGURATIONS AVAILABLE : ITS 00

Front View

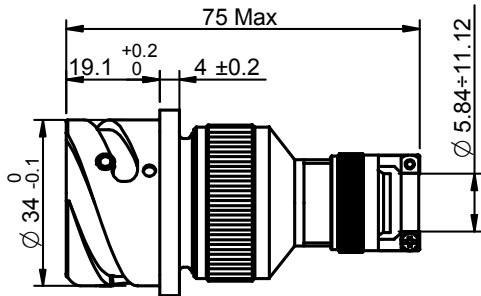
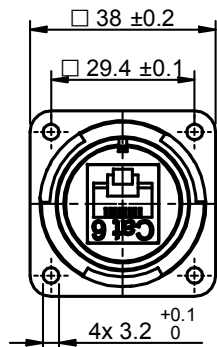


FRITS0020-RJ45-1PGF6

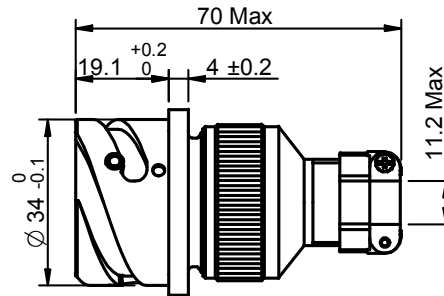


FRITS0020-RJ45-1PHMF6

Front View



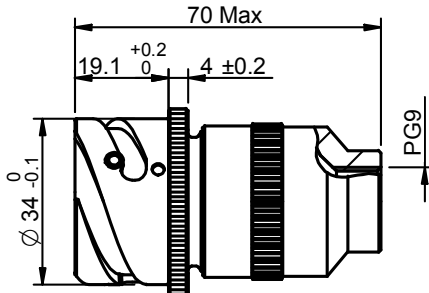
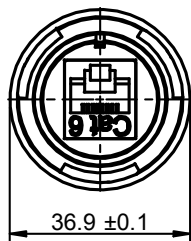
FRITS0020-RJ45-1N5F6



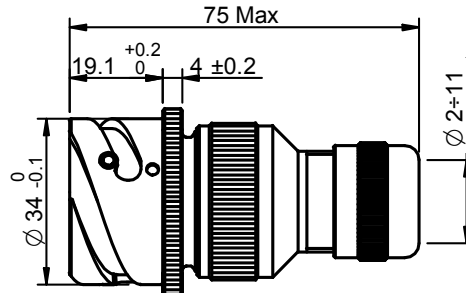
FRITS0020-RJ45-1N1F6

CONFIGURATIONS AVAILABLE : ITS 01

Front View



FRITS0120-RJ45-1PGF6



FRITS0120-RJ45-1PHMF6

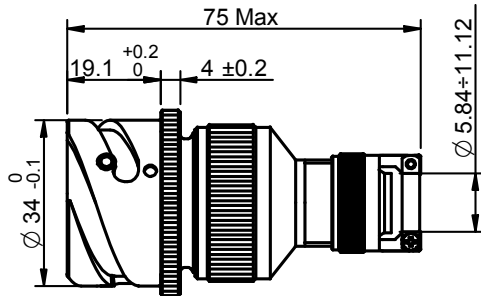
# MIL-DTL-5015 Type Reverse Bayonet Coupling (Series ITS) with Single RJ45 Connector



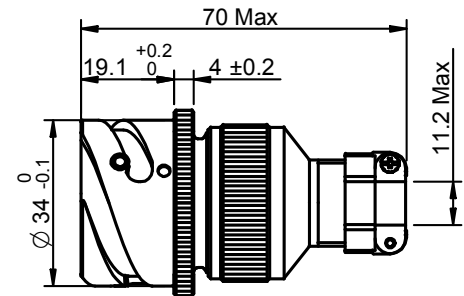
High-Speed  
Connectors

CONFIGURATIONS AVAILABLE : ITS 01

Front View



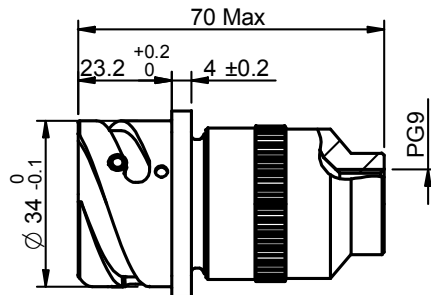
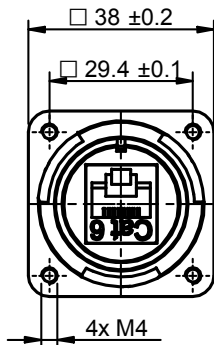
FRITS0120-RJ45-1N5F6



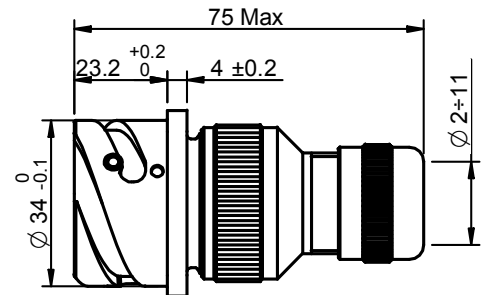
FRITS0120-RJ45-1N1F6

CONFIGURATIONS AVAILABLE : ITS 030

Front View

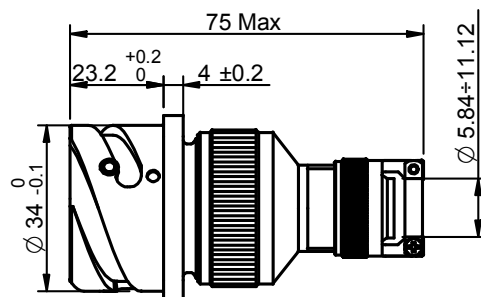
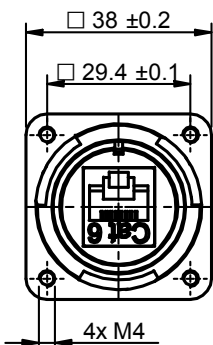


FRITS03020-RJ45-1PGF6

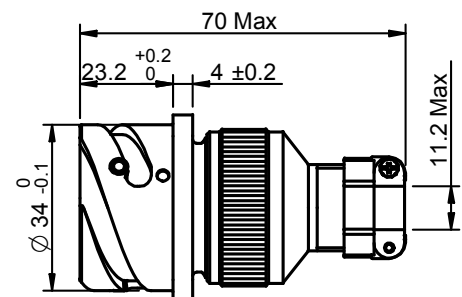


FRITS03020-RJ45-1PHMF6

Front View



FRITS03020-RJ45-1N5F6



FRITS03020-RJ45-1N1F6

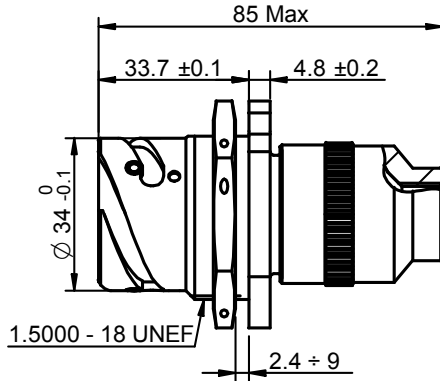
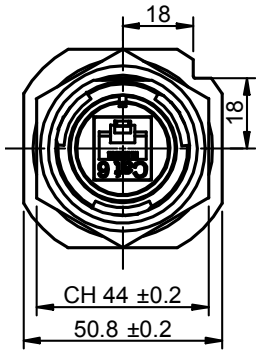
Connectors



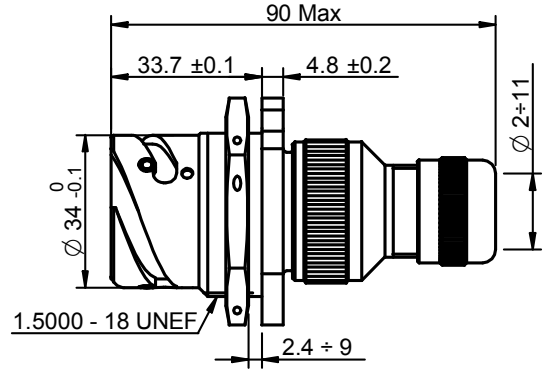
# MIL-DTL-5015 Type Reverse Bayonet Coupling (Series ITS) with Single RJ45 Connector

CONFIGURATIONS AVAILABLE : ITS 070

Front View

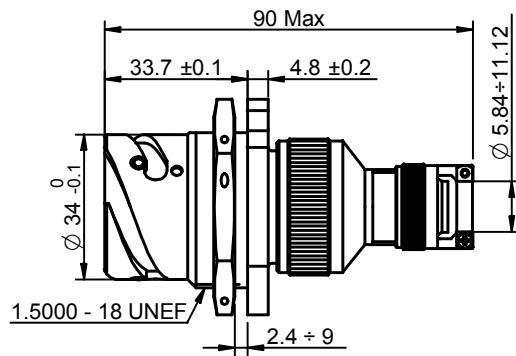
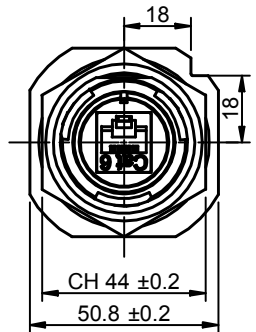


FRITS07020-RJ45-1PGF6

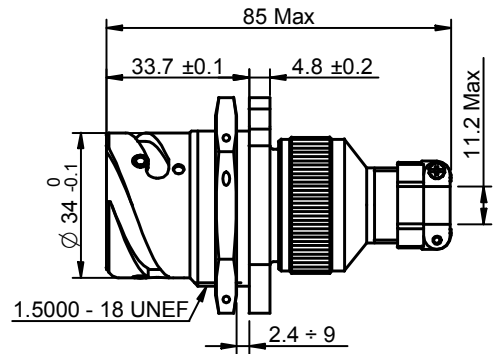


FRITS07020-RJ45-1PHMF6

Front View



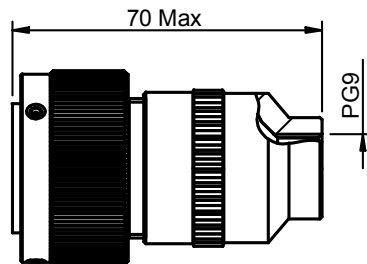
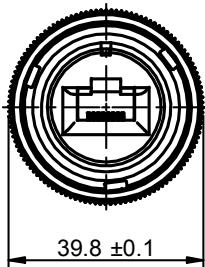
FRITS07020-RJ45-1N5F6



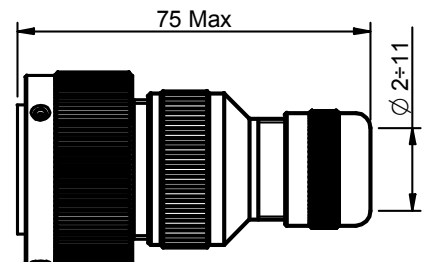
FRITS07020-RJ45-1N1F6

CONFIGURATIONS AVAILABLE : ITS 06

Front View



FRITS0620-RJ45-3PGF6



FRITS0620-RJ45-3PHMF6

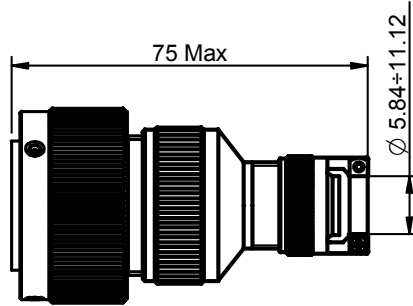
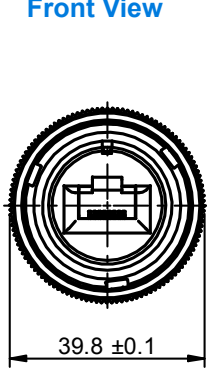
MIL-DTL-5015 Type Reverse Bayonet Coupling  
(Series ITS)  
with Single RJ45 Connector



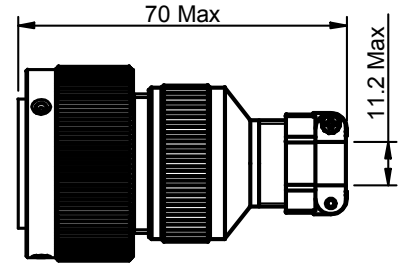
High-Speed  
Connectors

CONFIGURATIONS AVAILABLE : ITS 06

Front View



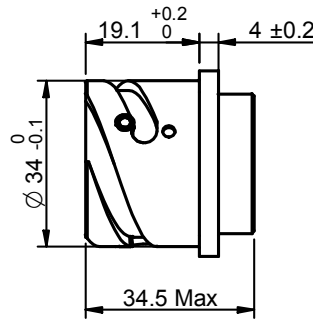
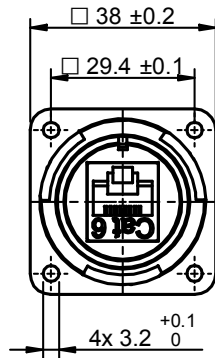
FRITS0620-RJ45-3N5F6



FRITS0620-RJ45-3N1F6

CONFIGURATIONS AVAILABLE : ITS 02

Front View



FRITS0220-RJ45-1F6

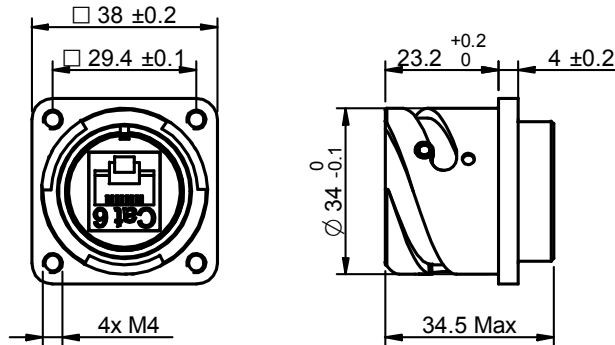
Connectors



MIL-DTL-5015 Type Reverse Bayonet Coupling  
(Series ITS)  
with Single RJ45 Connector

CONFIGURATIONS AVAILABLE : ITS 03

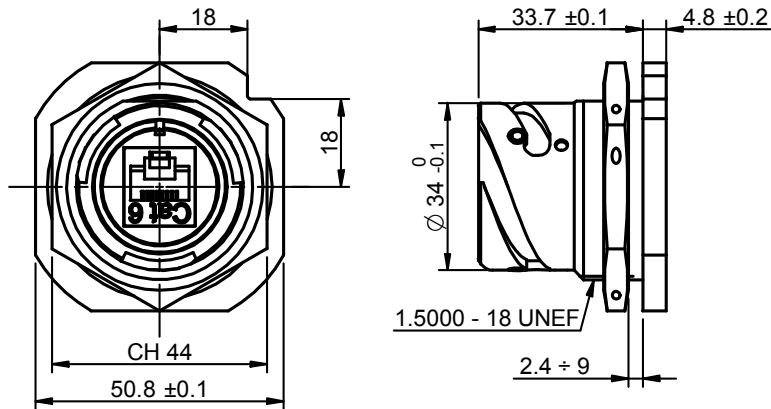
Front View



FRITS0320-RJ45-1F6

CONFIGURATIONS AVAILABLE : ITS 07

Front View



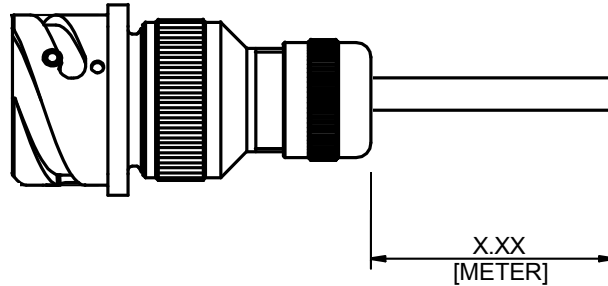
FRITS0720-RJ45-1F6

# MIL-DTL-5015 Type Reverse Bayonet Coupling (Series ITS) with Single RJ45 Connector



## PIGTAIL GENERAL SKETCHES AND CONFIGURATIONS AVAILABLE

### Female with Pigtail for Configuration : 00 - 01 - 030 - 070



EXAMPLE : FRITS0020-RJ45-21.5PHMF6 → 1.5 mt Pigtail

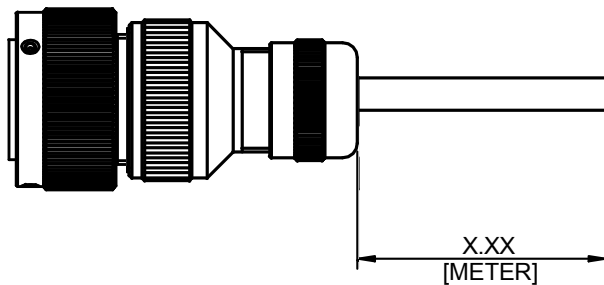
Female with Pigtail for Configuration : 00
FRITS0020-RJ45-2X.xxN1F6
FRITS0020-RJ45-2X.xxN5F6
FRITS0020-RJ45-2X.xxPHMF6
FRITS0020-RJ45-2X.xxPGF6

Female with Pigtail for Configuration : 030
FRITS03020-RJ45-2X.xxN1F6
FRITS03020-RJ45-2-X.xxN5F6
FRITS03020-RJ45-2X.xxPHMF6
FRITS03020-RJ45-2X.xxPGF6

Female with Pigtail for Configuration : 01
FRITS0120-RJ45-2X.xxN1F6
FRITS0120-RJ45-2X.xxN5F6
FRITS0120-RJ45-2X.xxPHMF6
FRITS0120-RJ45-2X.xxPGF6

Female with Pigtail for Configuration : 070
FRITS07020-RJ45-2X.xxN1F6
FRITS07020-RJ45-2X.xxN5F6
FRITS07020-RJ45-2X.xxPHMF6
FRITS07020-RJ45-2X.xxPGF6

### Male with Pigtail for Configuration : 06



Female with Pigtail for Configuration : 06
FRITS0620-RJ45-4X.xxN1F6
FRITS0620-RJ45-4X.xxN5F6
FRITS0620-RJ45-4X.xxPHMF6
FRITS0620-RJ45-4X.xxPGF6

EXAMPLE : FRITS0620-RJ45-41.5PHMF6 → 1.5 mt Pigtail