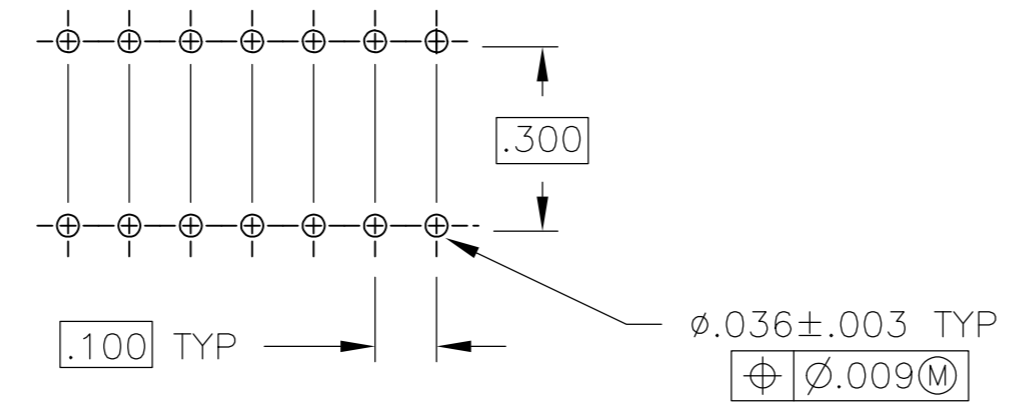
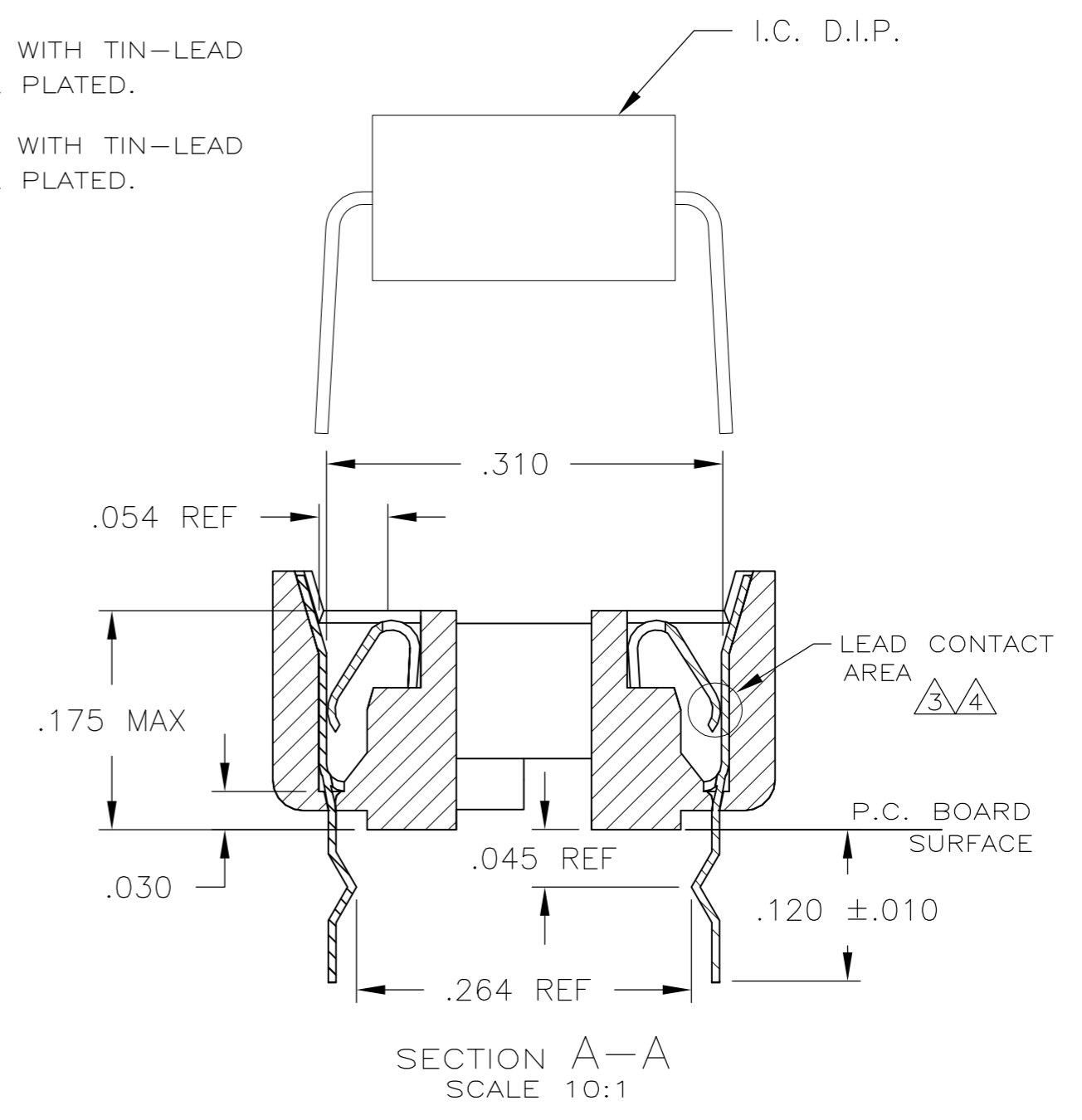
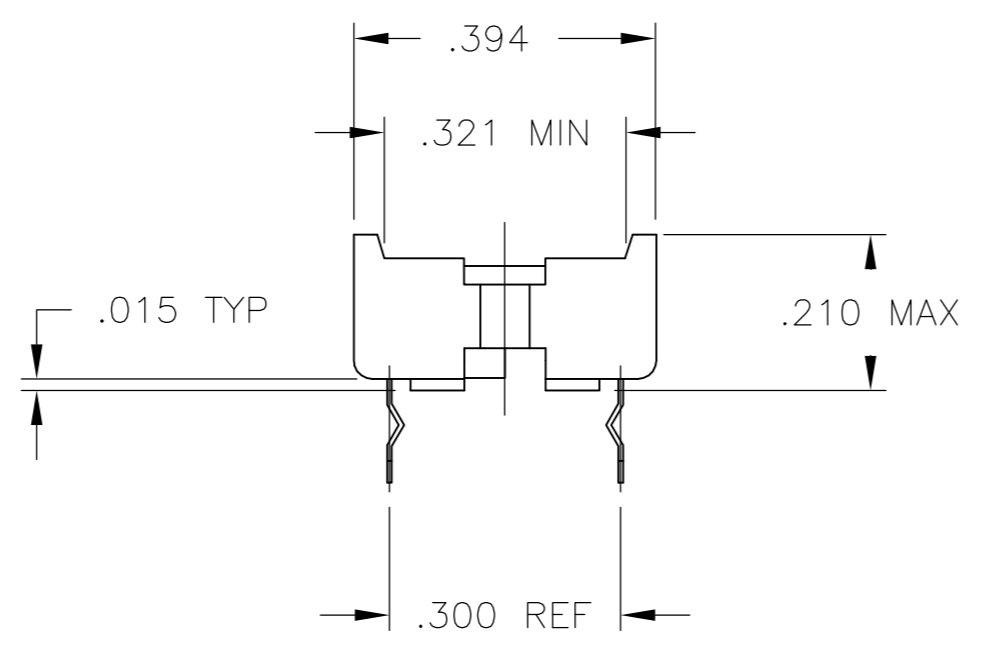
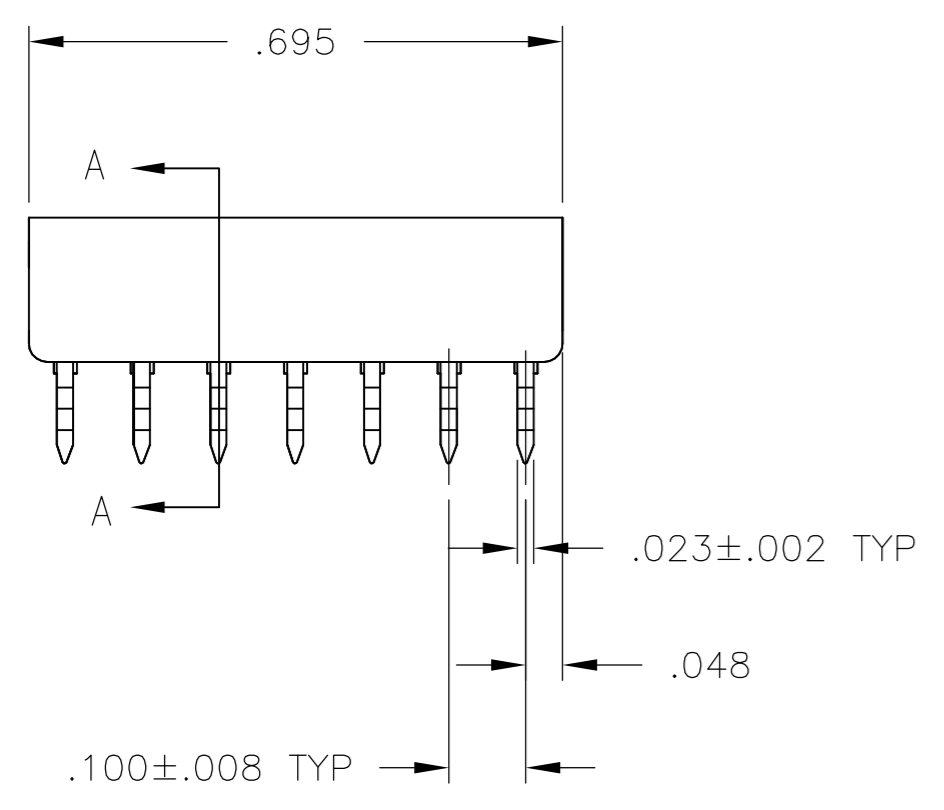
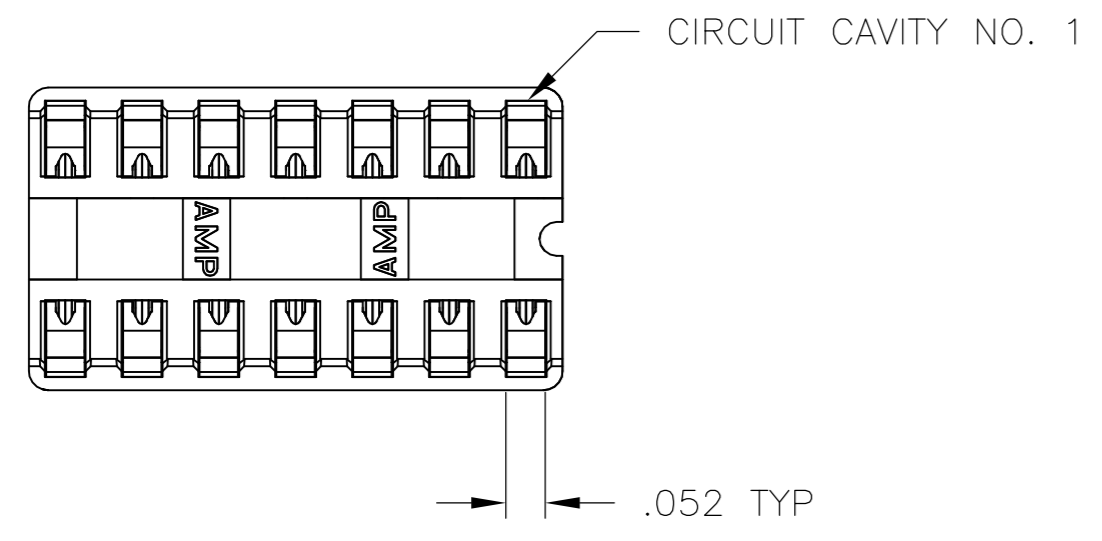


THIS DRAWING IS UNPUBLISHED. RELEASED FOR PUBLICATION
 © COPYRIGHT - By - ALL RIGHTS RESERVED.

LOC		DIST		REVISIONS			
P	LTR	DESCRIPTION	DATE	DWN	APVD		
FT	64	Y1	REVISED PER ECO-11-005027	11MAR11	RK	HMR	

1. RECEPTACLE ACCEPTS A .008-.014 THICK I.C. LEAD.
2. TUBE LOADED.
3. TWO .000030 MIN THK. GOLD STRIPES IN CONTACT AREA WITH TIN-LEAD (93/7) ON CONTACT LEGS, BALANCE OF CONTACT NICKEL PLATED.
4. TWO .000015 MIN THK. GOLD STRIPES IN CONTACT AREA WITH TIN-LEAD (93/7) ON CONTACT LEGS, BALANCE OF CONTACT NICKEL PLATED.



RECOMMENDED MOUNTING HOLE PATTERN
SCALE 4:1

OBSOLETE	TINNED	PHOS.BRZ. .006 THK	GLASS-FILLED THERMOPLASTIC, 94V-O, BLACK	2-641609-5
	3	PHOS.BRZ. .006 THK	GLASS-FILLED THERMOPLASTIC, 94V-O, BLACK	2-641609-4
OBSOLETE	TINNED	PHOS.BRZ. .006 THK	GLASS-FILLED THERMOPLASTIC, 94V-O, BLACK	2-641609-3
OBSOLETE	3	BE.CU. .006 THK	GLASS-FILLED THERMOPLASTIC, 94V-O, BLACK	2-641609-2
	TINNED	BE.CU. .006 THK	GLASS-FILLED THERMOPLASTIC, 94V-O, BLACK	2-641609-1
CONTACT FINISH		CONTACT MAT'L	HOUSING MATERIAL	PART NO.

THIS DRAWING IS A CONTROLLED DOCUMENT.		DWN	R BROWN	09JAN01	 TE Connectivity	
DIMENSIONS: INCHES		CHK	H WYNKOOP	28AUG00		
TOLERANCES UNLESS OTHERWISE SPECIFIED:		APVD	H WYNKOOP	28AUG00		
0 PLC ± - 1 PLC ± - 2 PLC ± - 3 PLC ± .005 4 PLC ± - ANGLES ± -		PRODUCT SPEC	108-1066			
MATERIAL: SEE TABLE		FINISH	SEE TABLE		NAME	SOCKET ASSY, DIP, LADDER, RET LEG, 14 POS, DIPLOMATE™ DL
		WEIGHT	-		SIZE	A2
		CUSTOMER DRAWING	SCALE	4:1	CAGE CODE	00779
			SHEET	1 of 1	DRAWING NO	C=641609
			REV	Y1	RESTRICTED TO	-