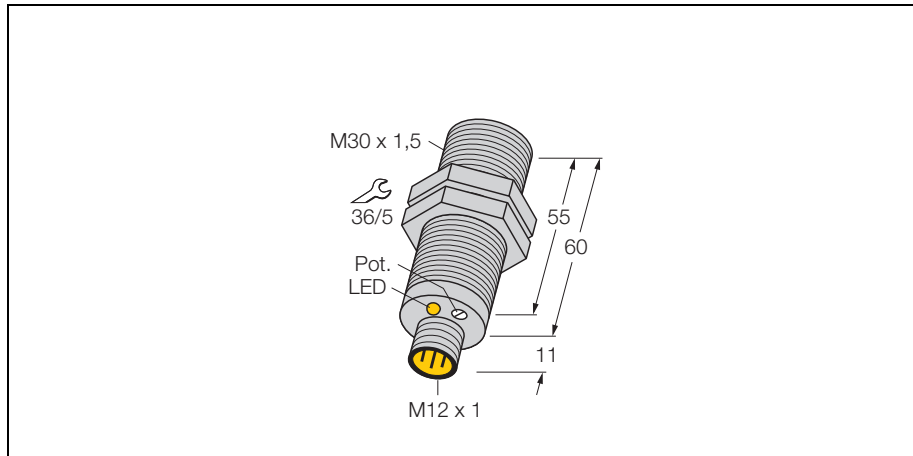


capacitive sensor

BC10-M30K-VP4X-H1141

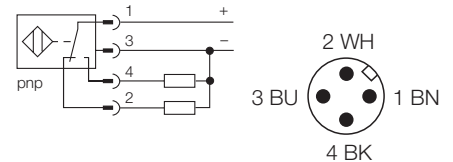
TURCK

Industrial
Automation



- fine adjustment via potentiometer
- 4-wire DC, 10...65 VDC
- change-over, pnp output
- connector, M12 x 1

Wiring diagram



Capacitive proximity switches are designed for non-contact and wear-free detection of metal (electrically conductive) and non-metal (electrically non-conductive) objects.

Type	BC10-M30K-VP4X-H1141
Ident-No.	2503035
Rated operating distance Sn	10 mm, flush mounting
Rated operating distance Sn	10 mm, non-flush mounting
Hysteresis	2... 20 %
Temperature drift	≤ ± 20 %
Repeatability	≤ 2 %
Ambient temperature	-25...+ 70 °C
Operating voltage	10... 65VDC
Residual ripple	≤ 10 % U _{ss}
DC rated operational current	≤ 200 mA
No-load current I ₀	≤ 15 mA
Residual current	≤ 0.1 mA
Switching frequency	≤ 0.1kHz
Rated insulation voltage	≤ 0.5 kV
Output function	4-wire, Two-way contact, pnp
Short-circuit protection	yes / cyclic
Voltage drop at I _e	≤ 1.8V
Wire breakage / Reverse polarity protection	yes / complete
Housing	threaded barrel, M30 x 1.5
Dimensions	60 mm
Material active face	plastic
Tightening torque of housing nut	25 Nm
Electrical connection	Connectors, M12 x 1
Vibration resistance	55 Hz (1 mm)
Shock resistance	30g (11 ms)
Degree of protection	IP67
Display switch state	LED yellow