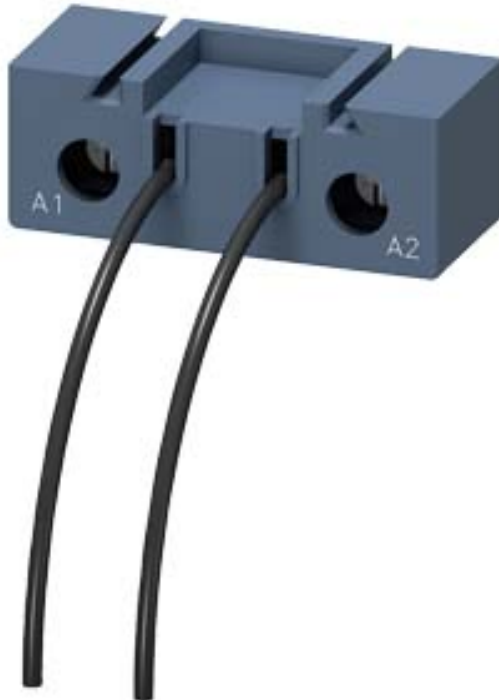


COIL CONNECTION MODULE FOR MOTOR CONTACTORS SZ S0+S2, CONNECTION F. BOTTOM SCREW TERMINAL



General technical data:

product brand name	SIRIUS
Product designation	Coil connection module
Type of electrical connection	screw-type terminals

Certificates/ approvals:

Shipping Approval	other
-------------------	-------



ABS

[Umweltbestätigung](#)

[Bestätigungen](#)

Further information

Information- and Downloadcenter (Catalogs, Brochures,...)

<http://www.siemens.com/industrial-controls/catalogs>

Industry Mall (Online ordering system)

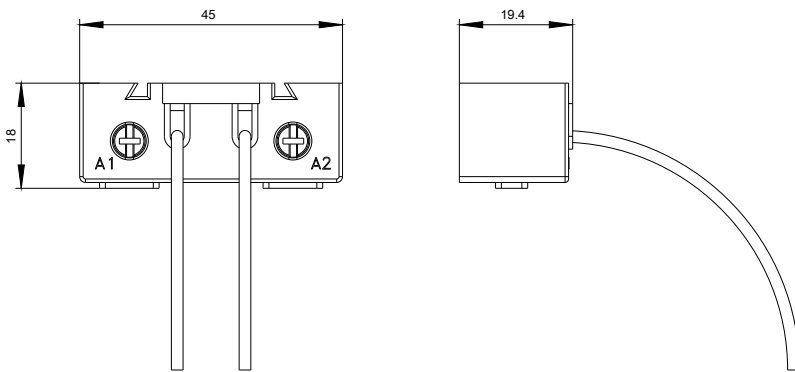
<http://www.siemens.com/industrymall>

Cax online generator

<http://support.automation.siemens.com/WW/CAXorder/default.aspx?lang=en&mfb=3RT29264RB11>

Service&Support (Manuals, Certificates, Characteristics, FAQs,...)

<https://support.industry.siemens.com/cs/ww/en/ps/3RT29264RB11>



last modified:

15.10.2015