

Datasheet

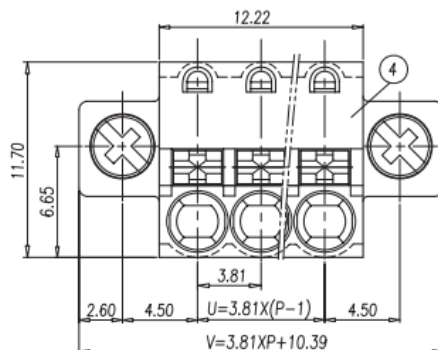
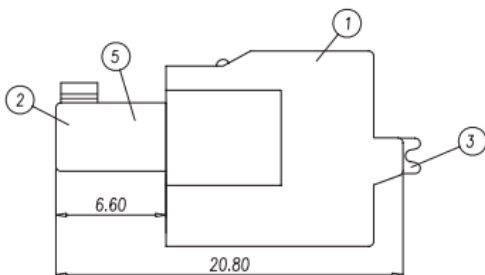
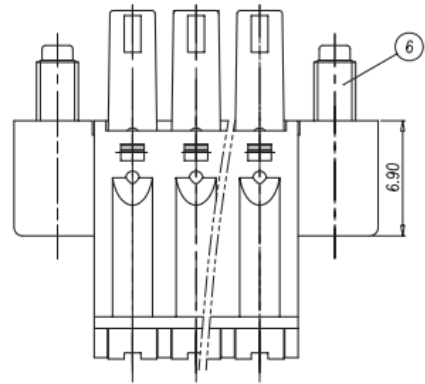
New 3.5mm Plug with Flange 8A 8 Way

RS Stock 874-5152



Dimensions: (mm)

P	2	3	4	5	6	7	8	9	10	11
U	3.81	7.62	11.43	15.24	19.05	22.86	26.67	30.48	34.29	38.1
V	18.01	21.82	25.63	29.44	33.25	37.06	40.87	44.68	48.49	52.3
P	12	13	14	15	16	17	18	19	20	
U	41.91	45.72	49.53	53.34	57.15	60.96	64.77	68.58	72.39	
V	56.11	59.92	63.73	67.54	71.35	75.16	78.97	82.78	86.59	





Specifications

- Rating: 300V 8A
- Pitch: 3.81mm
- Insulation Withstands Voltage: AC 2000 V at 1 minute
- Insulation Resistance: 500M or more at DC500V
- Using Temperature Range: -40 ~ +105
- Suitable Electric Wire: 28~16 AWG
- RoHS Compliance

Materials

- Housing: PA66 Green
- Cover: UL94-VO Green
- Lever: POM Orange
- Clamp: SU301
- Solder Pin: Copper Alloy / Tin Plated
- Screw: Steel / ZN Plated

Normal Geometric Tolerancing				
—	//	≡	⊥	
0 to 100	0.2	0.3	0 to 10	0.2
over 100 to 150	0.3		over 10	0.3
over 150	0.5			
Total Pitch Tolerances		Normal dimension Tolerances		
0<U≤30	±0.20	0~30	±0.25	
30<U≤53	±0.25	over 30~53	±0.30	
53<U≤70	±0.30	over 53~70	±0.35	
70<U≤90	±0.35	over 70~90	±0.44	
90<U≤115	±0.44	over 90~115	±0.55	
115<U≤150	±0.55	over 115~150	±0.70	
150<U≤200	±0.70	over 150~200	±0.85	
200<U≤250	±0.85	over 200~250	±1.00	
250<U≤320	±1.00	over 250~320	±1.20	