

## Feed-through terminal block - DK-BIC-35 - 2749880

Please be informed that the data shown in this PDF Document is generated from our Online Catalog. Please find the complete data in the user's documentation. Our General Terms of Use for Downloads are valid (<http://download.phoenixcontact.com>)

Feed-through terminal block for VAL and FLT applications




### Why buy this product

- Biconnect feed-through terminal block
- For wiring mixed combinations of lightning and surge arresters
- As a system extension for FLASHTRAB and VALVETRAB applications



### Key commercial data

Packing unit	1 pc
GTIN	 4 017918 108212
Weight per Piece (excluding packing)	71.43 g
Custom tariff number	85363010
Country of origin	Germany

### Technical data

#### Dimensions

Width	17.7 mm
Height	89.8 mm
Depth	65.5 mm

#### Ambient conditions

Ambient temperature (operation)	-40 °C ... 85 °C
Degree of protection	IP20

#### General

Connection method	Screw connection
Connection type IN	Biconnect screw terminal block
Connection type OUT	Biconnect screw terminal block
Screw thread	M5

# Feed-through terminal block - DK-BIC-35 - 2749880

## Technical data

### General

Tightening torque, min	4.5 Nm
Stripping length	14.5 mm
Conductor cross section stranded min.	0.5 mm <sup>2</sup>
Conductor cross section stranded max.	25 mm <sup>2</sup>
Conductor cross section solid min.	0.5 mm <sup>2</sup>
Conductor cross section solid max.	35 mm <sup>2</sup>
Conductor cross section AWG/kcmil min.	20
Conductor cross section AWG/kcmil max	2
Rated voltage	500 V AC/DC
Nominal current I <sub>N</sub>	125 A (30 °C)
Impulse discharge current (10/350) µs, charge	50 As
Impulse discharge current (10/350) µs, specific energy	2.50 MJ/Ω
Impulse discharge current (10/350) µs, peak value I <sub>imp</sub>	100 kA
Maximum continuous voltage UC	500 V AC/DC
Housing material	PA 6.6-FR
Inflammability class according to UL 94	V0
Standards for air and creepage distances	DIN VDE 0110-1
	IEC 60664-1
Standards/regulations	IEC 61643-1
	DIN EN 61643-11
	IEC 60947-7-1
Mounting type	DIN rail: 35 mm
Type	Rail-mountable module, one-piece
Color	black

## Classifications

### eCl@ss

eCl@ss 4.0	27140299
eCl@ss 4.1	27140299
eCl@ss 5.0	27140202
eCl@ss 5.1	27140202
eCl@ss 6.0	27141140
eCl@ss 7.0	27141140
eCl@ss 8.0	27141140

### ETIM

ETIM 2.0	EC000489
ETIM 3.0	EC000489
ETIM 4.0	EC000897
ETIM 5.0	EC000897

# Feed-through terminal block - DK-BIC-35 - 2749880

## Classifications

### UNSPSC

UNSPSC 6.01	30212010
UNSPSC 7.0901	39121610
UNSPSC 11	39121610
UNSPSC 12.01	39121610
UNSPSC 13.2	39121620

## Approvals

### Approvals

---

#### Approvals

UL Recognized / KEMA-KEUR / GOST

---


#### Ex Approvals

---

#### Approvals submitted

---

## Approval details

UL Recognized 	
mm <sup>2</sup> /AWG/kcmil	20-2
Nominal current I <sub>N</sub>	100 A
Nominal voltage U <sub>N</sub>	600 V

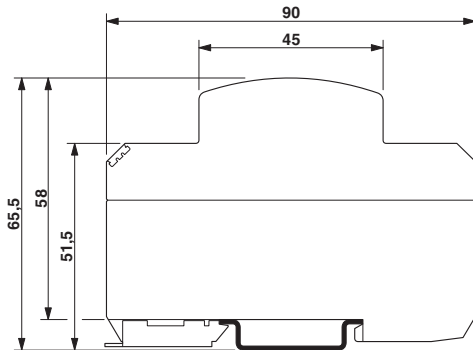
KEMA-KEUR 	
---	--

GOST 	
--	--

## Drawings

## Feed-through terminal block - DK-BIC-35 - 2749880

Dimensioned drawing



Circuit diagram

