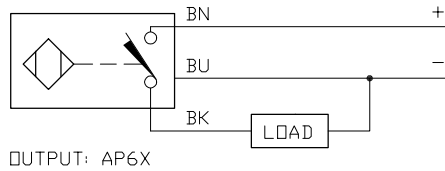
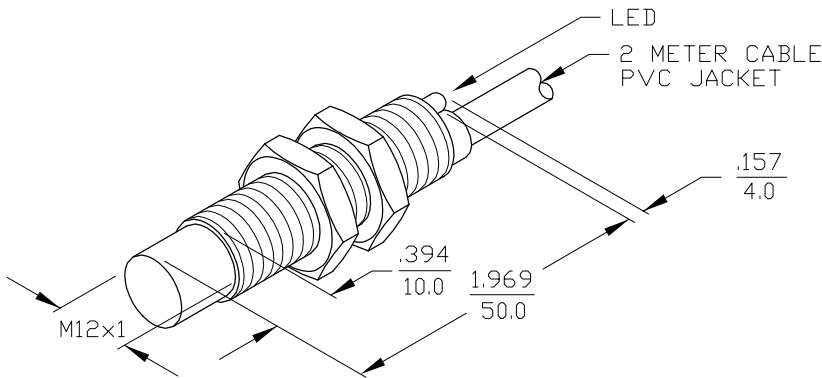
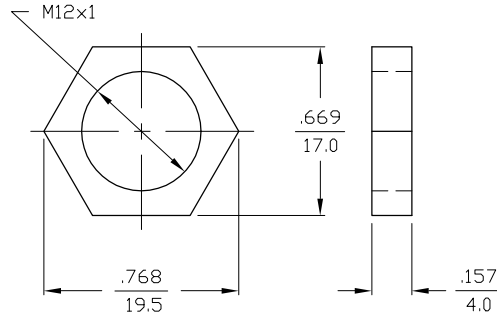


WIRING DIAGRAMS



SHORT-CIRCUIT AND OVERLOAD PROTECTED

LOCKNUT LN-M12



SPECIFICATIONS

| | |
|---|--|
| OPERATING VOLTAGE | 10-30 VDC |
| RIPPLE | ≤10% |
| DIFFERENTIAL TRAVEL (HYSTERESIS) | 3-15% (5% TYPICAL) |
| VOLTAGE DROP ACROSS CONDUCTING SENSOR | ≤1.8 V at 200 mA |
| OUTPUT FUNCTION | NORMALLY OPEN 3-WIRE DC SELF-CONTAINED |
| TTL COMPATIBLE | NO |
| SHORT-CIRCUIT PROTECTED | YES |
| TRIGGER CURRENT FOR OVERLOAD PROTECTION | ≥220 mA |
| CONTINUOUS LOAD CURRENT | ≤200 mA |
| OFF-STATE (LEAKAGE) CURRENT | <10 μA |
| NO-LOAD CURRENT | 5.5-9.5 mA |
| TIME DELAY BEFORE AVAILABILITY | ≤8 ms |
| POWER-ON EFFECT PROTECTION | INCORPORATED |
| REVERSE POLARITY PROTECTION | INCORPORATED |
| WIRE-BREAK PROTECTION | INCORPORATED |
| PROTECTION AGAINST TRANSIENTS | 2 kV, 1 ms, 1 kΩ |
| OPERATING TEMPERATURE | -25°C to +70°C (-13°F to +158°F) |
| ENCLOSURE | MEETS NEMA 1, 3, 4, 6, 13 AND IEC IP67 |
| SHOCK | 30 g, 11 ms |
| VIBRATION | 55 Hz, 1 mm AMPLITUDE (IN ALL 3 PLANES) |
| LED FUNCTION | RED: OUTPUT ENERGIZED |
| SENSING RANGE | 5 mm = .197" (NOMINAL) |
| SWITCHING FREQUENCY | 1500 Hz |
| REPEATABILITY | ≤2% of RATED OPERATING DISTANCE |
| EMBEDDABLE (SHIELDED) | NO |

| | | | | | |
|---|-----------------|--------------------------------------|-------------------|-----------------|---|
| MATERIAL BRASS BARREL | | 3RD ANGLE PROJECTION | | | TURCK INC 3000 CAMPUS DRIVE MINNEAPOLIS, MN 55441 PHONE: (763) 553-7300 |
| FINISH COPPER/NICKEL/ CHROME PLATING | | | | | |
| DRFT GMB | DATE 5/28/91 | PART NO./DESCR. Ni5-G12-AP6X 50MM | | | |
| DSGN | Y# | SIZE B | ID NO. 4635600 | REV | |
| TMI | | SCALE NONE | | BMP-C-D\4635600 | |
| DIMENSION UNITS: INCHES [MILLIMETERS] | | | | SHEET OF | |

| REV | DESCRIPTION | DRFT | DATE | ECO NO. |
|-----------|-------------|------|------|---------|
| REVISIONS | | | | |