

**Ordering number CN12644\_LENINA-S**

|                 |                        |             |            |
|-----------------|------------------------|-------------|------------|
| Family          | Lenina                 | FWHM        | 17 degrees |
| Type            | Pack                   | Efficiency  | 88 %       |
| LED             | Mega Zenigata (GW5DGC) | cd/lm       | -          |
| Color           | Metal                  | Gerber File | Available  |
| Diameter        | 74 mm                  |             |            |
| Height          | 45.6 mm                |             |            |
| Style           | Round                  |             |            |
| Optic Material  | PC                     |             |            |
| Holder Material | PC                     |             |            |
| Fastening       | Screw                  |             |            |
| Status          | Ready                  |             |            |

**Ordering number CN12645\_LENINA-M**

|                 |                        |             |            |
|-----------------|------------------------|-------------|------------|
| Family          | Lenina                 | FWHM        | 21 degrees |
| Type            | Pack                   | Efficiency  | 86 %       |
| LED             | Mega Zenigata (GW5DGC) | cd/lm       | -          |
| Color           | Metal                  | Gerber File | Available  |
| Diameter        | 74 mm                  |             |            |
| Height          | 45.6 mm                |             |            |
| Style           | Round                  |             |            |
| Optic Material  | PC                     |             |            |
| Holder Material | PC                     |             |            |
| Fastening       | Screw                  |             |            |
| Status          | Ready                  |             |            |

**Ordering number CN12648\_LENINA-M-DL**

|                 |                        |             |            |
|-----------------|------------------------|-------------|------------|
| Family          | Lenina                 | FWHM        | 22 degrees |
| Type            | Pack                   | Efficiency  | 78 %       |
| LED             | Mega Zenigata (GW5DGC) | cd/lm       | -          |
| Color           | Metal                  | Gerber File | Available  |
| Diameter        | 74 mm                  |             |            |
| Height          | 47.7 mm                |             |            |
| Style           | Round                  |             |            |
| Optic Material  | PC                     |             |            |
| Holder Material | PC                     |             |            |
| Fastening       | Screw                  |             |            |
| Status          | Ready                  |             |            |

**Ordering number CN12647\_LENINA-S-DL**

|                 |                        |             |            |
|-----------------|------------------------|-------------|------------|
| Family          | Lenina                 | FWHM        | 24 degrees |
| Type            | Pack                   | Efficiency  | 80 %       |
| LED             | Mega Zenigata (GW5DGC) | cd/lm       | 2.800      |
| Color           | Metal                  | Gerber File | Available  |
| Diameter        | 74 mm                  |             |            |
| Height          | 47.7 mm                |             |            |
| Style           | Round                  |             |            |
| Optic Material  | PC                     |             |            |
| Holder Material | PC                     |             |            |
| Fastening       | Screw                  |             |            |
| Status          | Ready                  |             |            |

**Ordering number CN12646\_LENINA-W**

|                 |                        |             |            |
|-----------------|------------------------|-------------|------------|
| Family          | Lenina                 | FWHM        | 41 degrees |
| Type            | Pack                   | Efficiency  | 86 %       |
| LED             | Mega Zenigata (GW5DGC) | cd/lm       | -          |
| Color           | Metal                  | Gerber File | Available  |
| Diameter        | 74 mm                  |             |            |
| Height          | 45.6 mm                |             |            |
| Style           | Round                  |             |            |
| Optic Material  | PC                     |             |            |
| Holder Material | PC                     |             |            |
| Fastening       | Screw                  |             |            |
| Status          | Ready                  |             |            |

**Ordering number CN12649\_LENINA-W-DL**

|                 |                        |             |            |
|-----------------|------------------------|-------------|------------|
| Family          | Lenina                 | FWHM        | 45 degrees |
| Type            | Pack                   | Efficiency  | 78 %       |
| LED             | Mega Zenigata (GW5DGC) | cd/lm       | -          |
| Color           | Metal                  | Gerber File | Available  |
| Diameter        | 74 mm                  |             |            |
| Height          | 47.7 mm                |             |            |
| Style           | Round                  |             |            |
| Optic Material  | PC                     |             |            |
| Holder Material | PC                     |             |            |
| Fastening       | Screw                  |             |            |
| Status          | Ready                  |             |            |

**Ordering number CN12962\_LENINA-XW**

|                 |                        |             |            |
|-----------------|------------------------|-------------|------------|
| Family          | Lenina                 | FWHM        | 73 degrees |
| Type            | Pack                   | Efficiency  | 90 %       |
| LED             | Mega Zenigata (GW5DGC) | cd/lm       | 0.630      |
| Color           | White                  | Gerber File | Available  |
| Diameter        | 74 mm                  |             |            |
| Height          | 45.6 mm                |             |            |
| Style           | Round                  |             |            |
| Optic Material  | PC                     |             |            |
| Holder Material | PC                     |             |            |
| Fastening       | Socket, socket         |             |            |
| Status          | Ready                  |             |            |

Reflector twist-and-locks into included base part that holds COB

**NOTE: The typical divergence will be changed by different color, chip size and chip position tolerance. The typical total divergence is the full angle measured where the luminous intensity is half of the peak value.**



## PRODUCT DATASHEET

### Lenina series

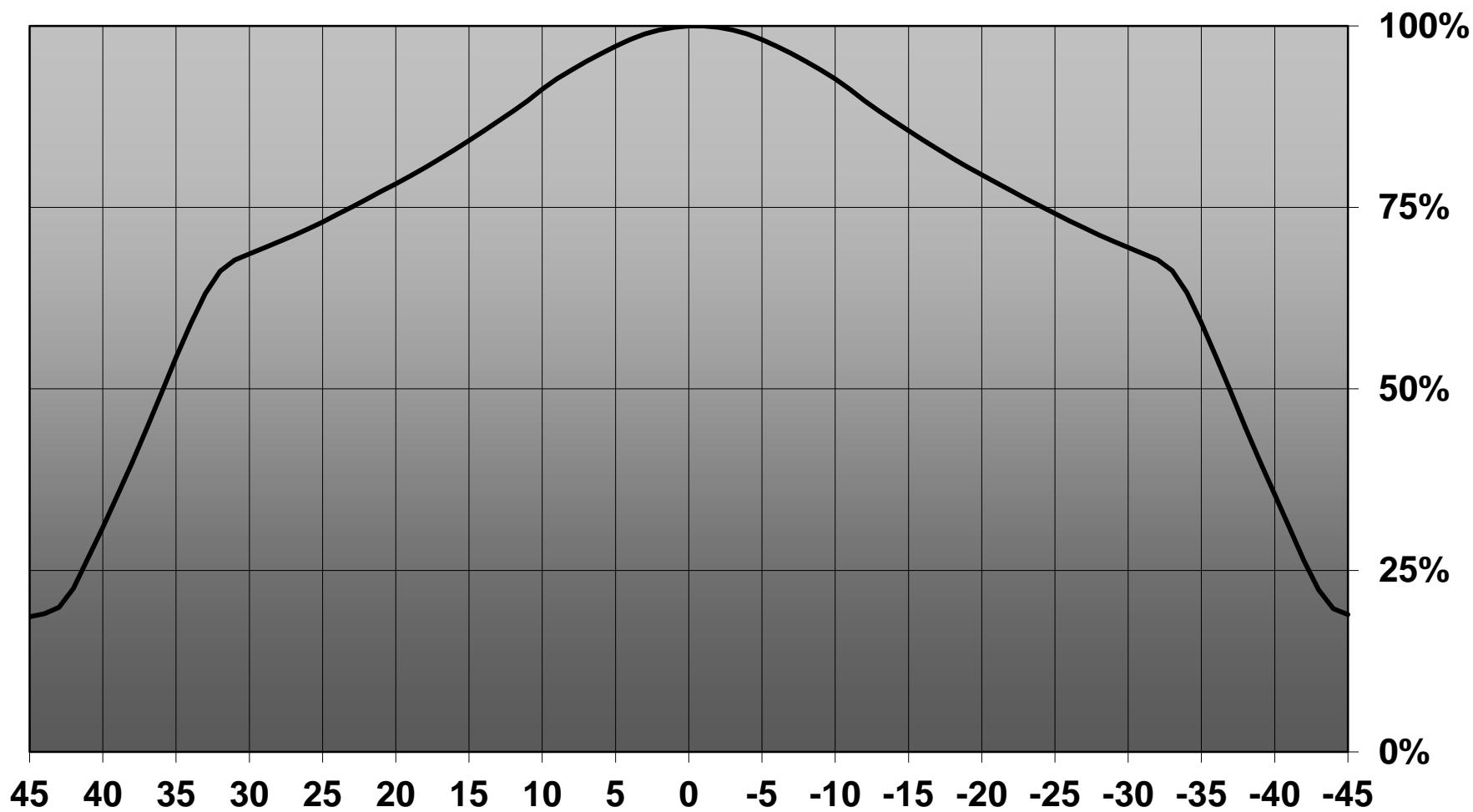
last update 27/9/2012

**SHARP**

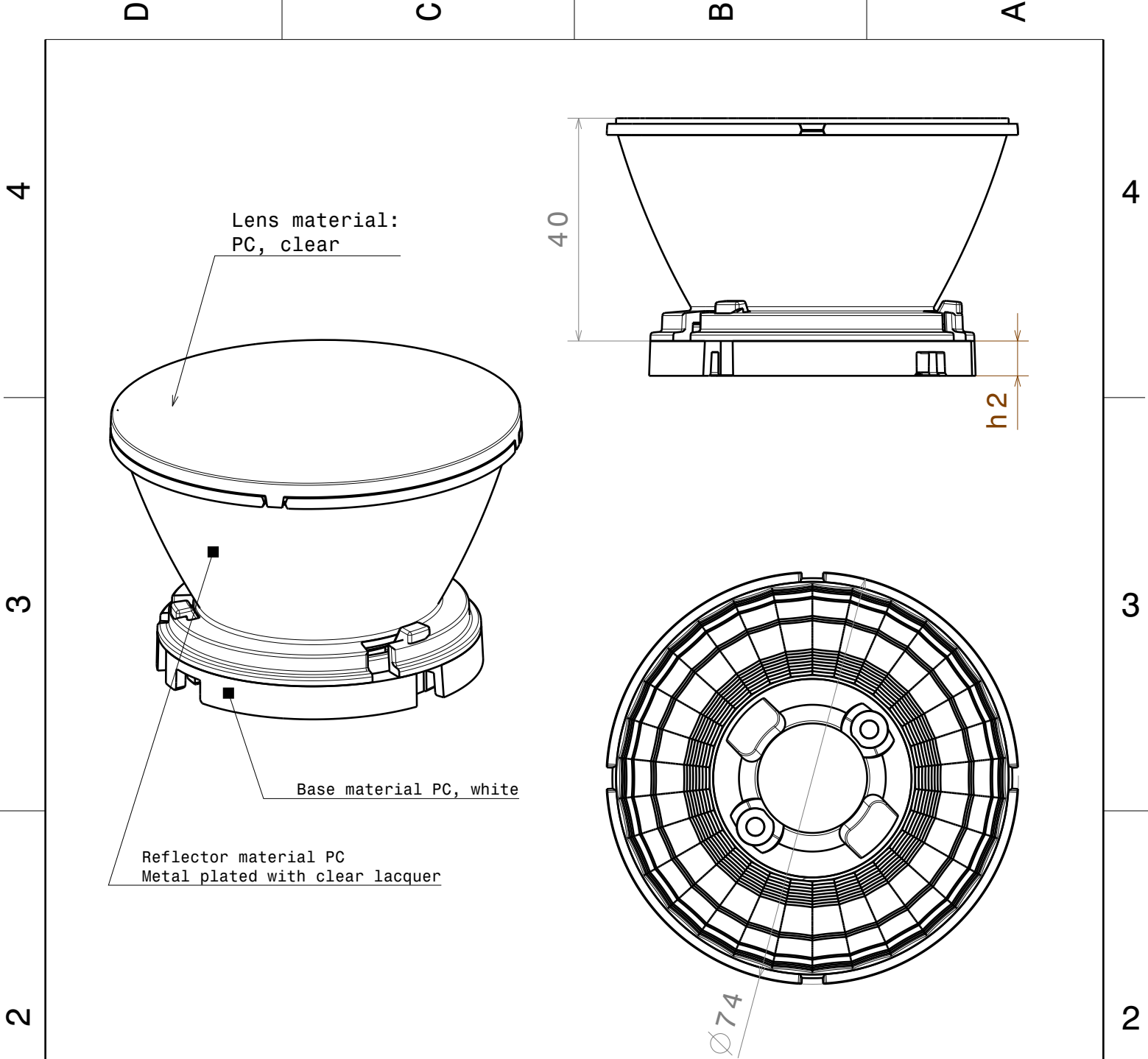
#### GENERAL INFORMATION

- Product series especially designed & optimized for Mega Zenigata (GW5DGC) series of LEDs.
- Special care taken to make light distribution as uniform as possible.
- Reflector is made of aluminium coated PC (120 degrees of Celcius / 248 degrees of Fahrenheit) with protective lacquer (110 degrees of Celcius / 230 degrees of Fahrenheit).
- Optic holder molded by high quality PC material (120 dergees of Celcius / 248 degrees of Fahrenheit).

### Absolute intensity of CN12962\_LENINA-XW




— CN12962\_LENINA-XW



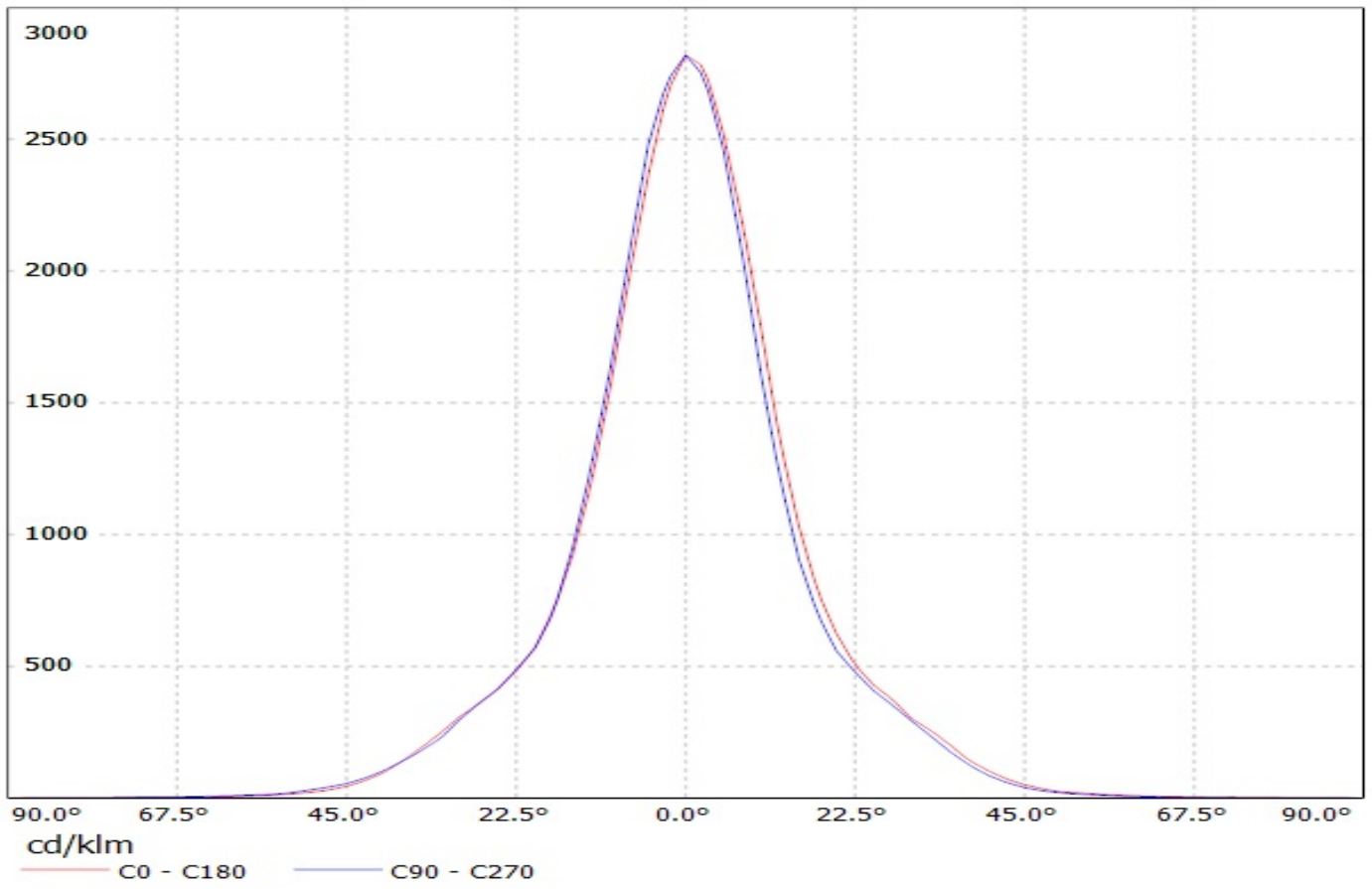
**NOTE:**

Using optional sublens, add 2.1mm to the system height

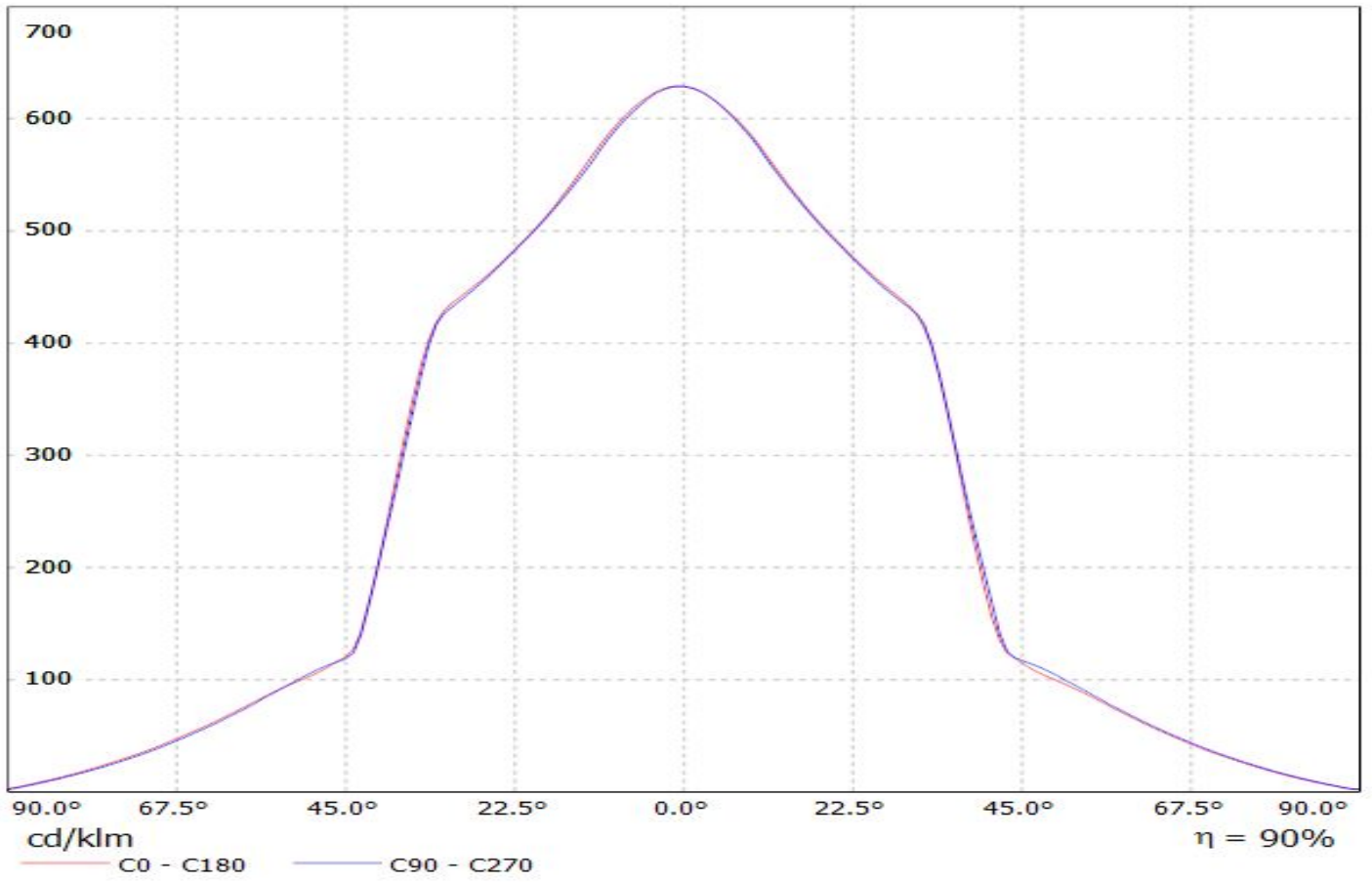
Dimension 'h2' varies from 4.5mm to 7mm depending on the LED specific base part

|   |  |   |  |   |  |
|---|--|---|--|---|--|
| This drawing is our property. It can't be reproduced or communicated without our written agreement. |  |  |  | Ledil Oy<br>Salorankatu 10<br>FIN-24240 SALO<br>Finland |  |
|   |  | <b>DRAWING TITLE</b>  |  |   |  |
| <b>DRAWN BY</b><br>pl   |  | <b>DATE</b><br>08.03.2012   |  | <b>Datasheet Lenina series</b>                          |  |
| <b>CHECKED BY</b>   |  | <b>DATE</b>   |  | <b>REV</b>  |  |
|   |  |   |  | <b>1</b>  |  |
| <b>DESIGNED BY</b><br>pl  |  | <b>DATE</b><br>08.03.2012   |  | <b>SCALE</b> 1:1  |  |
|   |  |   |  | <b>WEIGHT (g)</b>                                       |  |
|   |  |   |  | <b>SHEET</b> 1/1  |  |

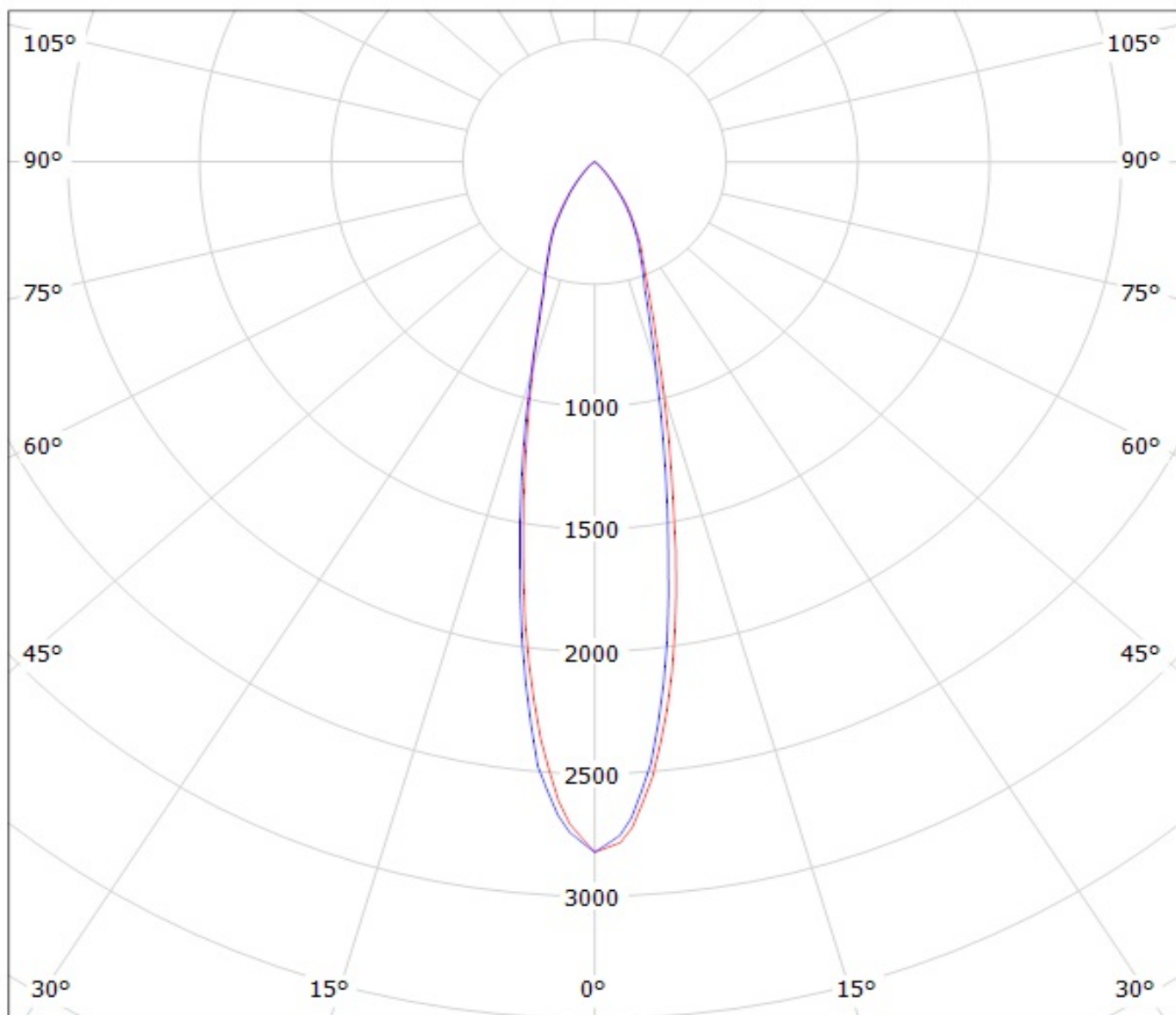
Luminaire: Ledil Oy CN12647\_LENINA-S-DL (Megazenigata 867lm @ 250mA) Efficiency=82%  
Lamps: 1 x Megazenigata 867lm @ 250mA



Luminaire: LEDIL OY CN12962\_LENINA-XW Eff.90.1%  
Lamps: 1 x MegaZen (884.6lm@250mA)



Luminaire: Ledil Oy CN12647\_LENINA-S-DL (Megazenigata 867lm @ 250mA) Efficiency=82%  
Lamps: 1 x Megazenigata 867lm @ 250mA



cd/klm

— C0 - C180

— C90 - C270

Luminaire: LEDIL OY CN12962\_LENINA-XW Eff.90.1%  
Lamps: 1 x MegaZen (884.6lm@250mA)

