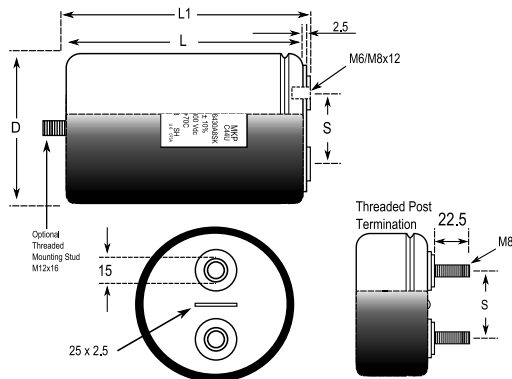


Capacitor, film, Metallized Polypropylene, 500 uF, +/-10% Tol, -40/+85C, DC Link



Dimensions (mm)		
Symbol	Dimension	Tolerance
D	85	+/-1
L	174	+/-2
S	31.7	+/-0.2

Notes:  
 -L1 = 180 +/-2

General Information	
Supplier:	KEMET
Dielectric:	Metallized Polypropylene
Application:	DC Link
Style:	Aluminum Can
Features:	Standard Duty
Mounting Type:	Bolt: M12x16
RoHS:	Yes

Specifications	
Capacitance:	500 uF
Voltage:	1100 V
Tolerance:	+/-10%
Rated Temperature:	75C
Temperature Range:	-40/+85C
Maximum dVdT:	12 v/us
Current/Ripple Current:	90 Amps (10kHz 40C)
Current/Ripple Current:	6000 Amps (Peak)
Resistance/ESR:	1.1 mOhms (10kHz)
Inductance:	80 nH
Miscellaneous:	Thermal Resistance = 3.4 C/W
Miscellaneous:	Weight = 1120 grams

Packaging Specifications	
Package Kind:	Bulk
Package Quantity:	5