

Datasheet

SPDT PCB Mount Non-Latching Relay

RS Stock 800-4555



Features

- Slim size (width 5mm)
- High breakdown voltage 4kV (between coil and contacts)
- Surge voltage up to 6kV (between coil and contacts)
- Clearance/creepage distance: 8mm
- High sensitive: 170mW
- Sockets available
- 1 Form A and 1 Form C configurations
- Environmental friendly product (RoHS compliant)
- Outline Dimensions: (28.0 x 5.0 x 15.0) mm

CONTACT DATA

Contact arrangement	1A, 1C
Contact resistance	100mΩ (at 1A 6VDC) Gold plated: 30mΩ (at 1A 6VDC)
Contact material	AgNi, AgSnO ₂
Contact rating (Res. load)	6A 250VAC/30VDC
Max. switching voltage	400VAC / 125VDC
Max. switching current	6A
Max. switching power	1500VA / 180W
Mechanical endurance	1 x 10 ⁷ ops
Electrical endurance	1A: 6x10 ⁴ ops (at 85°C) 1C: (NO) 3x10 ⁴ ops (at 85°C) (NC) 1x10 ⁴ ops (at 85°C)

COIL DATA

at 23°C

Nominal Voltage VDC	Pick-up Voltage VDC	Drop-out Voltage VDC	Max. Allowable Voltage VDC	Coil Resistance Ω
5	3.75	0.25	7.5	147 x (1±10%)
6	4.50	0.30	9.0	212 x (1±10%)
9	6.75	0.45	13.5	476 x (1±10%)
12	9.00	0.60	18	848 x (1±10%)
18	13.5	0.90	27	1906 x (1±15%)
24	18.0	1.20	36	3390 x (1±15%)
48	36.0	2.40	72	10600 x (1±15%)
60	45.0	3.00	90	16600 x (1±15%)

CHARACTERISTICS

Insulation resistance	1000MΩ (at 500VDC)	
Dielectric strength	Between coil & contacts	4000VAC 1 min
	Between open contacts	1000VAC 1 min
Operate time (at nomi.volt.)	8ms max.	
Release time (at nomi.volt.)	4ms max.	
Shock resistance	Functional	50m/s ² (5g)
	Destructive	1000m/s ² (100g)
Vibration resistance	10Hz to 55Hz 1mm DA	
Humidity	5% to 85% RH	
Ambient temperature	-40°C to 85°C	
Termination	PCB	
Unit weight	Approx. 5.4g	
Construction	Wash tight, Flux proofed	

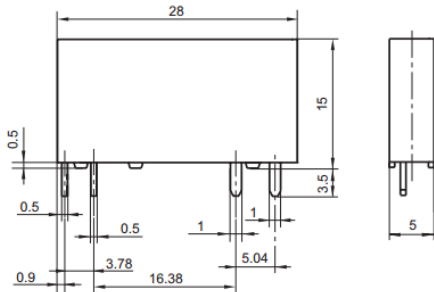
COIL

Coil power	5 to 24VDC: 170mW 48VDC, 60VDC: 210mW
------------	--

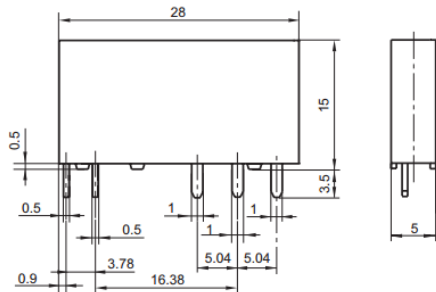
Outline Dimensions

1 Form A

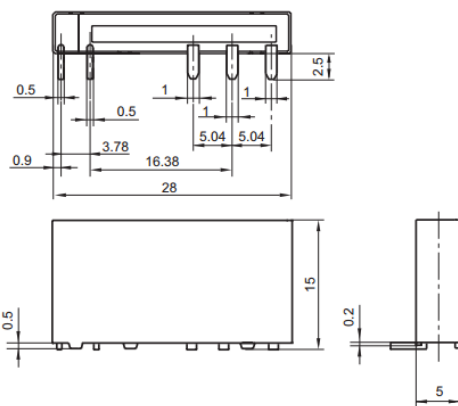
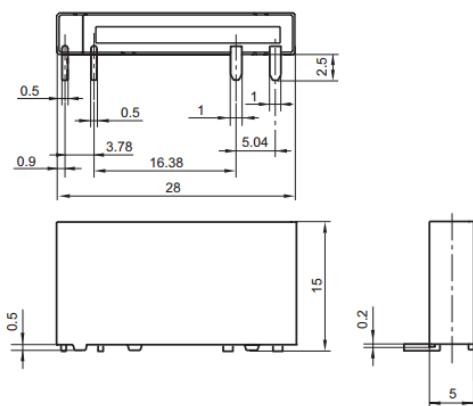
Vertical version



1 Form C



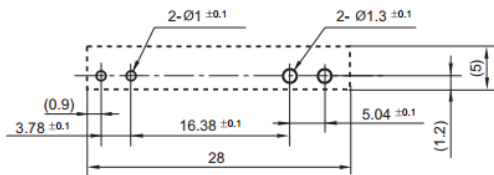
Flat pack version



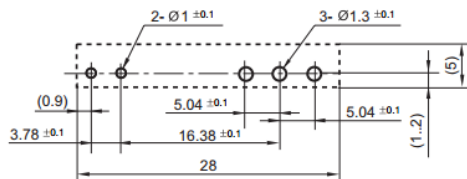
PCB Layout (Bottom view)

1 Form A

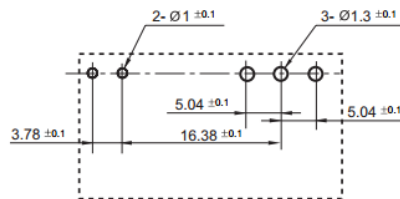
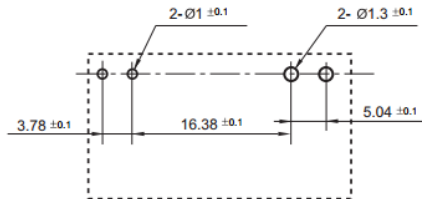
Vertical version



1 Form C

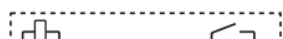


Flat pack version



Wiring Diagram (Bottom view)

1 Form A

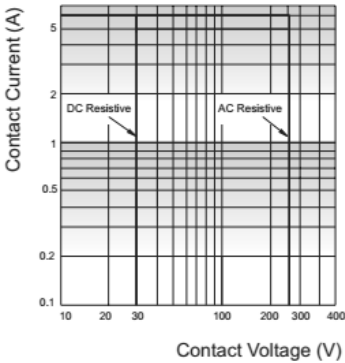


1 Form C

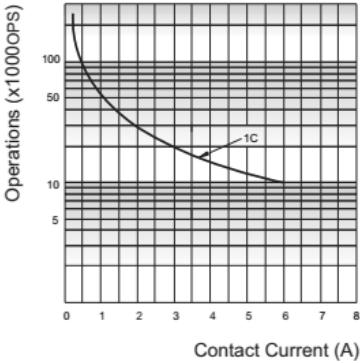


CHARACTERISTIC CURVES

MAXIMUM SWITCHING POWER



ENDURANCE CURVE



COIL TEMPERATURE RISE

