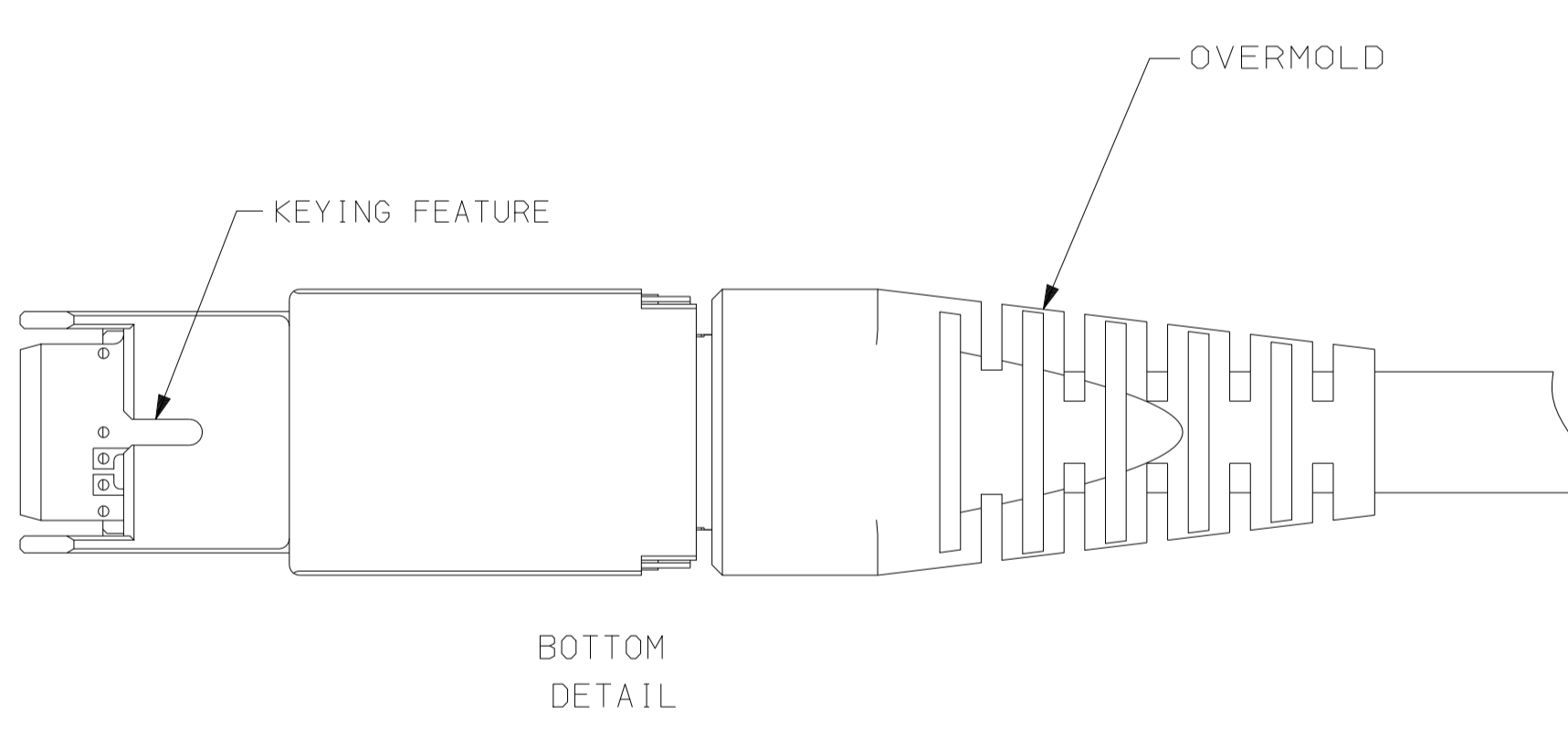
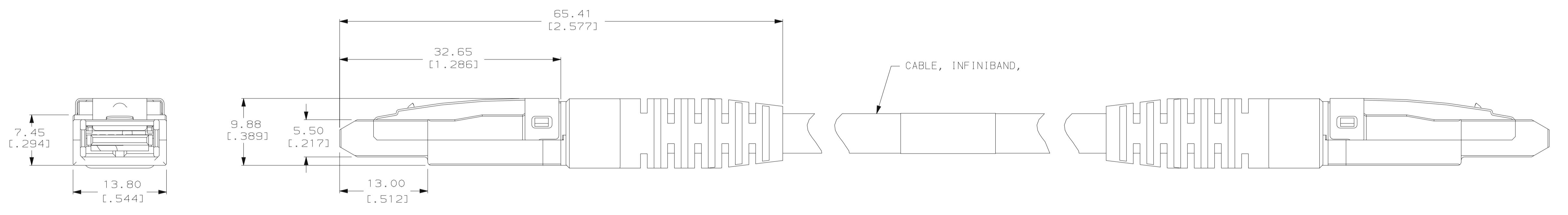
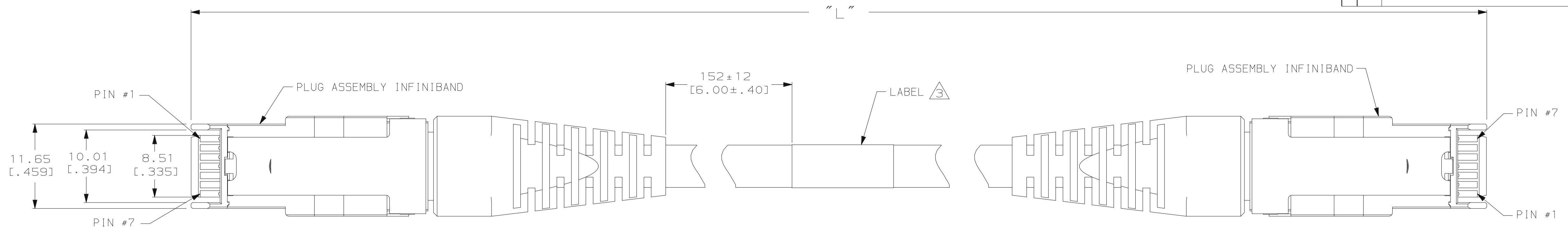


LOC		DIST		REVISIONS			
GP	00	SP	LTR	DESCRIPTION	DATE	DWN	APVD
		0		RELEASE -1 THRU -6	23JAN06	TS	DL



- CHARACTERISTIC IMPEDANCE: (SEE TABLE) (MEASURED DIFFERENTIALLY).
- LINE TO LINE SKEW (WITHIN A PAIR): LESS THEN 200 psec (MEASURED AT 50%).
- ASSY IDENTIFICATION LABEL TO BE LOCATED AS SHOWN, LABEL TO READ:
 

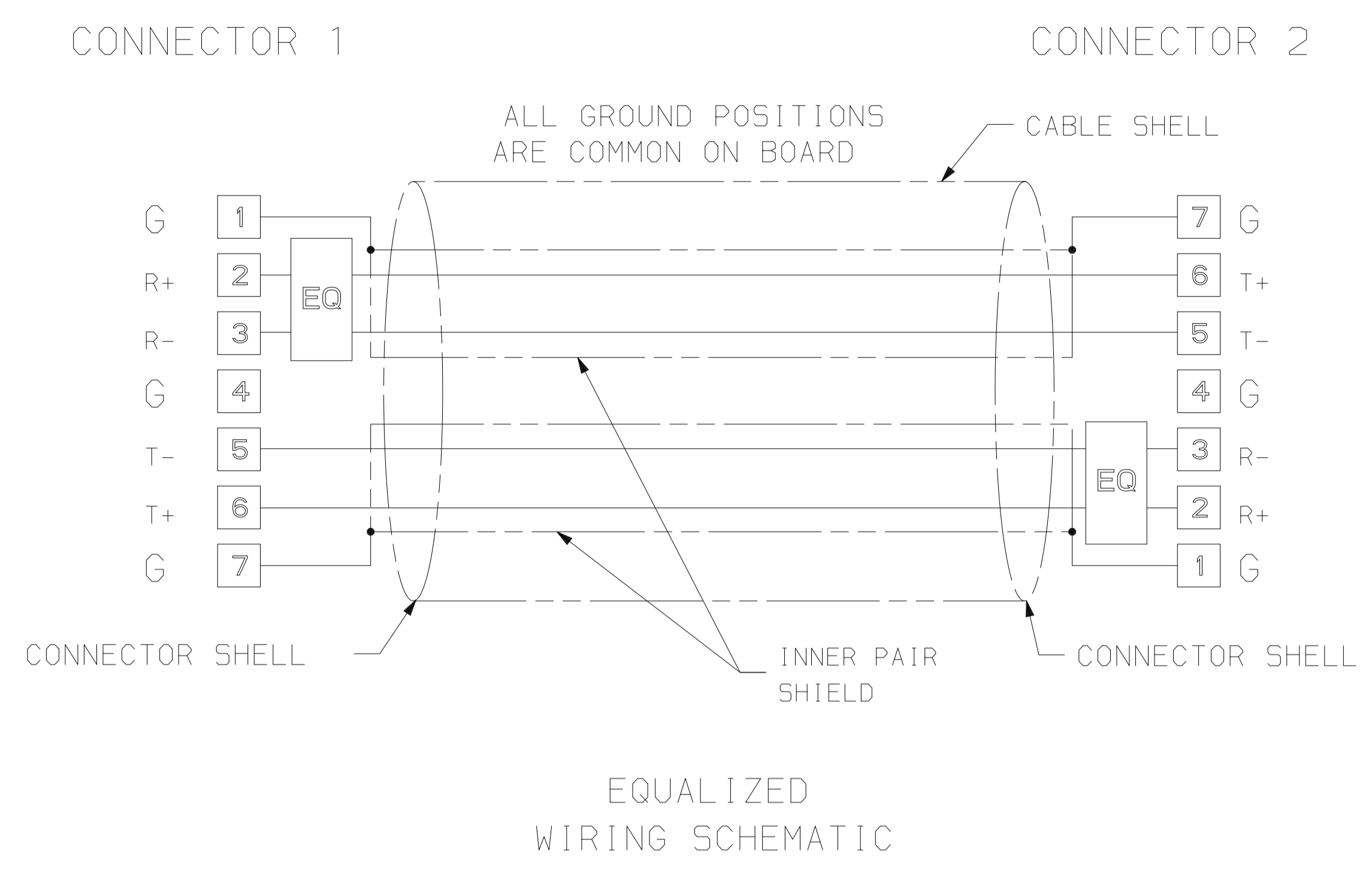
AMP
AMP PART NO.
DATE CODE (YEAR/WEEK) EX 0601
COUNTRY OF ORIGIN
- PRODUCT AND PROCESSING MEETS REQUIREMENTS OF TYCO ELECTRONICS STANDARD 230-702 2.2.A.

EQUALIZED	100 Ω	28	5M ± 0.07M	6364561-6
EQUALIZED	100 Ω	28	4M ± 0.07M	6364561-5
EQUALIZED	100 Ω	28	3M ± 0.07M	6364561-4
EQUALIZED	100 Ω	28	2M ± 0.07M	6364561-3
EQUALIZED	100 Ω	28	1M ± 0.04M	6364561-2
EQUALIZED	100 Ω	28	0.5M ± 0.04M	6364561-1
SCHEMATIC	IMPEDANCE	CABLE SIZE AWG	"L"	PART NUMBER

THIS DRAWING IS A CONTROLLED DOCUMENT.

DIMENSIONS: mm [INCHES]	TOLERANCES UNLESS OTHERWISE SPECIFIED:	DWN T. SMITH 15AUG01	15AUG01	<b>AMP</b> AMP Incorporated Harrisburg, PA 17105-3608
0 PLC ±.01	1 PLC ±.02	CHK D. DUPLER 15AUG01	15AUG01	
MATERIAL	FINISH	APVD D. DUPLER 15AUG01	NAME CABLE ASSEMBLY, PLUG, HSSDC2, INFINIBAND	RESTRICTED TO
		PRODUCT SPEC	SIZE A1	
		APPLICATION SPEC	CAGE CODE 00779	
		WEIGHT	DRAWING NO 6364561	
		CUSTOMER DRAWING	SCALE	SHEET 1 OF 2

LOC		DIST		REVISIONS			
GP	00	SP	LTR	DESCRIPTION	DATE	DWN	APVD
		-		SEE SHEET 1	-	-	-



THIS DRAWING IS A CONTROLLED DOCUMENT.		DWN T. SMITH 23JAN06	AMP Incorporated Harrisburg, PA 17105-3608
DIMENSIONS: mm [INCHES]		CHK D. LAWRENCE 23JAN06	
TOLERANCES UNLESS OTHERWISE SPECIFIED:		APVD D. LAWRENCE 23JAN06	NAME CABLE ASSEMBLY, PLUG, HSSDC2, INFINIBAND
0 PLC ±.01	1 PLC ±.02	PRODUCT SPEC	SIZE CAGE CODE DRAWING NO
2 PLC ±.03	3 PLC ±.04	APPLICATION SPEC	A1 00779 C- 6364561
4 PLC ±.05	ANGLES	RESTRICTED TO	
MATERIAL	FINISH	WEIGHT	CUSTOMER DRAWING
			SCALE - SHEET 2 OF 2 REV 0