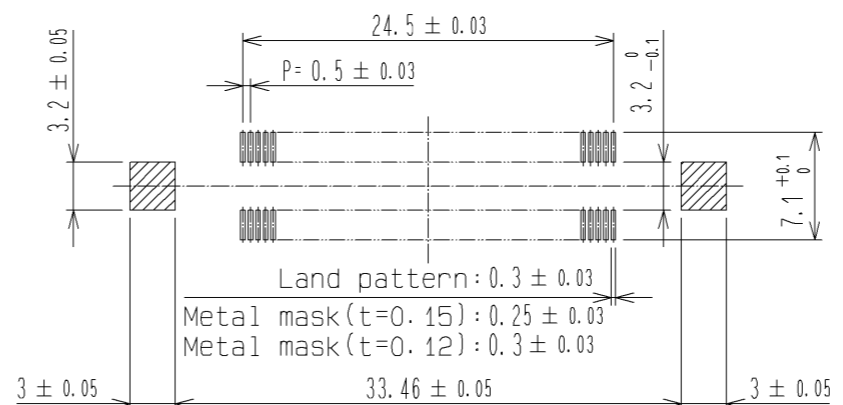
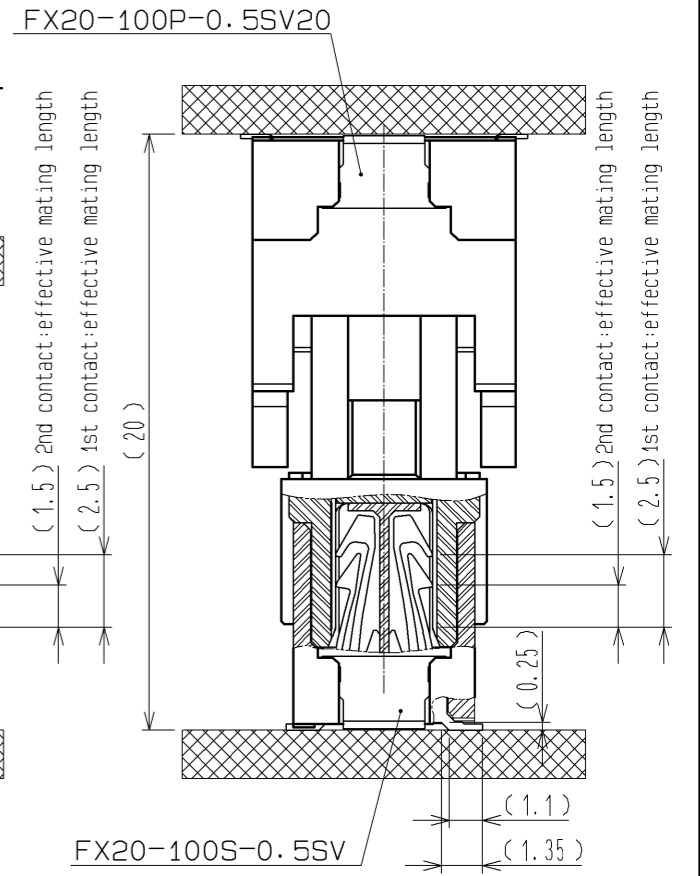


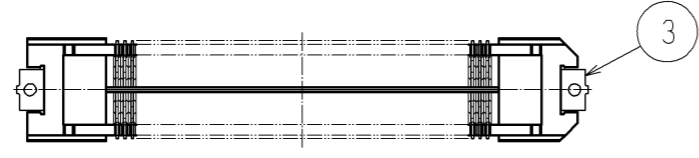
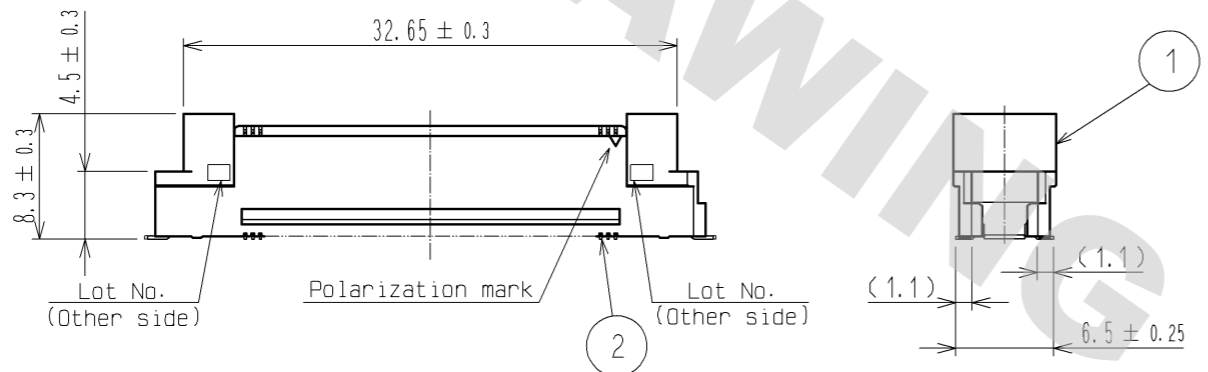
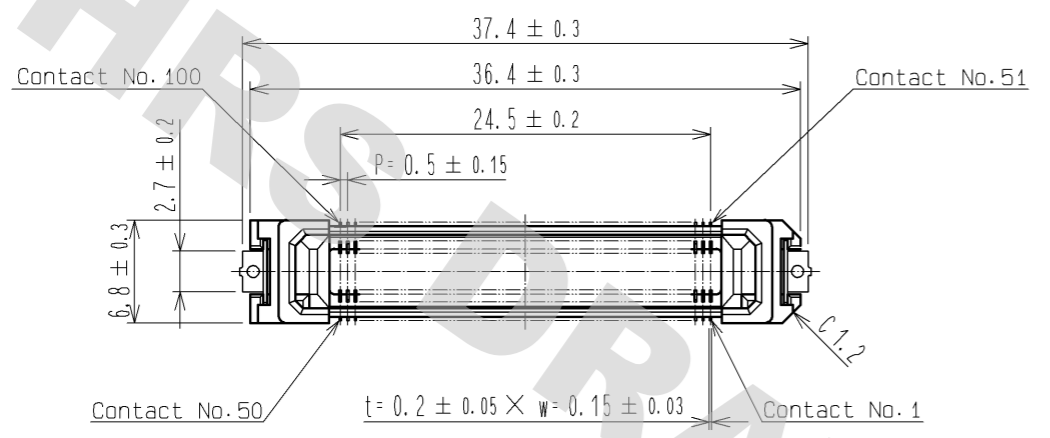
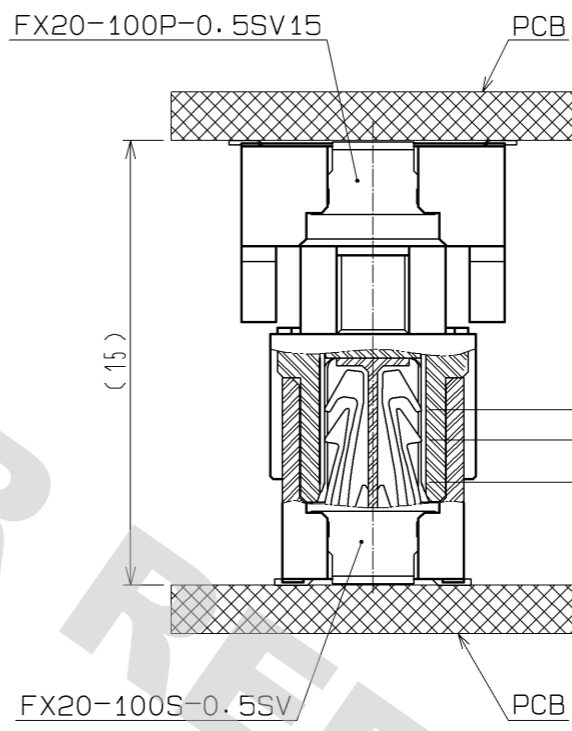
Recommended land pattern dimension of PCB



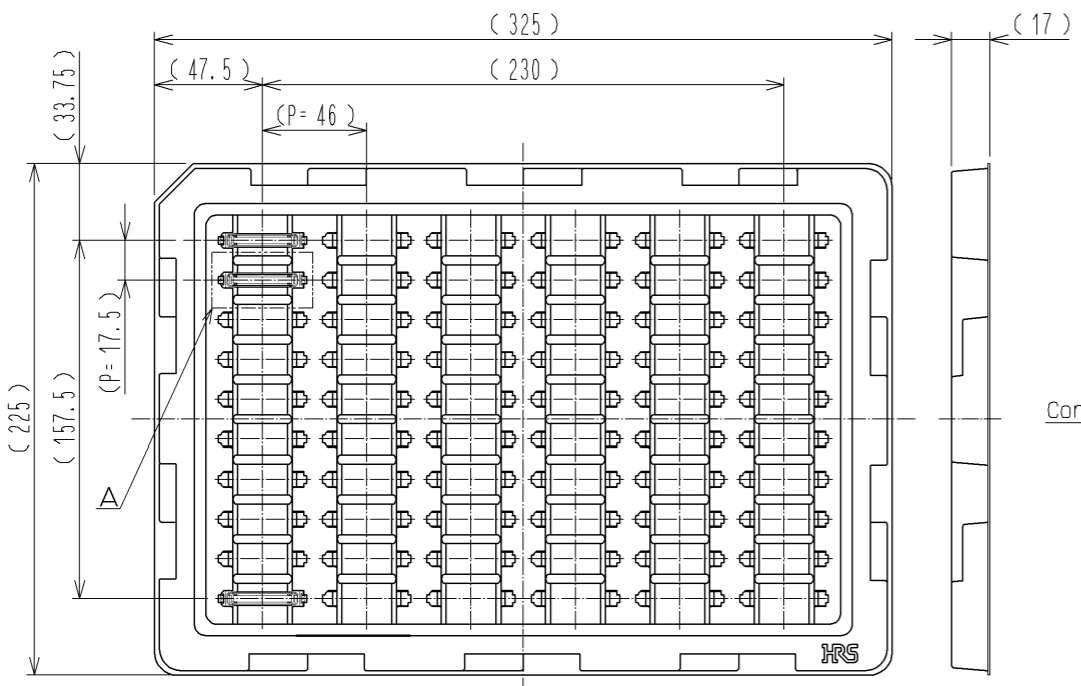
Drawing for mating (No scale)



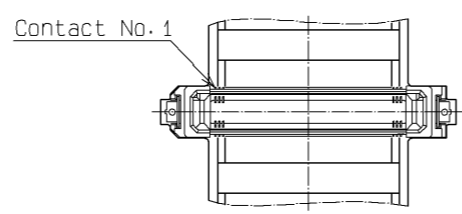
Drawing for mating (No scale)



2 Drawing for packing (No scale)



Δ (1:1)



- 1 Lead CO-Planarity is 0.1mm MAX.
- 2 This is packaged in tray. (60pcs/tray)
- 3 Blemish and hit mark can be occurred through out the manufacturing process which doesn't affect quality level.
- 4 Please note that excessive wrenching force could damage this connector. Please refer to the guideline for detailed regulations of the mating method.
- 5 The dimensions in parentheses are for references.

| | | | | | | | | |
|-----------------------|----------|----------|---------|-------------|--------------------------|--|---------|------|
| 1 | LCP | BLACK | UL94V-0 | 3 | BRASS | TIN-PLATING 1 μm | | |
| | | | | 2 | PHOSPHOR BRONZE | CONTACT AREA: GOLD 0.1 μm LEAD AREA: GOLD 0.03 μm UNDER PLATING: NICKEL 1 μm | | |
| NO. | MATERIAL | FINISH | REMARKS | NO. | MATERIAL | FINISH | REMARKS | |
| UNITS | mm | SCALE | 2:1 | COUNT | DESCRIPTION OF REVISIONS | DESIGNED | CHECKED | DATE |
| APPROVED: HS. OKAWA | | 13.10.07 | | DRAWING NO. | | EDC3-336341-00 | | |
| CHECKED: KI. HIROKAWA | | 13.10.07 | | PART NO. | | FX20-100S-0.5SV | | |
| DESIGNED: TS. OONO | | 13.10.07 | | CODE NO. | | CL570-1104-3-00 | | |
| DRAWN: TS. OONO | | 13.10.07 | | | | | | |

DRAWING FOR REFERENCE: This is subject to change without notice 12/05/2013