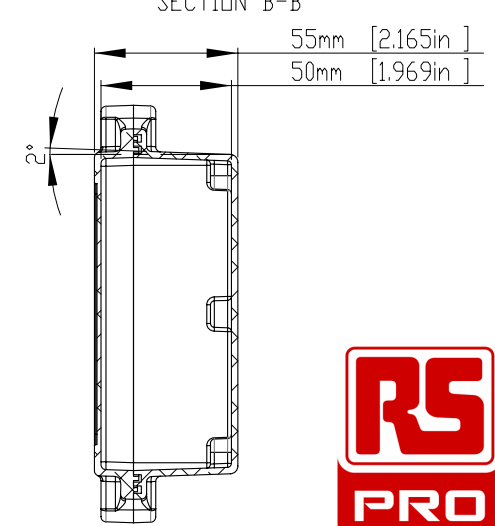
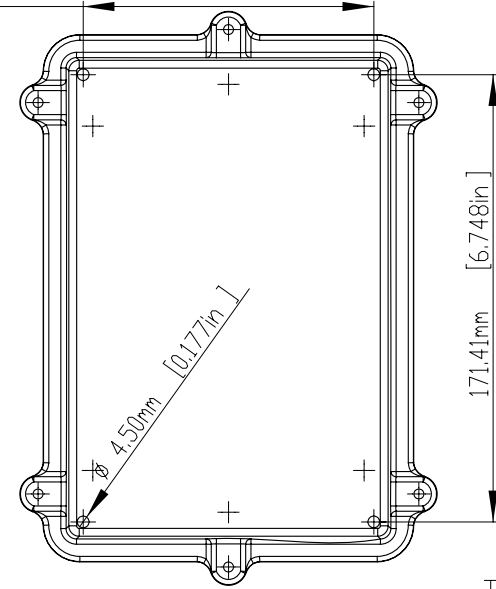
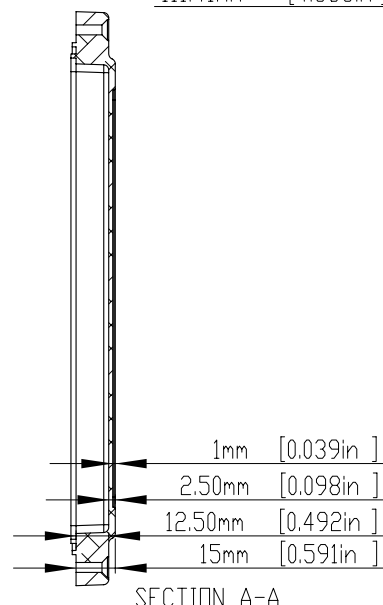
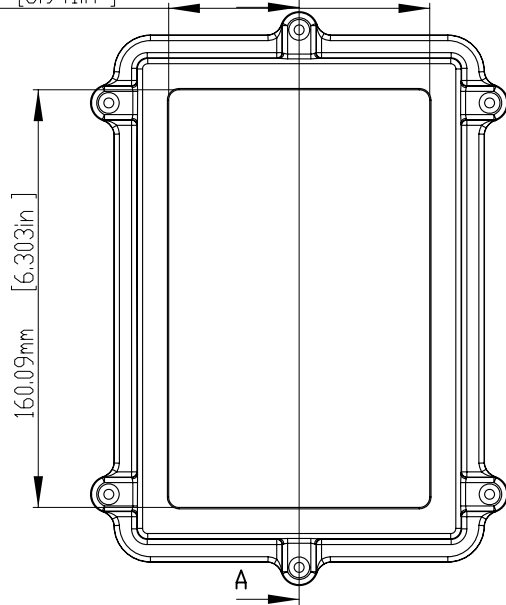


100.09mm [3.941in]

A

111.41mm [4.386in]



TOLERANCES: +/- 0.30 mm (+/- 0.012in)

繪圖	DRA'D BY	日期	DATE	材質	MATE.	圖名TITLE:	圖號DWG NO:	版次REVISID:
	JACKY		2010/1/20	ALUMINIUM ALLOY ADC-12		HQ029		A

ITEM NO	DESCRIPTION
HQ029	NATURAL ALUMINIUM BOX<WITOUT THE GASKET>
HQ029S	@@ IP67 RATING @@<WITH THE SILICON GASKET>
HQ029EMS	@@ IP67 RATING @@<WITH THE SILICON & SHIELDED GASKET>

**MATERIAL:** ALUMINUM ALLOY #ADC-12

**FINISH:** NATURAL (NO SUFFIX)  
GRAY (SUFFIX -LG)  
BLACK (SUFFIX -BK)

- 1) SIX(6) M4 x 20mm (0.787") LG. SCREWS SUPPLIED FOR ASSEMBLY OF COVER TO BODY.
- 2) ALL HOLE DIAMETERS HAVE ±0.10mm TOLERANCE  
ALL OTHER DIMENSIONS HAVE ±0.30 mm TOLERANCE



繪圖	DRA'D BY	日期	DATE	材質	MATE.	圖名TITLE:	圖號DWG NO:	版次REVISID:
	JACKY		2010/1/20		ALUMINIUM ALLOY ADC-12	HQ029		A