

### DETAILS

<b>Product Number</b>	CA13688_STRADA-SQ-T3
<b>Family</b>	Strada-SQ
<b>Type</b>	Assembly
<b>Color</b>	clear
<b>Diameter</b>	25 x 25 mm
<b>Height</b>	8,4 mm
<b>Style</b>	square
<b>Optic Material</b>	PMMA
<b>Holder Material</b>	
<b>Fastening</b>	pin, tape
<b>Status</b>	ready
<b>ROHS Compliant</b>	Yes
<b>Date Updated</b>	3/02/2015



### OPTICAL PROPERTIES

LED	Viewing Angle	Light Beam	Efficiency	cd/lm	Connector
MHB-A	sim: Asym	Asymmetric	-	sim: 0.000	-
XHP50	Asymmetric deg	Asymmetric	94 %	0.710	-
LUXEON MZ	Asym deg	Asymmetric	91 %	0.840	-
LUXEON M	Asymmetric deg	Asymmetric	92 %	0.500	-

4

3

2

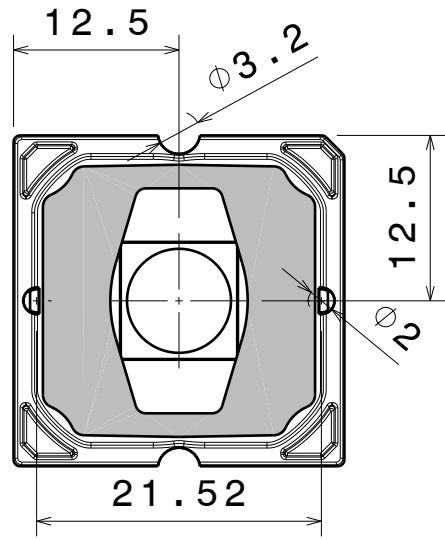
1

4

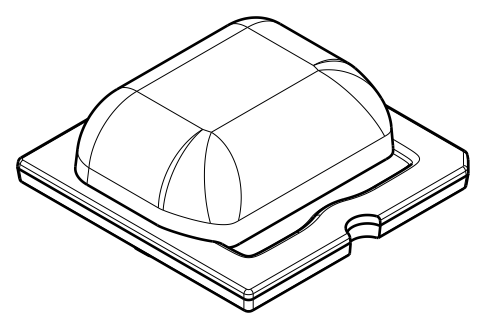
3

2

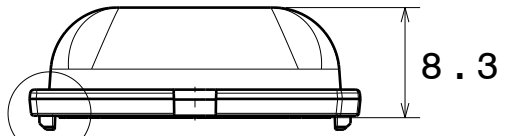
1



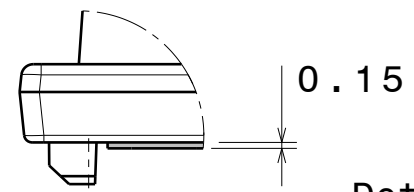
c / c Bottom view



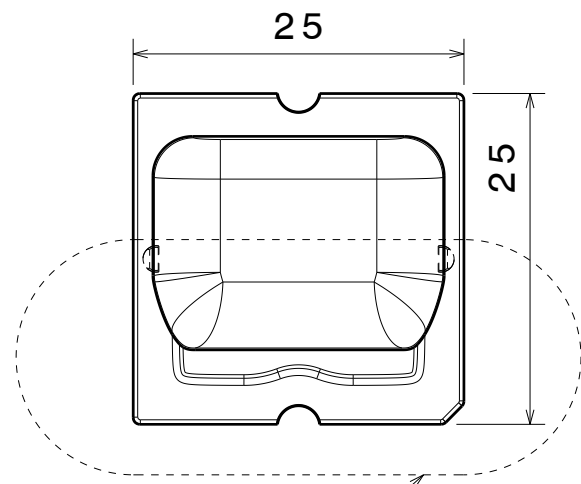
Isometric view



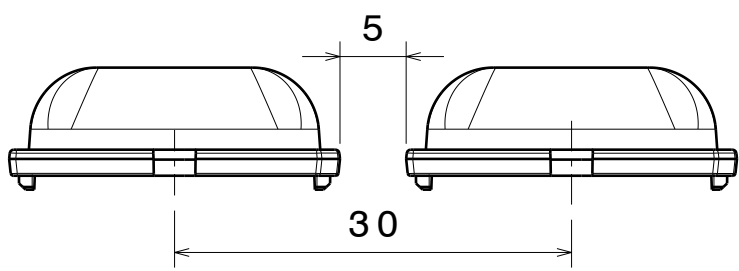
Front view



Detail B



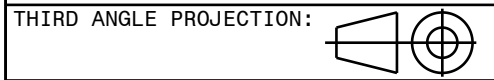
Beam direction Top view



Minimum spacing c / c

Tolerances if not otherwise shown  
 According to DIN ISO 2768-1  
 Linear measures:  
 Up to 30mm class M, otherwise class C.  
 According to DIN ISO 2768-2  
 Form and position: class L

**LEDiL** LediL Oy  
 Salorankatu 10  
 FIN 24240 SALO  
 Finland



DRAWING TITLE  
**STRADA-SQ-T3 Datasheet**

This drawing is the property of LEDiL Oy. It may not be reproduced, copied or communicated without a written agreement with LEDiL Oy."

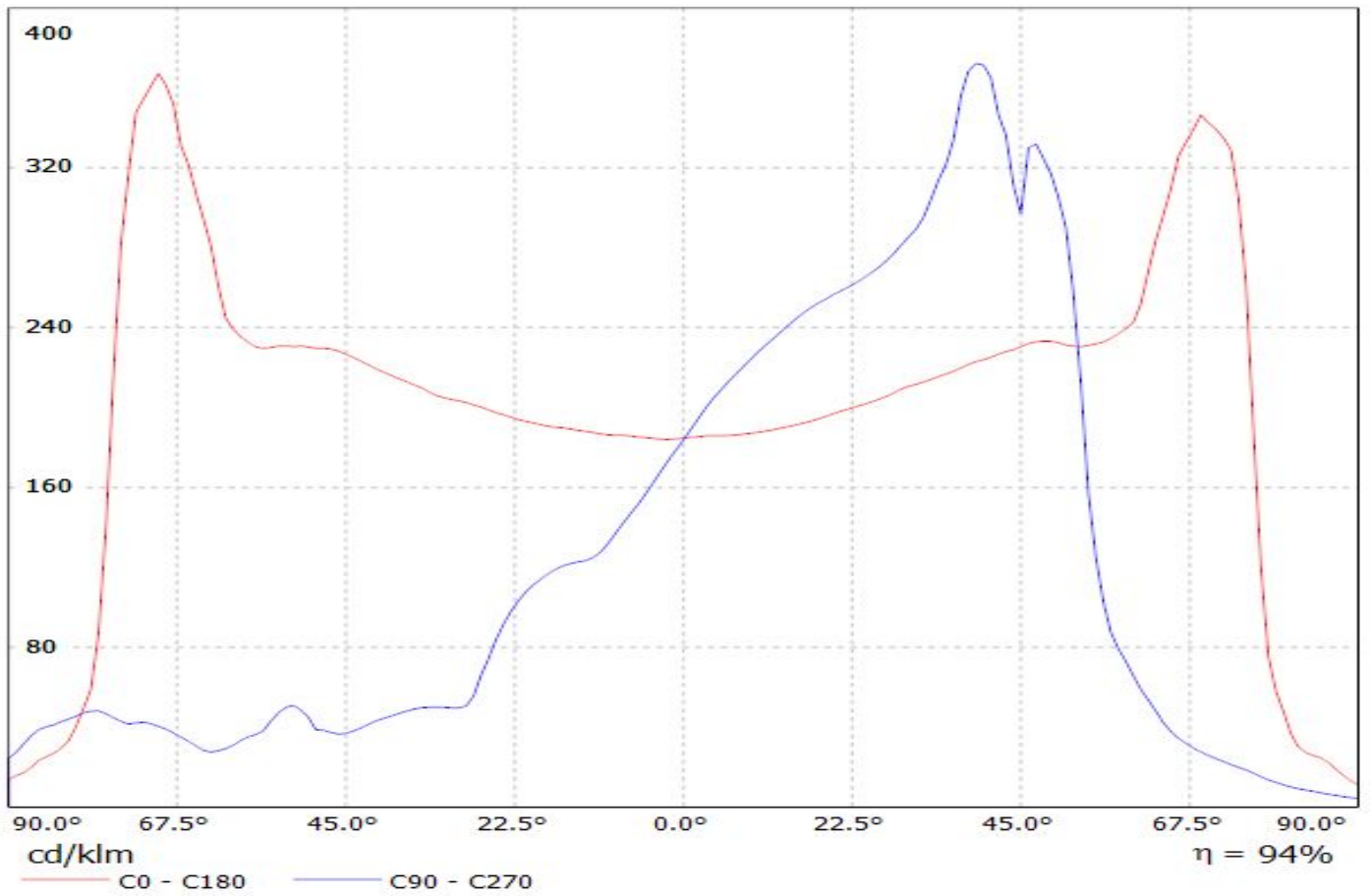
SIZE	PART NUMBER		
A4	-		

SCALE	7:4	WEIGHT	-	SHEET	1/1
-------	-----	--------	---	-------	-----

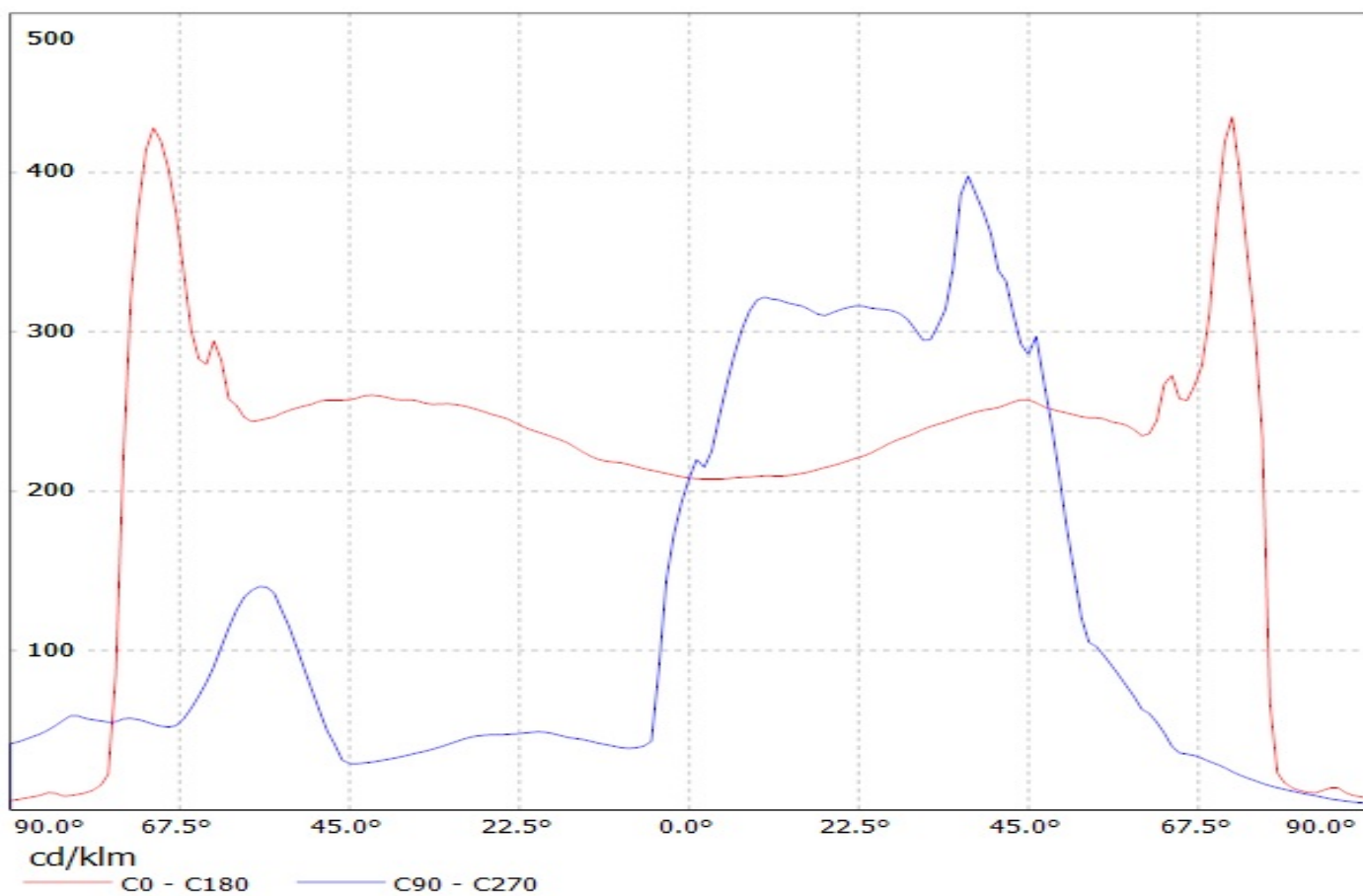
D

A

Luminaire: LEDiL Oy CA13688\_STRADA-SQ-T3\_(CREE\_XHP50\_COOLWHITE)  
Lamps: 1 x CREE\_XHP50\_COOLWHITE\_242.798@0.250A\_P=1.42658W\_I=0.2499A

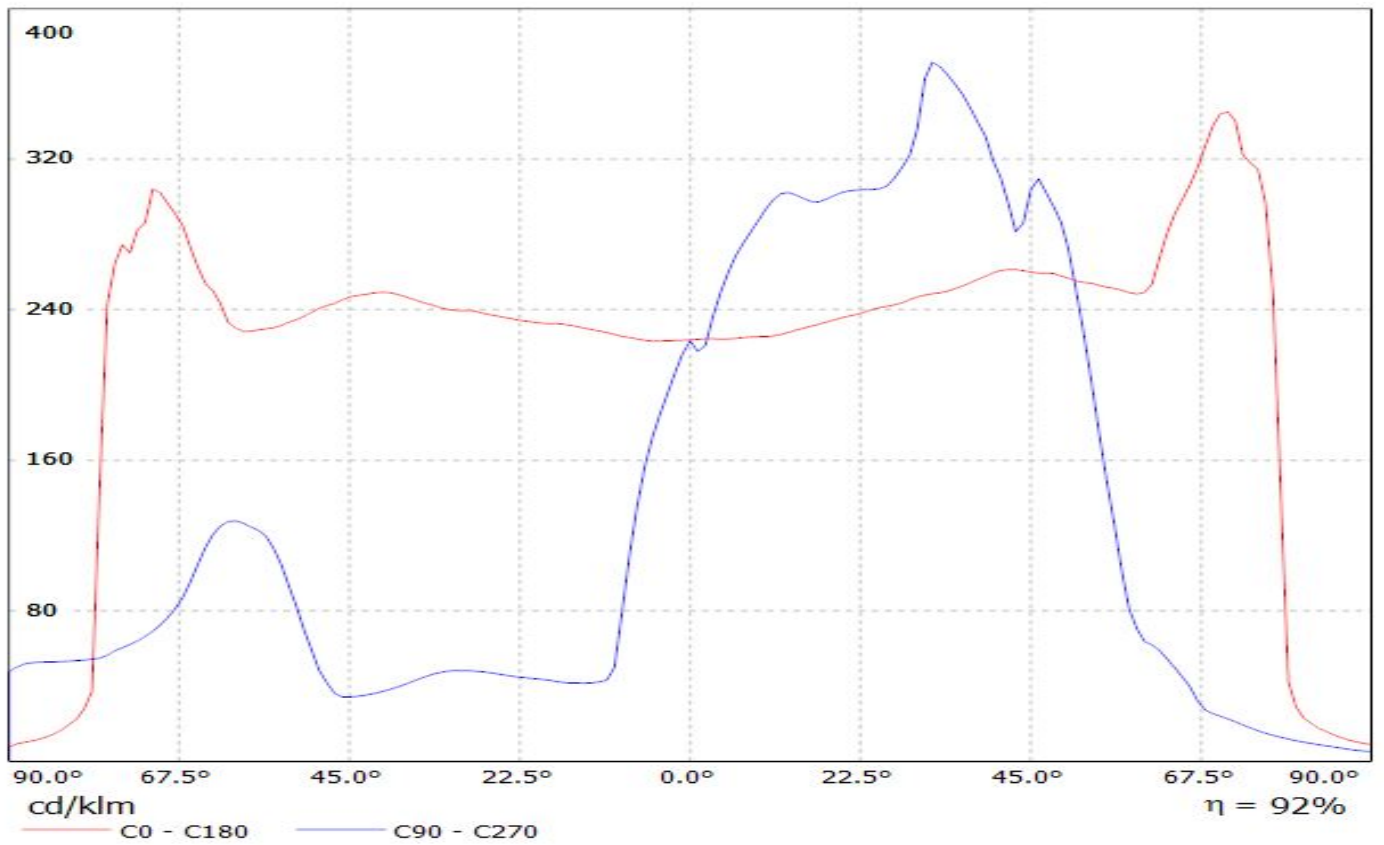


Luminaire: LEDiL Oy CA13688\_STRADA-SQ-T3\_(Luxeon\_MZ) Eff: 91%  
Lamps: 1 x LUXEON-MZ\_263.073lm@250mA\_P=2.7399W\_I=249.9mA

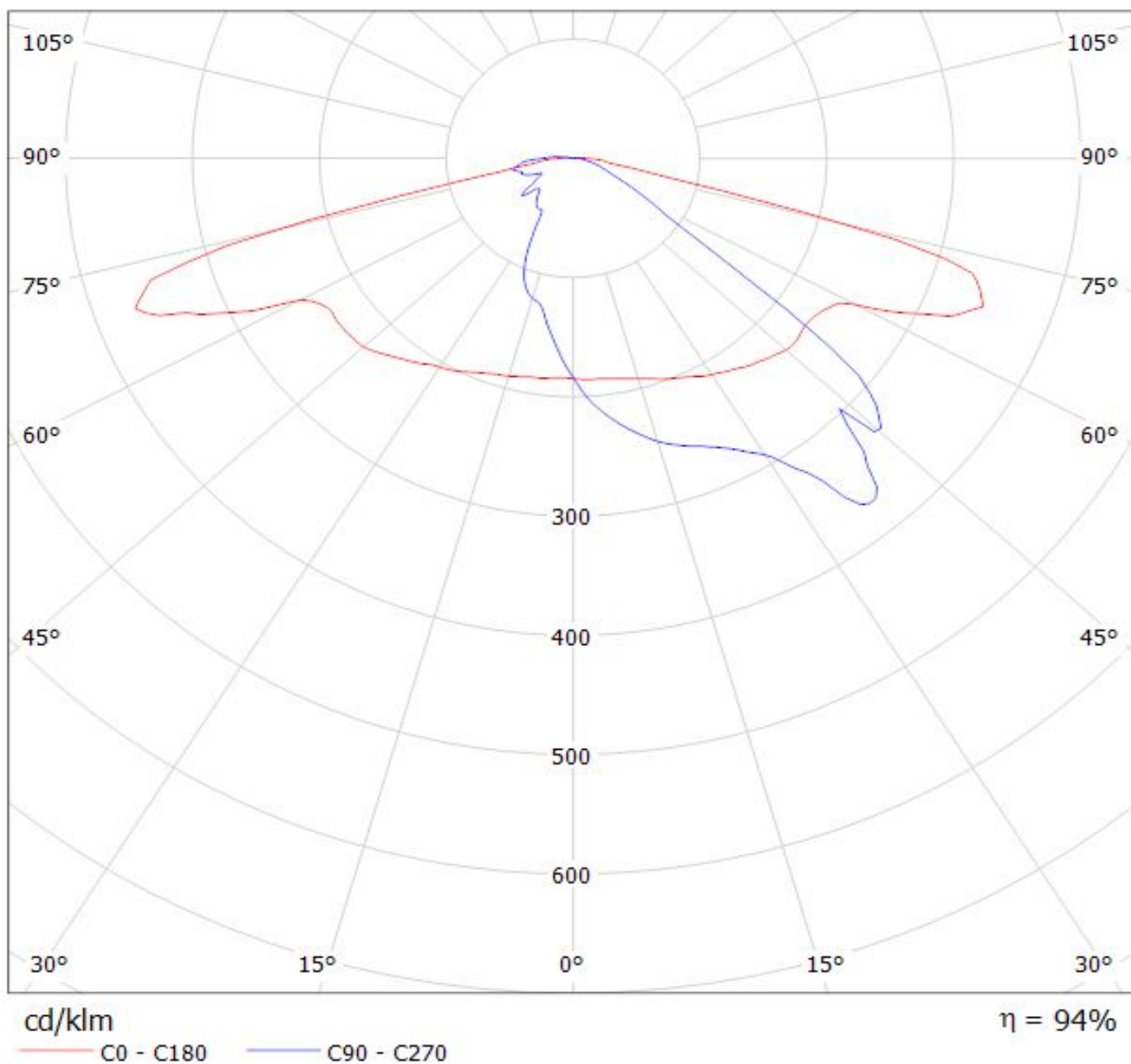


# LEDiL Oy CA13688\_STRADA-SQ-T3\_(LUXEON\_M) Eff.91.7% / LDC (Linear)

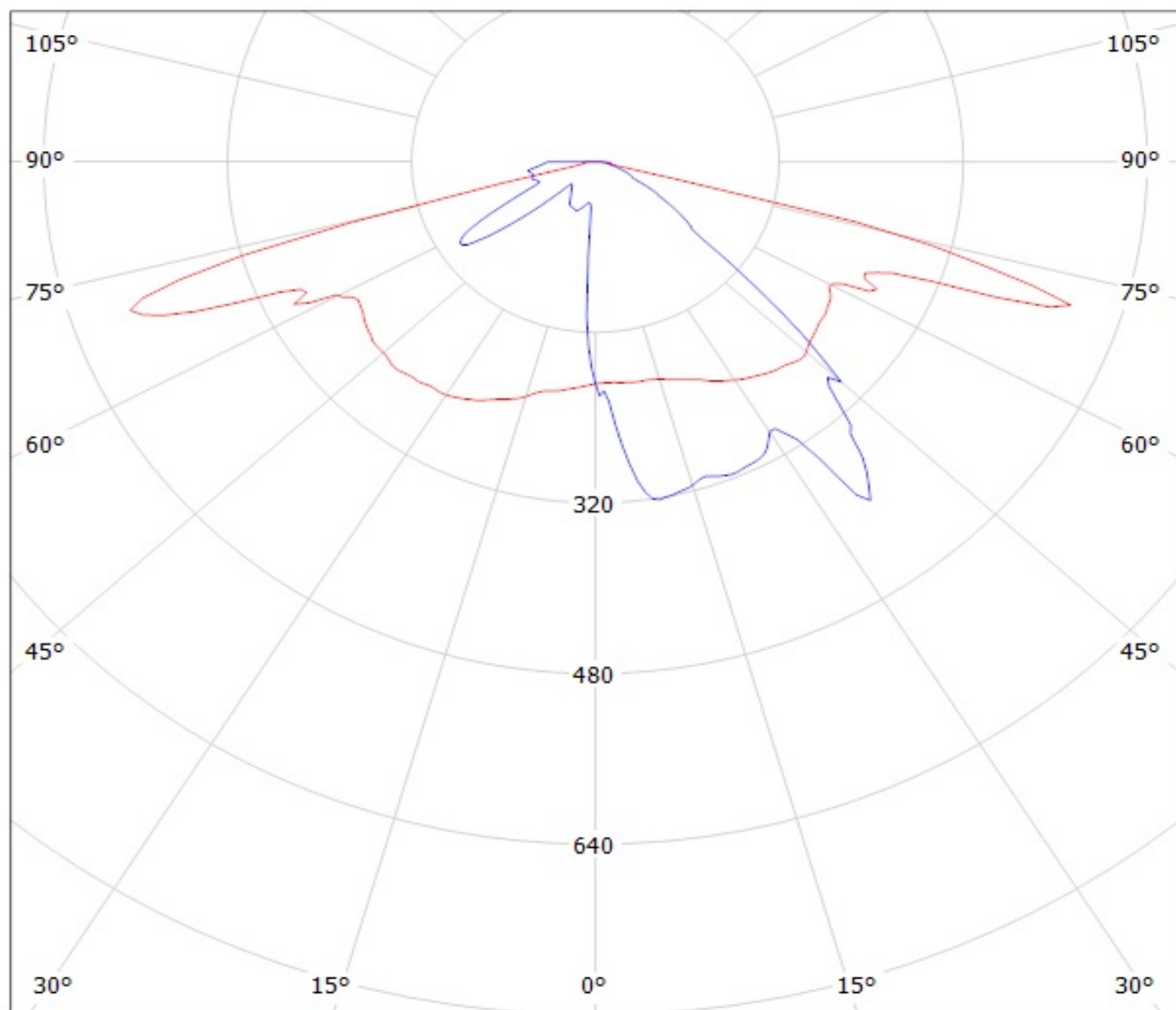
Luminaire: LEDiL Oy CA13688\_STRADA-SQ-T3\_(LUXEON\_M) Eff.91.7%  
Lamps: 1 x LUXEON\_M\_350.373lm@250mA\_CCT=4092K\_P=2.73116W\_I=249.9mA



Luminaire: LEDiL Oy CA13688\_STRADA-SQ-T3\_(CREE\_XHP50\_COOLWHITE)  
Lamps: 1 x CREE\_XHP50\_COOLWHITE\_242.798@0.250A\_P=1.42658W\_I=0.2499A



Luminaire: LEDiL Oy CA13688\_STRADA-SQ-T3\_(Luxeon\_MZ) Eff: 91%  
Lamps: 1 x LUXEON-MZ\_263.073lm@250mA\_P=2.7399W\_I=249.9mA



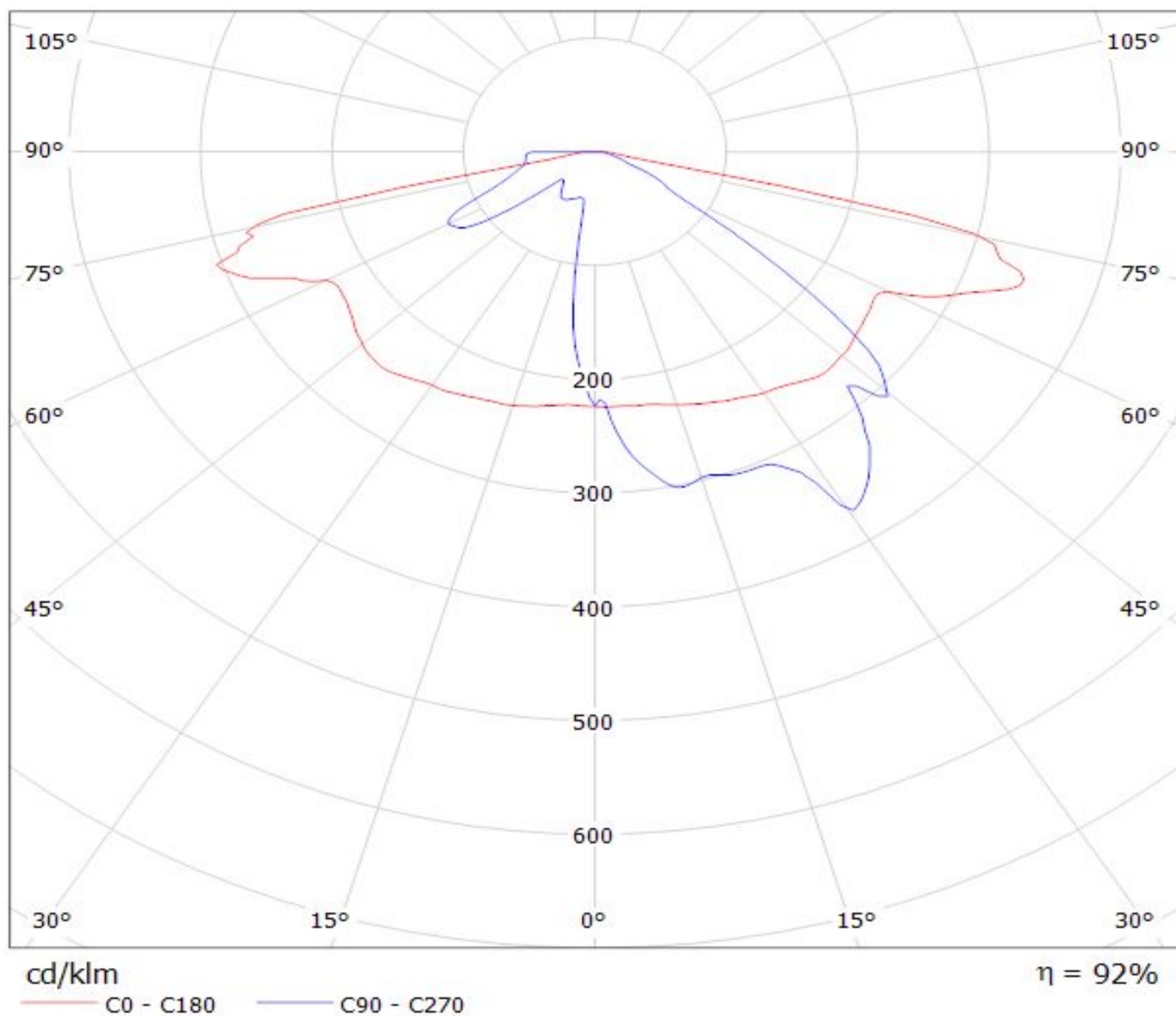
cd/klm

— C0 - C180    — C90 - C270

# LEDiL Oy CA13688\_STRADA-SQ-T3\_(LUXEON\_M) Eff.91.7% / LDC (Polar)

Luminaire: LEDiL Oy CA13688\_STRADA-SQ-T3\_(LUXEON\_M) Eff.91.7%

Lamps: 1 x LUXEON\_M\_350.373lm@250mA\_CCT=4092K\_P=2.73116W\_I=249.9mA



**NOTE: The typical divergence will be changed by different color, chip size and chip position tolerance. The typical total divergence is the full angle measured where the luminous intensity is half of the peak value.**