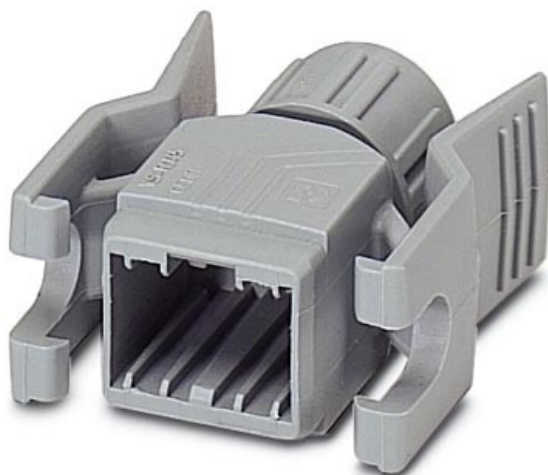


Please note that the data given here has been taken from the online catalog. For comprehensive information and data, please refer to the user documentation at <http://www.download.phoenixcontact.com>. The General Terms and Conditions of Use apply to Internet downloads.

▶ Extract from the online catalog



RJ45 sleeve housing, IP20, for pin insert VS-08-ST-RJ45, with push-pull interlocking for panel mounting frames, inverted design, for Factory Line modular managed switches, for cable cross section 5.0 mm ... 6.5 mm

Order No.	1652295
Ord designation	VS-08-T-G-RJ45/IP20
EAN	4017918936174
Pack	5 Pcs.
Customs tariff	85369010
Weight/Piece	0.0061 KG
Catalog page information	Page 168 (PC-2007)

▶ Product notes

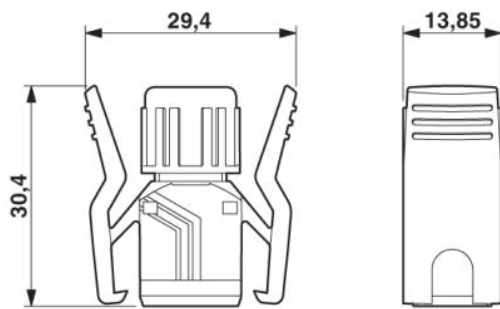
WEEE/RoHS-compliant since: 12/01/2005



IMPORTANT : This date is valid for Customers in Germany only. Date Format is MM/DD/YYYY. Please contact your local in-country Phoenix Contact location or designated business partner for a Logistics Compliant date in your area. In order to guarantee delivery of RoHS-Compliant product, please purchase Phoenix Contact parts from authorized Phoenix Contact representatives and distributors.

▶ Drawings

Dimensioned drawing



▶ Accessories

Item	Designation	Description
General		
1688573	VS-08-ST-RJ45	RJ45 pin insert, CAT5e, 8-pos., shielded, IDC connection method, for litz wires AWG 26 and solid wires AWG 26 ... 24

► Address

PHOENIX CONTACT GmbH & Co. KG
Flachsmarktstr. 8
32825 Blomberg
Germany
Phone +49 5235 3 00
Fax +49 5235 3 41200
<http://www.phoenixcontact.de>
Phoenix Contact
Technical modifications reserved;