

LED Directional

GU10 5.5 Watt Dimmable and 3.5 Watt



Product information

This new range of highly competitive LED GU10 products consume only 5.5W and 3.5W respectively and offer a fantastic energy saving alternative to 50W and 35W Halogen GU10 lamps.

Features & Benefits

- Total lumens: up to 240 (3.5W) and up to 350 (5.5W)
- Three colour temperatures: 2700K, 3000K, 4000K
- Long lifetime: up to 25000 hours (L70/B50)

- EN 62560: Self-ballasted LED lamp for general lighting services voltage 50~250V-safety specification
- IEC 62471: Photo biological safety of lamps and lamp systems
- IEC 60061: Lamp Caps and holders together with gauges for the control of interchangeability and safety
- IEC 60630: Maximum lamp outlines for incandescent lamps
- IEC60357: Tungsten halogen lamps (non-vehicle) - Performance specifications

Application areas



Standards

- EN 55015: Limits and methods of measurement of radio disturbance characteristics of electrical lighting
- EN 61547: Equipment for general lighting purposed EMC immunity requirements
- EN 61000-3-2: Limits for harmonic current emissions (equipment rated current $\leq 16A$)
- EN 61000-3-3: Limitation of voltage fluctuations and flicker in low voltage supply systems (equipment rated current $\leq 16A$)

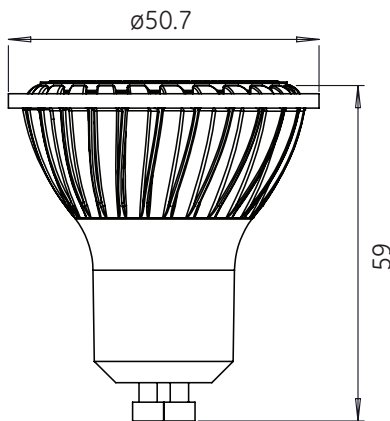
3.5W and 5.5W GU10 LED lamps have the following common features

- Standard Beam Angle of 35 degrees
- Colour Rendering Index >80
- Within 6-step MacAdam Colour Consistency
- Operating temperature: -20°C to +40°C

Specification summary

Wattage (W)	Weighted Energy Consumption (kWh/1000h)	Product Description	Candela (cd)	Total Lumen (lm)	DIM2 Lumen (lm)	Energy Efficiency Class (EEC)	Beam Angle (degree)	CCT (K)	Life hours L70/B50	Power factor	CRI	Switch Cycles	Dimmable	CCT Steps	Weight	Product Code
5.5	5.50	LED5.5D/GU10/827/220-240V/35/BX 1/8	800	350	320	A+	35	2700	25,000	≥0.8	80	50,000	Yes	6	50	85848
5.5	5.50	LED5.5D/GU10/830/220-240V/35/BX 1/8	800	360	330	A+	35	3000	25,000	≥0.8	80	50,000	Yes	6	50	85849
5.5	5.50	LED5.5D/GU10/840/220-240V/35/BX 1/8	800	380	350	A+	35	4000	25,000	≥0.8	80	50,000	Yes	6	50	85850
3.5	3.50	LED3.5/GU10/827/220-240V/35/BX 1/8	550	220	200	A+	35	2700	25,000	≥0.4	80	50,000	No	6	50	85844
3.5	3.50	LED3.5/GU10/830/220-240V/35/BX 1/8	550	240	220	A+	35	3000	25,000	≥0.4	80	50,000	No	6	50	85845
3.5	3.50	LED3.5/GU10/840/220-240V/35/BX 1/8	550	240	220	A+	35	4000	25,000	≥0.4	80	50,000	No	6	50	85846

Dimensions



Maximum T_{hs} recommended

- T_{hs} Max for 3.5W 62°C
- T_{hs} Max for 5.5W 87°C



Lumen maintenance at rated life

70% lumen maintenance at 25,000h life

Operation and maintenance

- Switch off mains supply before installing/removing lamp.
- Check your fixtures are properly wired according to provided installation instructions.
- Ambient temperature range -20° C to 40°C.
- GU10 5.5W lamps are dimmable on most common leading & trailing edge dimmers, see gelighting.com/dimming-led. Dimming range 20%~100%
- Not for use in totally enclosed fixtures.
- Not for use on Photo- & Timer-circuits.
- Not for use in emergency lighting circuits