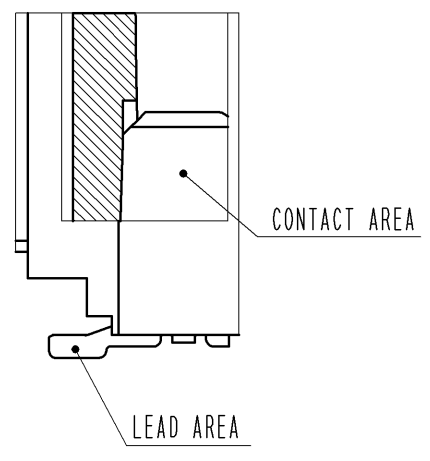
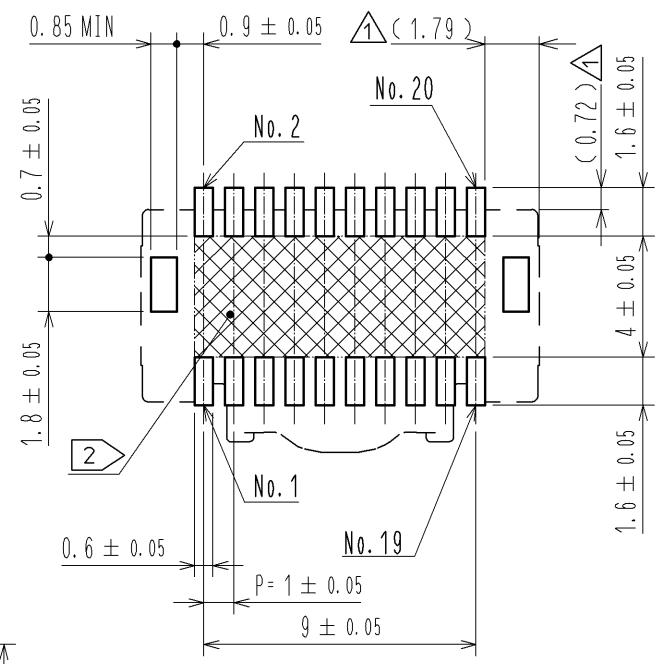


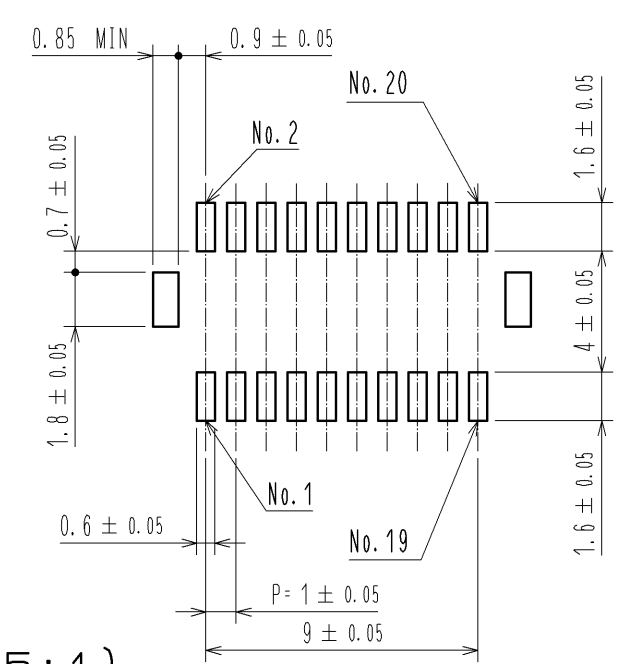
A (10 : 1)



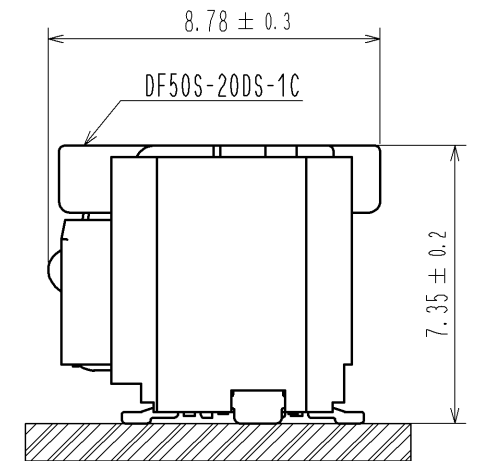
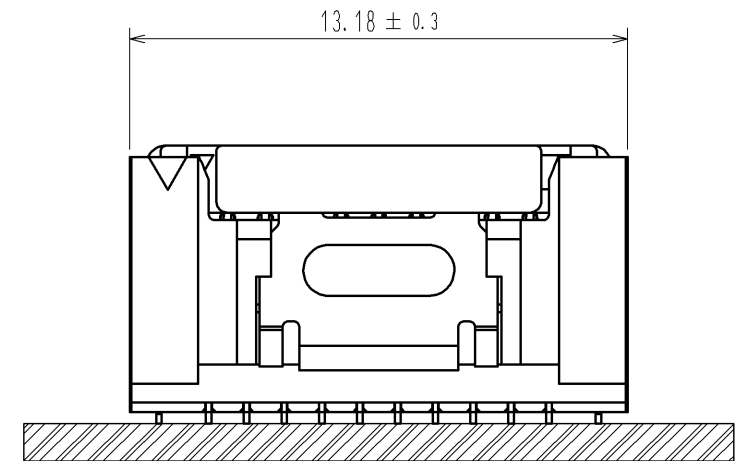
RECOMMENDED PCB LAYOUT
(MOUNTING SURFACE SIDE) (FREE)



RECOMMENDED METAL MASK(FREE)
THICKNESS : 0.1mm

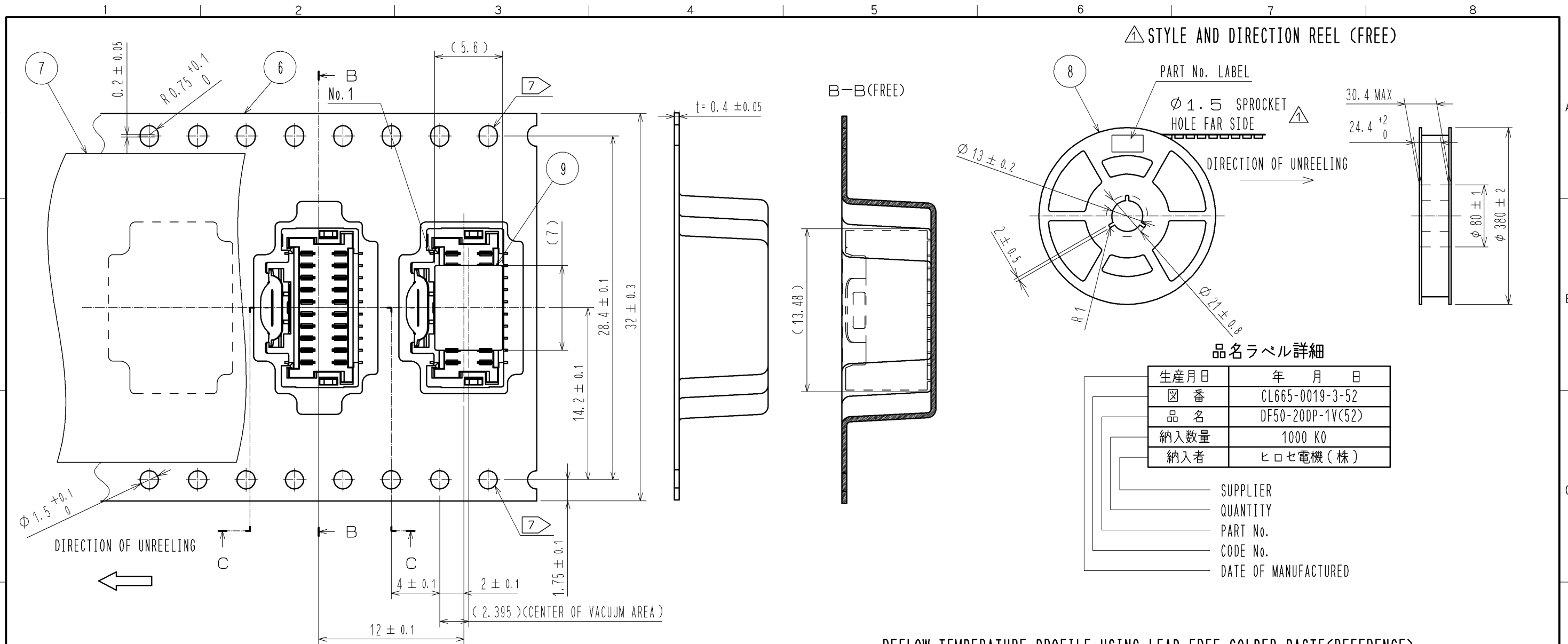


MATING FIGURE (5 : 1)



- NOTES
- LEAD CO-PLANARITY SHALL BE 0.1 mm MAX.
 - AREA INDICATED MUST BE FREE OF CONDUCTIVE TRACES OR THE CONDUCTIVE TRACES MUST BE COVERED BY RESIST FILM.
 - PLEASE CONSULT HIROSE WHEN THE PRODUCT IS MOUNTED TO FPC.

3	BRASS	CONTACT AREA : Au PLATING 0.05µm MIN. LEAD AREA : Au PLATING 0.05µm MIN. UNDERPLATING : Ni PLATING 1µm MIN.	9	POLYAMIDE	VACUUM CAP
2	BRASS	CONTACT AREA : Au PLATING 0.05µm MIN. LEAD AREA : Au PLATING 0.05µm MIN. UNDERPLATING : Ni PLATING 1µm MIN.	8	PS	REEL, BLACK
1	LCP	BLACK, UL94V-0	7	POLYESTER	CLEAR
			6	PS	CLEAR
			5	STAINLESS STEEL	-
			4	BRASS	SURFACE : Sn PLATING 1µm MIN. UNDERPLATING : Ni PLATING 0.5µm MIN.
NO.	MATERIAL	FINISH, REMARKS	NO.	MATERIAL	FINISH, REMARKS
UNITS mm		SCALE FREE	COUNT 4	DESCRIPTION OF REVISIONS DIS-H-007735	
				DESIGNED MI. SAKIMURA	CHECKED TS. KUMAZAWA
					DATE 13.03.22
HRS HIROSE ELECTRIC CO., LTD.		APPROVED : OM. MIYAMOTO 12.01.31	DRAWING NO. EDC3-339519-02		
		CHECED : OM. MIYAMOTO 12.01.31	PART NO. DF50-20DP-1V(52)		
		DESIGNED : TT. OHSAKO 12.01.31	CODE NO. CL665-0019-3-52		
		DRAWN : TT. OHSAKO 12.01.31			

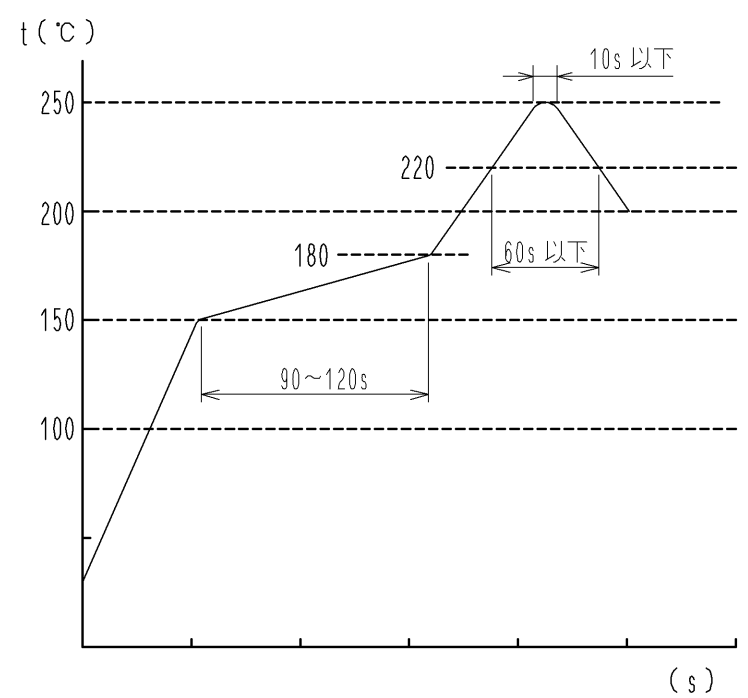


品名ラベル詳細

生産月日	年 月 日
図 番	CL665-0019-3-52
品 名	DF50-20DP-1V(52)
納入数量	1000 K0
納入者	ヒロセ電機(株)

- SUPPLIER
- QUANTITY
- PART No.
- CODE No.
- DATE OF MANUFACTURED

REFLOW TEMPERATURE PROFILE USING LEAD-FREE SOLDER PASTE(REFERENCE)



NUMBER OF REFLOW CYCLES : 2 CYCLES MAX.
 THE TEMPERATURE OF THIS PROFILE IS MASURED ON THE LEAD TERMINAL.

WE RECOMMEND PERFORMING AN EVALUATION UNDER THE MOUNTING CONDITIONS YOU WILL BE USING BECAUSE IT COULD BE AFFECTED BY ANY CONDITION:TYPE OF SOLDER PASTE, SIZE OF PCB, MOUNTING METAL etc.

- NOTES
4. 1REEL :1000CONNECTORS.
 - 5 TAPING (FREE) REEL TO JIS C 806.(PACKAGING OF COMPONENTS FOR AOUTOMATIC HANDLING.)
 6. THE DIMENTIONS IN PARENTHESSES ARE FOR REFERENCE.
 - 7 THE MISPLACEMENT OF CENTERS FOR THE HOLE AND THE ELONGATE HOLE IS 0.05mm MAX.

HRS	DRAWING NO.	EDC3-339519-02
	PART NO.	DF50-20DP-1V(52)
	CODE NO.	CL665-0019-3-52
		\triangle 2/2