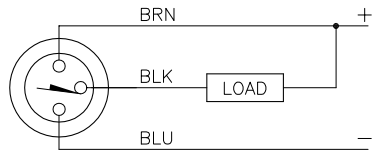
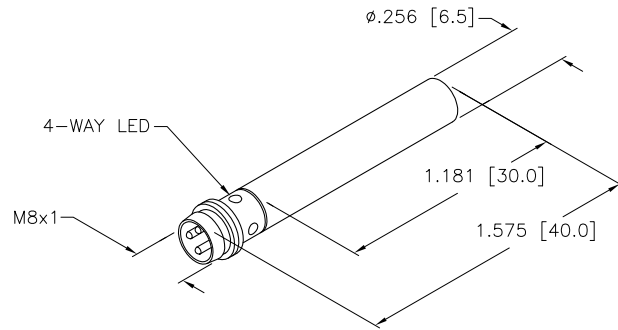


### WIRING DIAGRAM



OUTPUT: AN6X

SHORT-CIRCUIT AND OVERLOAD PROTECTED



### SPECIFICATIONS

|   |  |
|---|--|
| OPERATING VOLTAGE                       | 10-30 VDC                                  |
| RIPPLE                                  | $\leq 10\%$                                |
| DIFFERENTIAL TRAVEL (HYSTERESIS)        | 1-15% (5% TYPICAL)                         |
| VOLTAGE DROP ACROSS CONDUCTING SENSOR   | $\leq 1.8$ V at 150 mA                     |
| OUTPUT FUNCTION                         | NORMALLY OPEN<br>3-WIRE DC SELF-CONTAINED  |
| TTL COMPATIBLE                          | NO   |
| SHORT-CIRCUIT PROTECTED                 | YES  |
| TRIGGER CURRENT FOR OVERLOAD PROTECTION | $\geq 170$ mA                              |
| CONTINUOUS LOAD CURRENT                 | $\leq 150$ mA                              |
| LEAKAGE (OFF-STATE) CURRENT             | $< 10\mu$ A                                |
| NO-LOAD CURRENT                         | 5.5-9.5 mA                                 |
| TIME DELAY BEFORE AVAILABILITY          | $\leq 8$ ms                                |
| POWER-ON EFFECT PROTECTION              | INCORPORATED                               |
| REVERSE POLARITY PROTECTION             | INCORPORATED                               |
| WIRE-BREAK PROTECTION                   | INCORPORATED                               |
| PROTECTION AGAINST TRANSIENTS           | 1 kV, 0.1 ms, 1 k $\Omega$                 |
| OPERATING TEMPERATURE                   | -25°C to +70°C (-13°F to +158°F)           |
| ENCLOSURE                               | MEETS NEMA 1, 3, 4, 6, 13 AND IEC IP65     |
| SHOCK                                   | 30 g, 11 ms                                |
| VIBRATION                               | 55 Hz, 1 mm AMPLITUDE<br>(IN ALL 3 PLANES) |
| LED FUNCTION                            | RED: OUTPUT ENERGIZED                      |
| SENSING RANGE                           | 1.5 mm = .059" (NOMINAL)                   |
| SWITCHING FREQUENCY                     | 5000 Hz                                    |
| REPEATABILITY                           | $\leq 2\%$ of NOMINAL SENSING RANGE        |
| SHIELDED                                | YES  |

|                   |  |                                  |   |   |     |  |                    |              |
|-------------------|--|----------------------------------|---|---|-----|--|--------------------|--------------|
| RELATED DOCUMENTS |  | 3RD ANGLE PROJECTION             |   | THIS DRAWING IS PROPERTY OF TURCK INC. USE OF THIS DOCUMENT WITHOUT WRITTEN PERMISSION IS PROHIBITED. |     | <b>TURCK INC</b><br>High Technology Sensors and Automation Controls<br>3000 CAMPUS DRIVE<br>MINNEAPOLIS, MN 55441<br>1-800-544-7769<br>(763) 553-7300<br>(763) 553-0708 fax<br>turck.com |                    |              |
| 1.                |  |                                  | ALL DIMENSIONS DISPLAYED ON THIS DRAWING ARE FOR REFERENCE ONLY | DRFT  | GMB | DATE   | 1/16/89            |              |
| 2.                |  |                                  |   | DSGN  |     | SCALE  | 1=1.0              | DESCRIPTION  |
| 3.                |  |                                  |   | UNIT OF MEASUREMENT   |     |  | IDENTIFICATION NO. | REV          |
| 4.                |  |                                  |   | <b>INCH [ MILLIMETER ]</b>  |     |  | S4610800           | D            |
| MATERIAL          |  | BRASS BARREL                     |   | DO NOT SCALE THIS DRAWING   |     |  | FILE: S4610800     | SHEET 1 OF 1 |
| FINISH            |  | COPPER/NICKEL/<br>CHROME PLATING |   | CONTACT TURCK FOR MORE INFORMATION  |     |  |                    |              |

|     |                      |     |          |         |
|-----|----------------------|-----|----------|---------|
| D   | UPDATE BARREL LENGTH | RDS | 09/09/10 | 32438   |
| REV | DESCRIPTION          | BY  | DATE     | ECO NO. |