



Product information ELWIST 4012 K PG7

Industrial Connecting Solutions: Circular Connectors: M8 - M12 Connectors: M12 Connectors: M12 Circular connector (M12 E-Series): with screw locking: Angled cable plug, self-assembled: ELWIST 4012 K

PG7

<http://e-catalog.hirschmann.com/link/57078-24228-256281-256292-256304-24445-24446-24272-36767/en/conf/ui/state>

Name	ELWIST 4012 K PG7
	
	Angled cable plug, unassembled, strain relief by means of clamping cage, plastic coupling thread
Delivery informations	
Availability	available
Product description	
Description	Angled cable plug, unassembled, strain relief by means of clamping cage, plastic coupling thread
Type	ELWIST 4012 K PG7
Order No.	933 728-100
Type of contact	male
Number of contacts	4
Cable gland	PG 7
Standard	IEC 61076-2-101 (Ed. 1)/ IEC 60947-5-2
Housing Color	black
Technical data	
Pin dimensions	1 mm
Rated voltage	AC/DC 250 V
Rated current	4 A
Type of termination	screw
Suitable cables	diameter 4 mm to 6 mm, max. 0.75 mm ²
Material	
Contact material	Cu Zn
Contact surface material	Sn
Contact bearer material	PA
Housing material	PA
Coupling nut material	PA
O-Ring	NBR
Environmental conditions	
Protection class (IEC 60529)	IP 67
Pollution severity	3
Temperature range	-25 °C to +90 °C
Inflammability class	
Housing	94 V-2
Contact bearer	94 V-2
Packing unit	
Packaging unit	100 pieces



HIRSCHMANN

A BELDEN BRAND

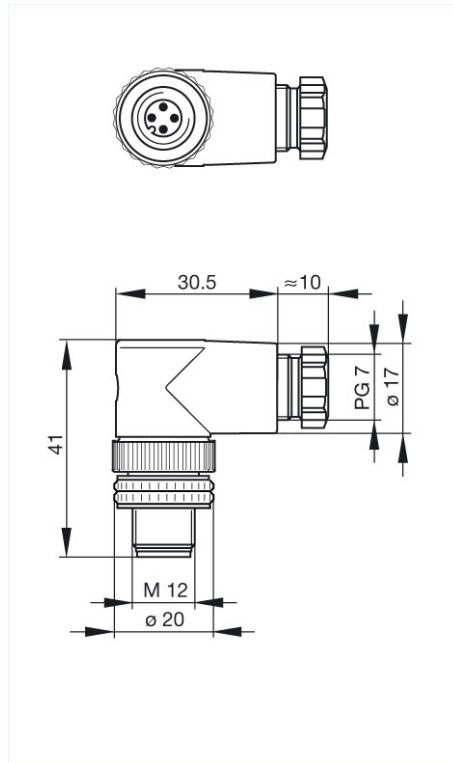
Industrial Connecting Solutions: Circular Connectors: M8 - M12 Connectors: M12 Connectors: M12 Circular connector (M12 E-Series)-with screw locking: Angled cable plug, self-assembled: ELWIST 4012 K

PG7

<http://e-catalog.hirschmann.com/link/57078-24228-256281-256292-256304-24445-24446-24272-36767/en/conf/ui/state>

Picture

Drawing



Belden Deutschland GmbH

Im Gewerbepark 2
58579 Schalksmühle
Germany
Phone: +49 7127/14-1806
E-Mail: icos-sales@belden.com

The information published in the websites has been compiled as carefully as possible. It is subject to alteration without notice in technical as well as in price-related/commercial respect. The complete information and data were available on user documentation. Mandatory information can only be obtained by a concrete query.