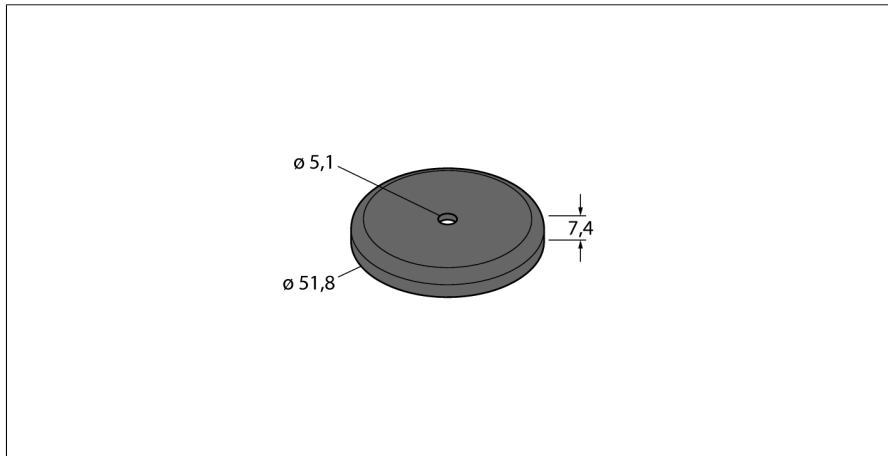


Mounting accessories
Mounting bracket
SMBWLSMAG

- Magnet fixing bracket for WLS28 serie
- Easy attachment to metal surfaces
- Lifting capacity up to 15 kg
- Included are two magnet fixing brackets, two mounting bolts and two nuts with snap rings.

Type code	SMBWLSMAG
Ident no.	3019574
Housing material	metal