

Splash Proof Fan

60mm sq.

San Ace 60W

25mm thick(WP type)



General Specifications With a pulse sensor

- Material Frame: Plastics (Flammability: UL94V-0),
Impeller: Plastics (Flammability: UL94V-1)
- Life Expectancy Varies for each model (L10: Survival rate: 90% at 60°C, rated voltage, and continuously run in a free air state)
- Lead Wire ⊕red ⊖black (Sensor) yellow
- Storage Temperature -30°C to +70°C (Non-condensing)

60×60×25mm (Mass : 110g)

IP 55 Dust resistant device with protection against water jets

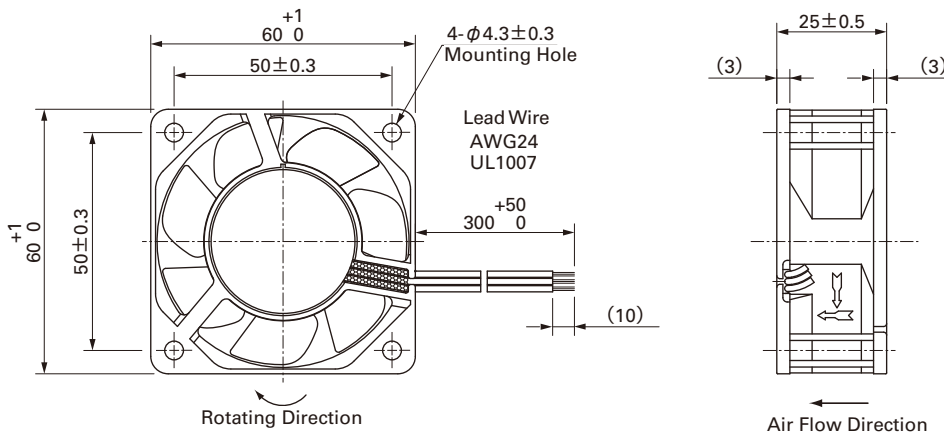
WP type

Specifications The numbers in () represent ribless models.

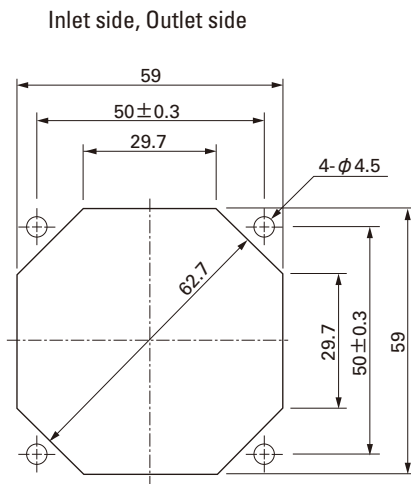
Model No.	Rated Voltage [V]	Operating Voltage Range [V]	Rated Current [A]	Rated Input [W]	Rated Speed [min ⁻¹]	Air Flow [m ³ /min] [CFM]	Static Pressure [Pa] [inchH ₂ O]	SPL [dB(A)]	Operating Temperature [°C]	Life Expectancy [h]
9WP0612H401(4011)	12	10.2 to 13.8	0.11	1.32	3,800	0.53 18.7	40.2 0.161	28	- 10 to +70	60,000
9WP0624H401(4011)	24	20.4 to 27.6	0.06	1.44	3,800	0.53 18.7	40.2 0.161	28		
9WP0648H401(4011)	48	40 to 53	0.04	1.92	3,800	0.53 18.7	40.2 0.161	28		

Without Sensor Pulse Sensor Available in all models. Lock Sensor PWM Control Please inquire as the availability of these functions depend on the model.

Dimensions (Unit : mm) (With ribs)



Reference dimension of mounting holes and vent opening (Unit : mm)



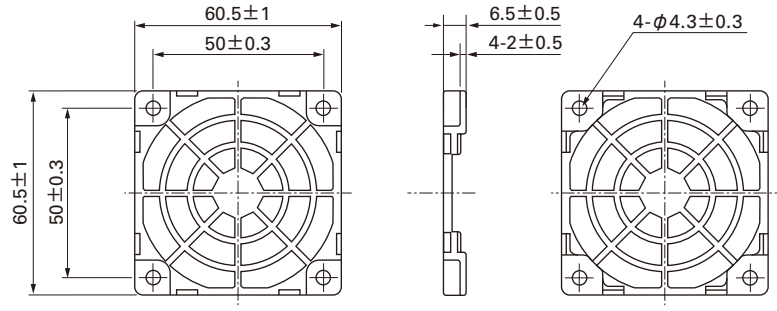
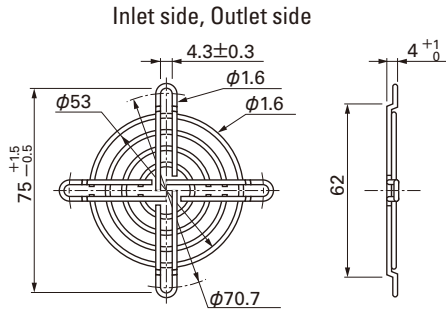
Options (Unit : mm)

Finger guards

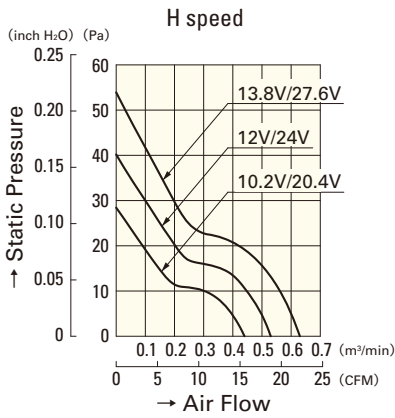
Model : 109-139E Surface treatment : Nickel-chrome plating (silver) Color
 : 109-139H : Cation electropainting (black)

Resin Finger guards

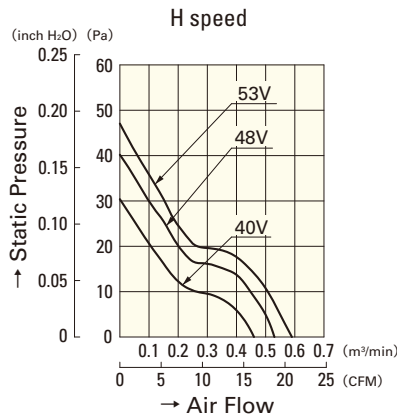
Model : 109-1003G



Air Flow and Static Pressure Characteristics



9WP0612H401(4011)
9WP0624H401(4011)



9WP0648H401(4011)