

**Ordering number C11192_TUIJA-3-SS**

Family	Tuija	FWHM	12 degrees
Type	Lens array	Efficiency	90 %
LED	XP-E	cd/lm	14.100
Color	Clear	Gerber File	Available
Diameter	50 mm		
Height	14.5 mm		
Style	Round	MR16 Applications	
Optic Material	PMMA		
Holder Material	-		
Fastening	Pin, glue		
Status	Ready		

**Ordering number C11193_TUIJA-3-M**

Family	Tuija	FWHM	19 degrees
Type	Lens array	Efficiency	82 %
LED	XP-E	cd/lm	5.100
Color	Clear	Gerber File	Available
Diameter	50 mm		
Height	14.5 mm		
Style	Round	MR16 Applications	
Optic Material	PMMA		
Holder Material	-		
Fastening	Pin, glue		
Status	Ready		

**Ordering number C12150_TUIJA-3-M2**

Family	Tuija	FWHM	34 degrees
Type	Lens array	Efficiency	86 %
LED	XP-E	cd/lm	2.200
Color	Clear	Gerber File	Available
Diameter	50 mm		
Height	14.5 mm		
Style	Round	MR16 Applications	
Optic Material	PMMA		
Holder Material	-		
Fastening	Pin, glue		
Status	Ready		

**Ordering number C11191_TUIJA-3-W**

Family	Tuija	FWHM	58 degrees
Type	Lens array	Efficiency	86 %
LED	XP-E	cd/lm	0.920
Color	Clear	Gerber File	Available
Diameter	50 mm		
Height	14.5 mm		
Style	Round	MR16 Applications	
Optic Material	PMMA		
Holder Material	-		
Fastening	Pin, glue		
Status	Ready		



PRODUCT DATASHEET
Tuija series
last update 18/4/2012

NOTE: The typical divergence will be changed by different color, chip size and chip position tolerance. The typical total divergence is the full angle measured where the luminous intensity is half of the peak value.



PRODUCT DATASHEET

Tuija series

last update 18/4/2012

GENERAL INFORMATION

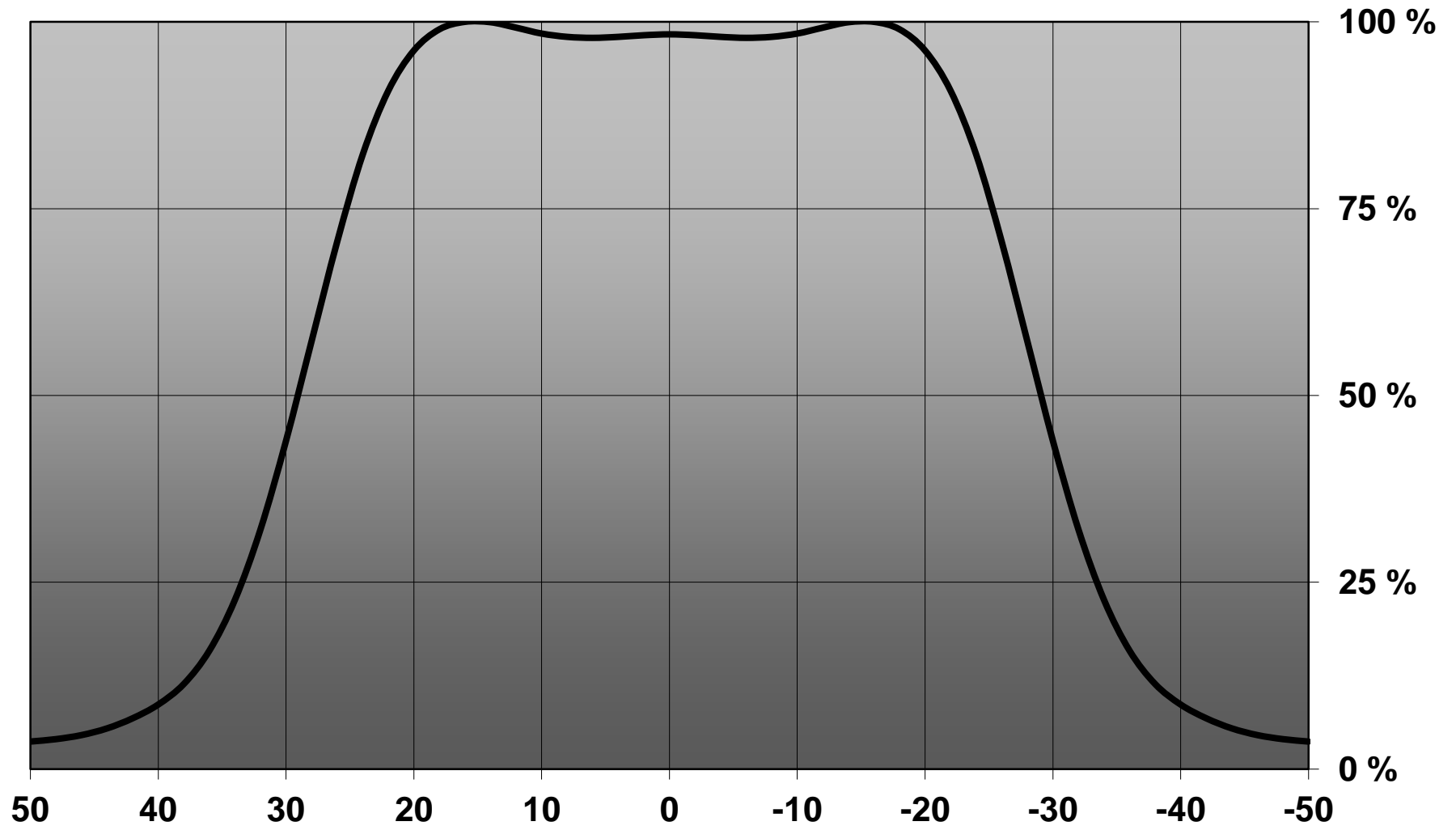
- Product series especially designed & optimized for XP-E series of LEDs.
- Special care taken to make light distribution as uniform as possible.
- Lens material optical grade PMMA with high UV and temperature resistance. Allows use of high current and temperature conditions.

Please find more information about used material from below:

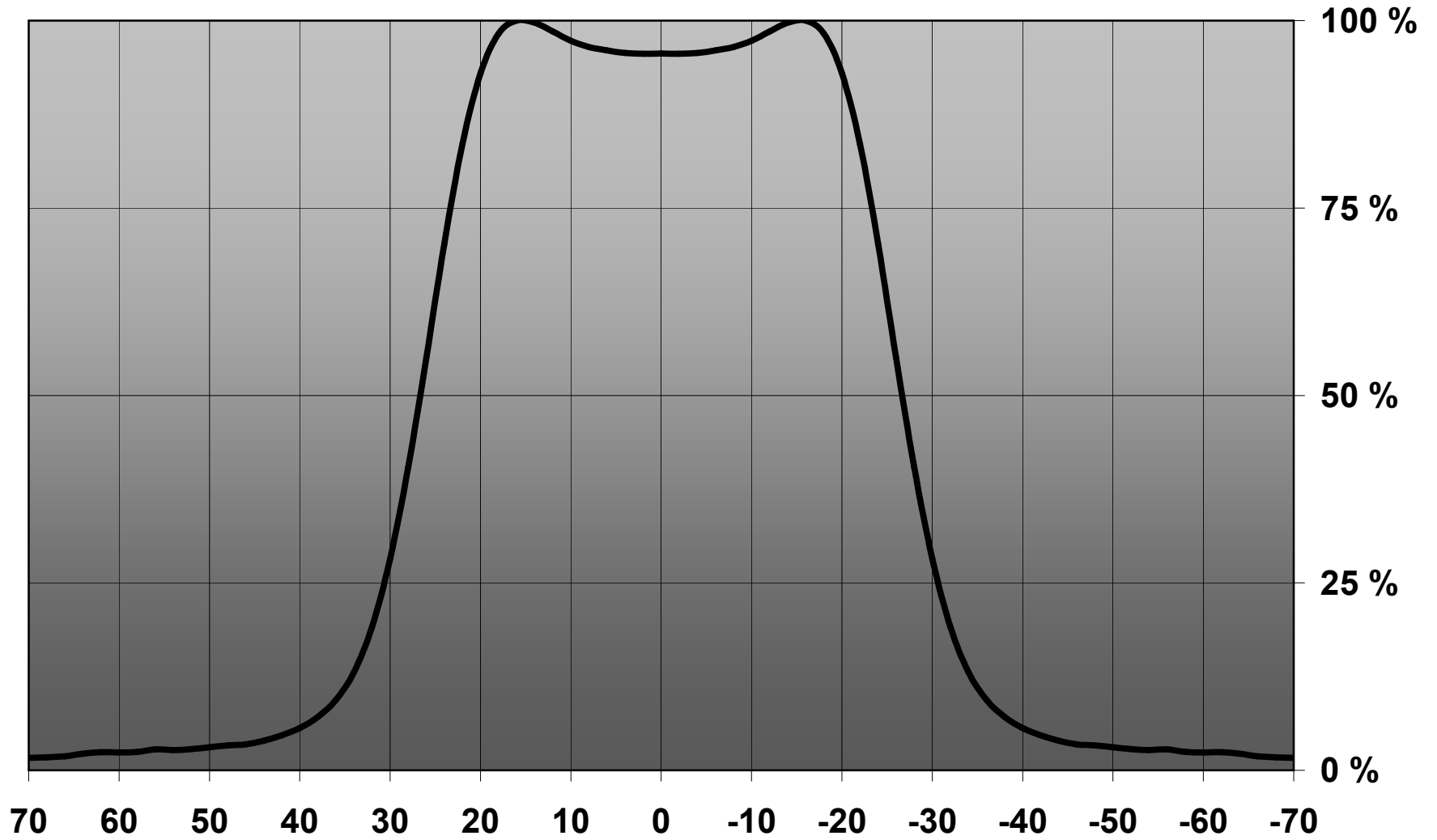
http://ledil.fi/sites/default/files/Documents/Technical/Material/PMMA%20N%20UL94_Yellow%20Card.pdf

<http://ledil.fi/sites/default/files/Documents/Technical/Material/PMMA%20N%20PLEXIGLAS-Datasheet.pdf>

Relative Intensity of C11191_Tuija-3-W-DD



Relative Intensity of C11191_Tuija-3-W-XP



D C B A

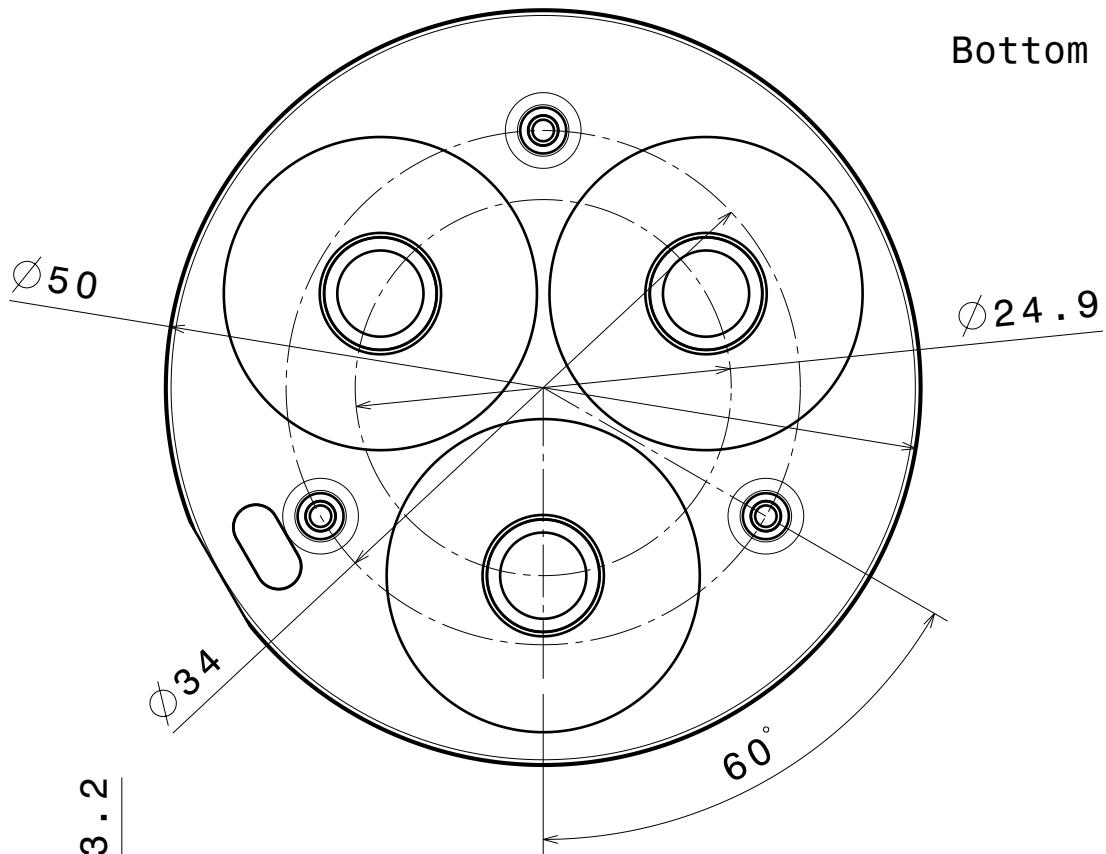
4

3

2

1

Bottom view



3.2
14.5

1.2
Ø2

Front view

Material:
Lens PMMA

Part no.s:
C11191_Tuija-3-W
C11192_Tuija-3-SS
C11193_Tuija-3-M

Tolerances:
Dimensions less < 20mm +/-0.1mm
Dimensions between (21-45)mm +/-0.2mm
Dimensions between (46-90)mm +/-0.3mm

This drawing is our property.
It can't be reproduced
or communicated without
our written agreement.



L
T
F
F

e
e
i
i
N
n

d

DRAWING TITLE

Datasheet Tuija-3 lens

DRAWN BY

DATE

p

12.10.2009

CHECKED BY

DATE

t k

09.10.2009

DESIGNED BY

DATE

HH

29.05.2007

SIZE

A4

DRAWING NUMBER

C11191-193

REV

1

SCALE

2:1

WEIGHT (g)

SHEET

1/1

D

A

1