

基板取り付け推奨寸法 (マウント面)
(基板厚: t1.6mm)
RECOMMENDED P.C. BOARD HOLE
DIM. (MOUNTING SIDE)
(THK.: t1.6mm)

注記
NOTES

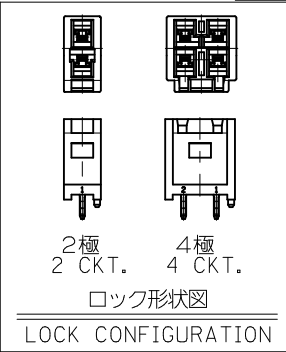
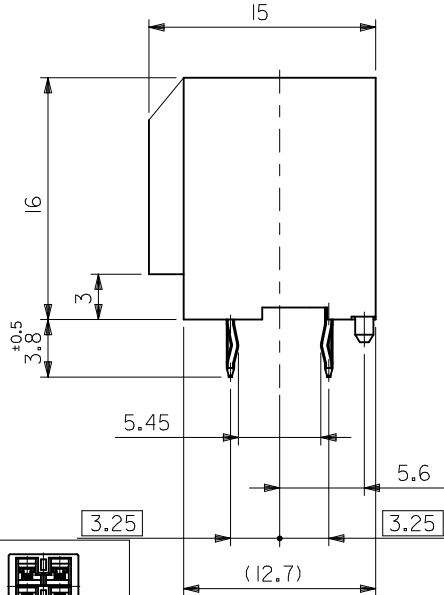
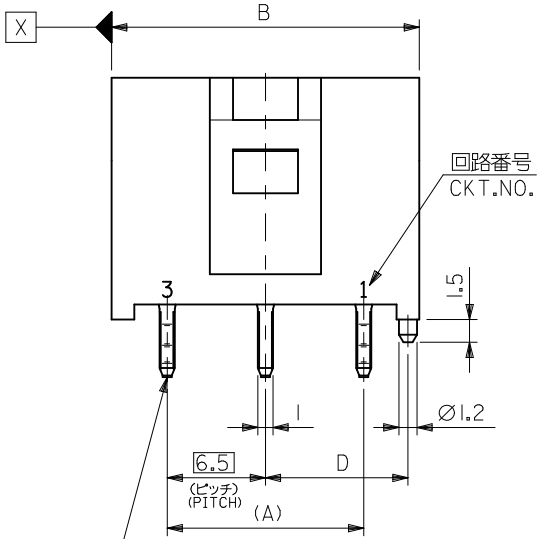
1. 嵌合相手: 51142シリーズ
MATE WITH: 51142 SERIES
2. 材質 MATERIAL
ピン: 銅合金、ニッケル下地錫めっき (1μm以上)
PIN: COPPER ALLOY, TIN OVER NICKEL PLATED (1μm MIN.)
ヘッダー: ポリアミド(PA)、ガラス充填、UL94V-0
HEADER: POLYAMIDE(PA), GLASS FILLED, UL94V-0
3. 6極のキップは、両端の4ピンに付加。
KINK FOR 6 CKT. TO BE APPLIED ON 4 PIN OF BOTH SIDES.
4. 53728-***19は、53728-***10の鉛フリー品である。
53728-***19 IS LEAD FREE TYPE OF 53728-***10.
53728-***6は、53728-***1の鉛フリー品である。
53728-***6 IS LEAD FREE TYPE OF 53728-***1*.
5. ELV AND RoHS COMPLIANT.

6. オーダー番号 ORDER NO.

53728-****

極数 色
CIRCUIT SIZE COLOR

HSG COLOR	NO.
WHITE	19
BLACK	61
RED	62
YELLOW	63
BLUE	64
GRAY	65
GREEN	66
ORANGE	68
PINK	69



9.42	7.34	20.34	13	53728-06**	6
6.17	10.74	13.84	6.5	53728-04**	4
2.92	7.34	7.34	—	53728-02**	2
D	C	B	A	TRAY PACKAGE	極数 CKT.
					極数 CKT.

REVISED EC NO: J2011-0141 DRWN:TKON CHKD: APPR:NUK ITA 2010/07/27 2010/08/30 2010/08/30	GENERAL TOLERANCES (UNLESS SPECIFIED)		DIMENSION STYLE MM ONLY		SCALE ---	DESIGN UNITS METRIC	THIRD ANGLE PROJECTION		
	10 UNDER ±0.2 10 OVER 30 UNDER ±0.25 30 OVER ±0.3	DRAWN BY M. NABEI		DATE '04/3/26		TITLE 6.5 W/B CONN HEADER ASSY (WITH BOSS WITH KINK) -LEAD FREE-			
	ANGULAR ±---° DRAFT WHERE APPLICABLE MUST REMAIN WITHIN DIMENSIONS	CHECKED BY K. TOJO		DATE '04/3/26		MOLEX INCORPORATED			
	APPROVED BY M. SASAO	DATE '04/3/26		MATERIAL NO. SEE TABLE		DOCUMENT NO. SD-53728-008		SHEET NO. 1 OF 1	
THIS DRAWING CONTAINS INFORMATION THAT IS PROPRIETARY TO MOLEX INCORPORATED AND SHOULD NOT BE USED WITHOUT WRITTEN PERMISSION									