

P 30 TF

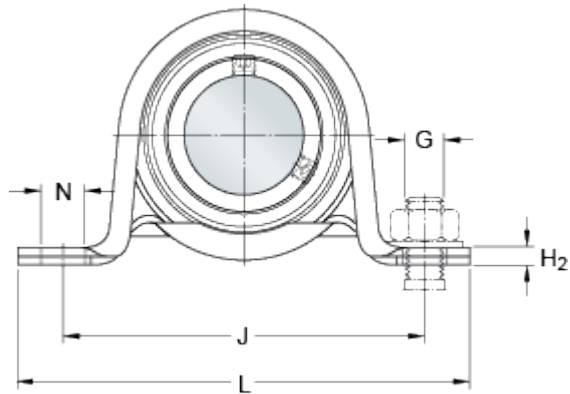
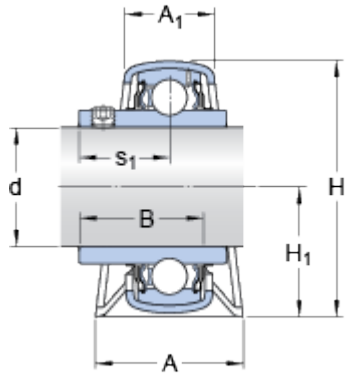
AYP_001_HC_HH_HY-AYL_001_HP.XX_NOTES_UL.category

- No order designation, order individual appertaining products

Material

Pressed steel

Dimensions



| | | |
|----------------|------|----|
| d | 30 | mm |
| A | 38 | mm |
| A ₁ | 25 | mm |
| B | 38.1 | mm |
| H | 66 | mm |
| H ₁ | 33 | mm |
| H ₂ | 4 | mm |
| J | 95 | mm |
| L | 119 | mm |
| N | 11.2 | mm |
| s ₁ | 22.2 | mm |

Dowel pins

Grease fitting

Threaded hole

Calculation data

| | | | |
|---------------------------------|----------------|-------|-------|
| Basic dynamic load rating | C | 19.5 | kN |
| Basic static load rating | C ₀ | 11.2 | kN |
| Fatigue load limit | P _u | 0.475 | kN |
| Permissible radial housing load | max. | 2.6 | kN |
| Limiting speed | | 6300 | r/min |

(with shaft tolerance h6)

Mass

Mass of unit

0.45

kg

Mounting information

| | | | |
|---|---|-------|-----|
| Hexagonal key size for grub screw | N | 3 | mm |
| Recommended tightening torque for grub screw | | 4 | N·m |
| Recommended diameter for attachment bolts, mm | G | 10 | mm |
| Recommended diameter for attachment bolts, inch | G | 0.375 | in |

Appertaining products

| | |
|---------|------------|
| Housing | P 62 |
| Bearing | YAR 206-2F |