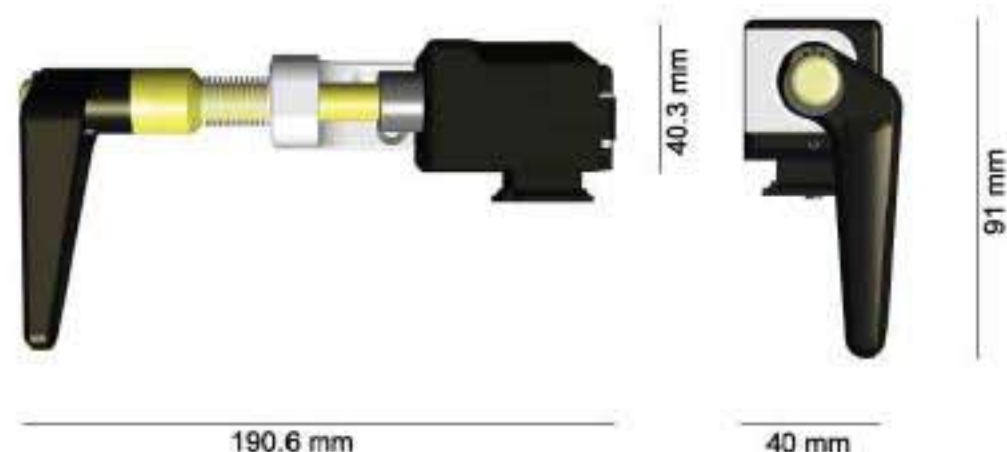


Head Modules & Actuators

Add-Ons

AM



AM Handle Actuator & Head

- Heavy duty handle unit
- 4 position fixing at 90° increments
- Operating handle can be rotated in 45° increments
- Allows for guard misalignment
- Retention force 2500N
- Can be fitted with lock-out devices for additional safety

Head (AMH) and Handle (AMK) also available separately.

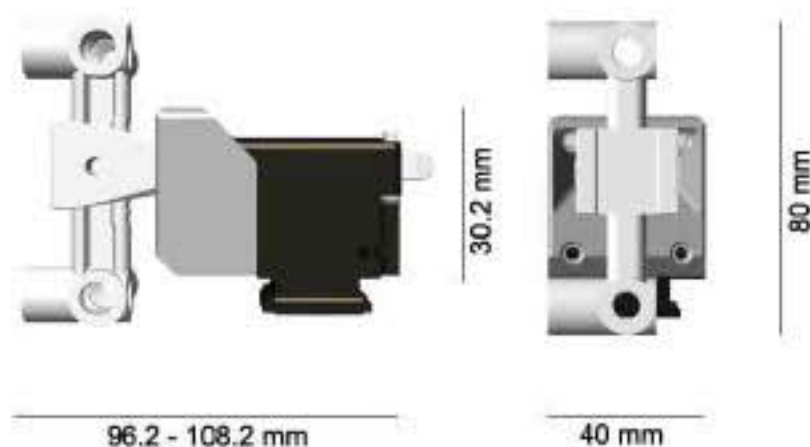
AM Lock-Out Clip

Once inserted into the head and padlocked in position, it blocks the handle entry preventing the door being closed and the machine from being restarted.



AML

AT



AT Tongue Actuator & Head

- Heavy duty tongue unit
- Ideal for fast, frequent access
- 4 position fixing at 90° increments
- Misalignment tolerance of +/- 12mm
- Retention force 2500N
- Can be fitted with lock-out devices for additional safety

Head (ATH) and Tongue (ATK) also available separately.

AT Lock-Out Clip

Once inserted into the head and padlocked in position, it blocks the tongue entry preventing the door being closed and the machine from being restarted.



ATL