



ENGLISH

Datasheet

RS Pro Yoke Track Roller 40mm

RS Stock No: 471-336



Specifications:

Yoke Type Track Roller

Suitable for use as eccentric rollers, guide rollers, rocker valve rollers, cam rollers in slideways or pressure rollers

Will also fit user's stud variations

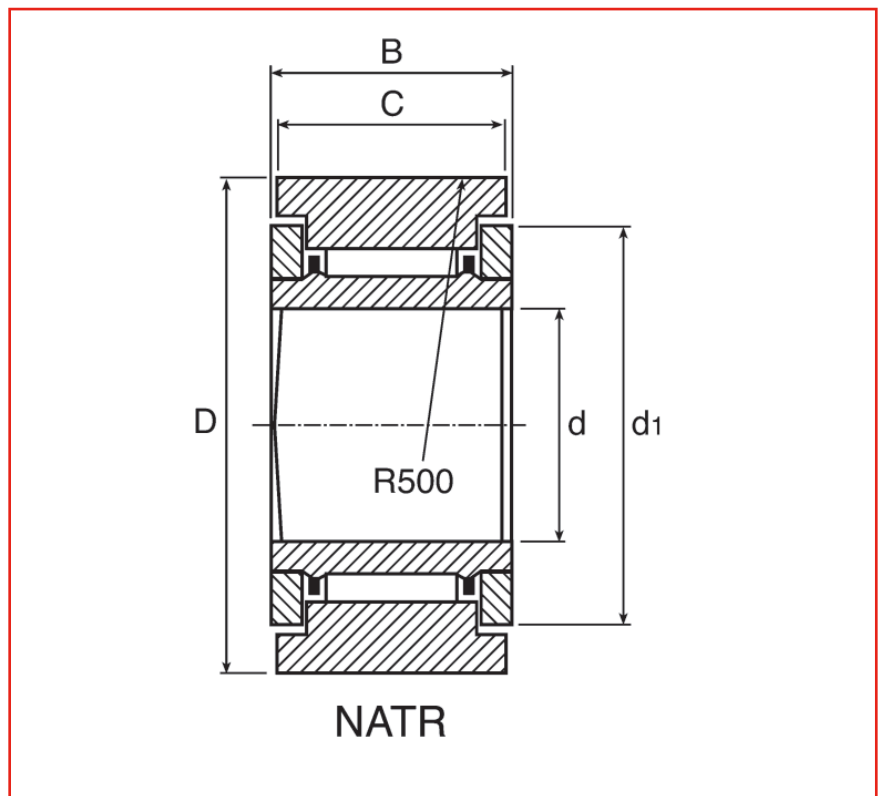
Crown ground outside diameter, $r = 500\text{mm}$

Operating temperature -30°C to $+100^{\circ}\text{C}$

Order Code	Manufacturers Code	Description
471-336	12-200-007	Yoke Track Roller

Datasheet

RS Pro Yoke Track Roller 40mm



Dimensions:

d (mm)	D (mm)	B (mm)	C (mm)	d1 (m)
17	40	21	20	32