

SylFire LED

SYLFIRE LED WHITE TLT 4000K DIMMABLE DC

0059805



Range features

- SylFire LED delivers up to 65lm/W
- Ultra low energy consumption at 10W
- A true 50W MR16 Low Voltage Halogen light output equivalent
- Dimmable (includes dimmable LED driver)
- Single point LED (COB) focusses through a single lens; eliminating overshadowing, reducing glare and creating that "halogen" look and feel
- Easy to install - push fit and loop in/loop out terminals for quick and convenient installation
- Available in IP65 water resistant in fixed options
- Available in tilt options
- Available in choice of chrome, brushed steel or white



PRODUCT OVERVIEW

Ordering number	0059805
Technology	LED
Light colour	Neutral white
Average life (Rated) (h)	50000
Type	Integrated LED
EAN code	5410288598055
Certifications	CE
Mount	Ceiling recessed
Housing	Steel
CRI (Ra)	80
LOR (%)	100
Beam angle(°)	40
Colour temperature (K)	4000
Dimming range	Mains dimmable: leading or trailing edge
Voltage (V)	220-240
Colour	White
IP rating	20

SylFire LED

SYLFIRE LED WHITE TLT 4000K DIMMABLE DC

0059805

DATA TABLE

General data

Ordering number	0059805
Technology	LED
Average life (Rated) (h)	50000
Average life (Nominal) (h)	50000
Type	Integrated LED
EAN code	5410288598055
Certifications	CE
Mount	Ceiling recessed
Long description	SylFire LED delivers up to 65lm/W. Ultra low energy consumption at 10W. A true 50W MR16 Low Voltage Halogen light output equivalent . Dimmable (includes dimmable LED driver). Single point LED (COB) focusses through a single lens; eliminating overshadowing, reducing glare and creating that "halogen" look and feel. Easy to install - push fit and loop in/loop out terminals for quick and convenient installation. Available in IP65 water resistant in fixed options. Available in tilt options. Available in choice of chrome, brushed steel or white
Product name	SYLFIRE LED WHITE TLT 4000K DIMMABLE DC
Control gear availability	External
Control gear type	Electronic (constant current)
Environment	Interior
General application	Indoor functional accent downlighting
Housing	Steel

Optical data

Light colour	Neutral white
CRI (Ra)	80
LOR (%)	100
Beam angle (°)	40
Colour temperature (K)	4000
Luminous flux (Nominal) (lm)	650
Dimming range	Mains dimmable: leading or trailing edge
Distribution type	Direct
Optical system	Acrylic lens

Electrical data

Total power consumption (W)	10
Voltage (V)	220-240
Ta rating	-40 to +45
Electrical protection	2
Glow wire test	850

SylFire LED

SYLFIRE LED WHITE TLT 4000K DIMMABLE DC

0059805

Physical data

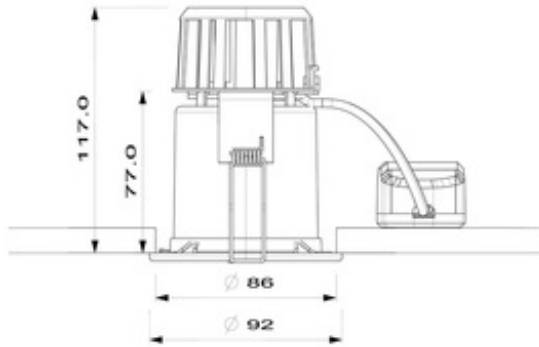
Weight (kg)	0.35
Colour	White
Lamp included	Yes
Height (mm)	117
Width (mm)	92
Length (mm)	92
IP rating	20
Vertical tilt (°)	20
Cutout diameter (mm)	86 ø
Cutout shape	Round
Recessed depth (mm)	130
Diffuser finish	Clear
Diffuser material	Acrylic

SylFire LED

SYLFIRE LED WHITE TLT 4000K DIMMABLE DC

0059805

TECHNICAL DRAWINGS



ENERGY LABEL

