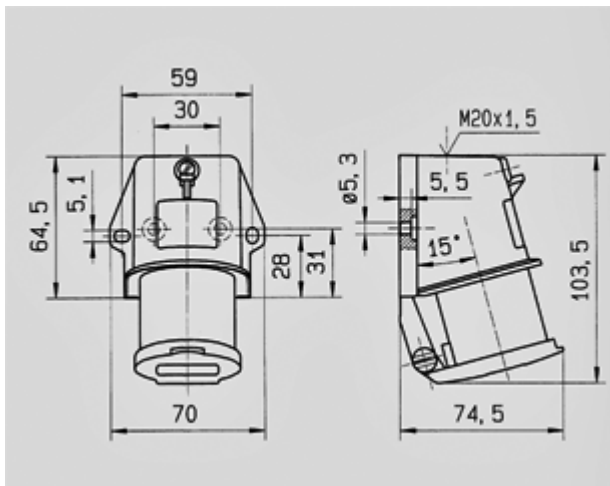


Wall mounted inlet - Part no. 846



- screw terminals
- with hinged lid
- for internal or external fixing

Protection type	IP 44
Ampere	16 A
Poles	3 p
Voltage	110 V
Hertz	50-60 Hz
Earth position	4 h
Contact	standard
Connection technology	Screw terminals



Drawing
2 MB 212

Dim. in mm