


Ordering number C12490_SIRI-DOME

Family	Siri	FWHM	140 degrees
Type	Lens	Efficiency	97 %
LED	XP-G2	cd/lm	0.270
Color	Clear	Gerber File	Available
Diameter	13.9 + 13.9 mm		
Height	4.9 mm		
Style	Square		
Optic Material	PMMA		
Holder Material	-		
Fastening	Pin, glue		
Status	Ready		

Lens designed to protect LED without effect to LED original beam

Ordering number CA13014_SIRI-DIFF

Family	Siri	FWHM	140 degrees
Type	Assembly	Efficiency	96 %
LED	XP-G2	cd/lm	0.260
Color	Clear	Gerber File	Available
Diameter	13.9 + 13.9 mm		
Height	5.3 mm		
Style	Square		
Optic Material	PMMA		
Holder Material	-		
Fastening	Tape		
Status	Ready		

Ordering number CA13013_SIRI-DOME

Family	Siri	FWHM	144 degrees
Type	Assembly	Efficiency	97 %
LED	XP-G2	cd/lm	0.260
Color	Clear	Gerber File	Available
Diameter	13.9 + 13.9 mm		
Height	5.3 mm		
Style	Square		
Optic Material	PMMA		
Holder Material	-		
Fastening	Pin, tape		
Status	Ready		

NOTE: The typical divergence will be changed by different color, chip size and chip position tolerance. The typical total divergence is the full angle measured where the luminous intensity is half of the peak value.



PRODUCT DATASHEET

Siri series

last update 15/2/2013

GENERAL INFORMATION

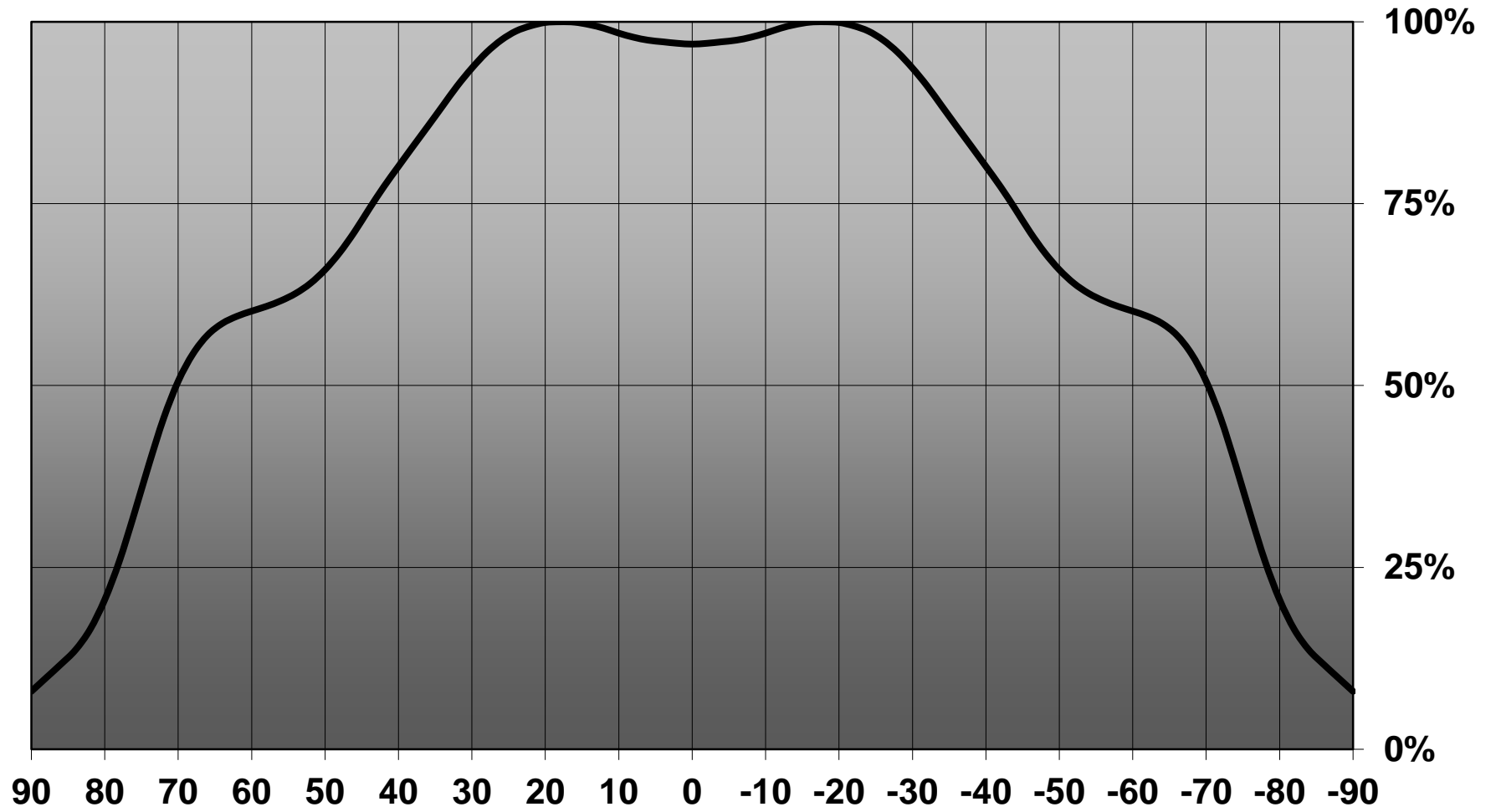
- Product series especially designed & optimized for XP-G2 series of LEDs.
- Special care taken to make light distribution as uniform as possible.
- Lens material optical grade PMMA with high UV and temperature resistance. Allows use of high current and temperature conditions.

Please find more information about used material from below:

http://ledil.fi/sites/default/files/Documents/Technical/Material/PMMA%20N%20UL94_Yellow%20Card.pdf

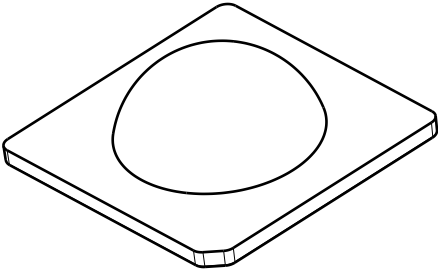
<http://ledil.fi/sites/default/files/Documents/Technical/Material/PMMA%20N%20PLEXIGLAS-Datasheet.pdf>

Relative intensity of CA13014_SIRI-DIFF_(XP-G2)

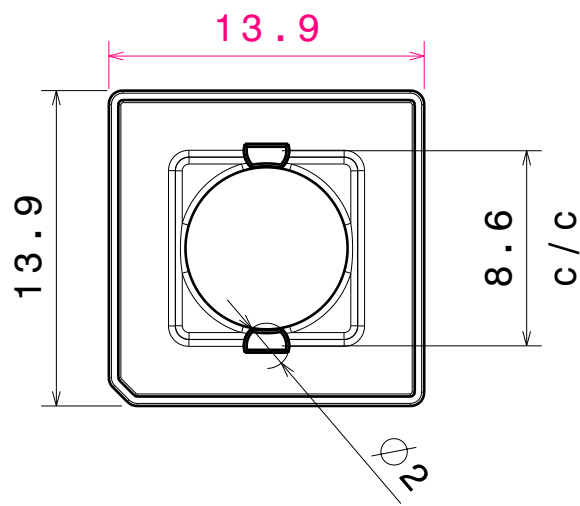
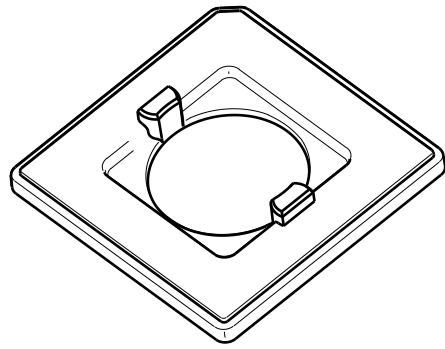


D C B A

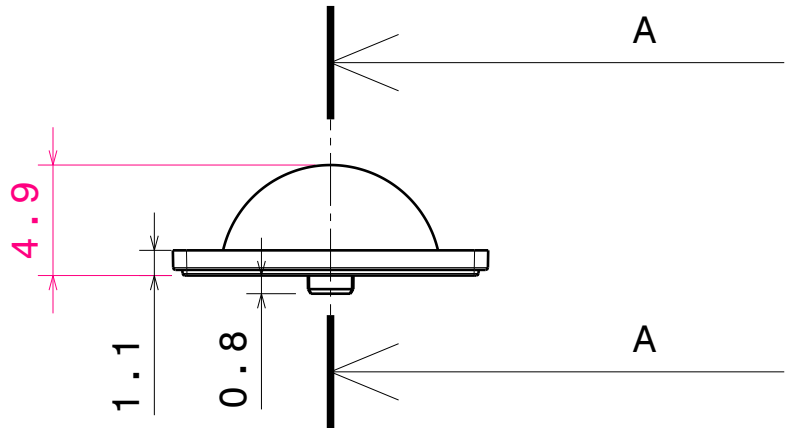
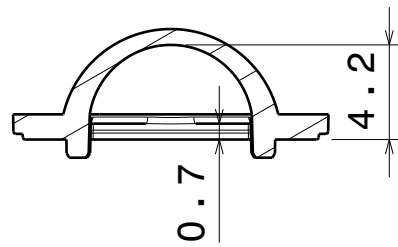
4



3



2



1

MATERIALS
Lens: PMMA

This drawing is our property.
It can't be reproduced
or communicated without
our written agreement.



Ledil Oy
Salorankatu 10
FIN-24100 SALO
Finland

DRAWING TITLE

Datasheet Siri-Dome & Siri-Diff

DRAWN BY
ah

DATE
3.1.2012

CHECKED BY
sn

DATE
3.1.2012

SIZE
A4

DRAWING NUMBER

REV
2

DESIGNED BY
pv

DATE
23.11.2011

SCALE 3:1

WEIGHT (g)

SHEET 1/1

D A