



RS ESM-9944 RS ESM-9945 Cooking Controllers

- J type thermocouple,
K type thermocouple,
PT-100 2-wire or 3-wire temperature input
(Must be determined in order),
- On/Off or Proportional control form selection,
- Working time selection in minutes or seconds,
- Hysteresis adjustment,
- Voiced warning via internal buzzer,
- Cover switch input,
- Steam output (RS ESM- 9945)

APPLICATION FIELDS

- Bakery Applications,
- Fermentation Cabinets,
- Ceramics and Glass ovens,
- Grain drier cabinet,
- Industrial fryer,
- Incubators

SPECIFICATIONS

INPUT

Thermocouple (TC) : J, K (IEC 584.1) (ITS90)

Thermoresistance (RTD) : 2 or 3 wire PT 100 (IEC 751) (ITS90)

Measurement Range : It is in ordering information

Accuracy : $\pm 1\%$ of full scale

Cold Junction Compensation : Automatically $\pm 0.1^\circ\text{C}/1^\circ\text{C}$

Sensor Break Protection: Upscale

Sampling Cycle: 3 samples per second

CONTROL

Control Form : ON/OFF & PROPORTIONAL
OUTPUTS

Temperature Control Output :

Relay (7A@250V~ @ resistive load) or optional

SSR Driver Output (Maximum 20mA, 12V ---)

Time Output:

Relay (7A@250V~ @ resistive load) or optional

SSR Driver Output (Maximum 20mA, 12V ---)

Steam Output(RS ESM-9945):

Relay (7A@250V~ @ resistive load) or optional

SSR Driver Output (Maximum 20mA, 12V ---)

Besides these, there is an internal buzzer for voiced warning.

DISPLAY

Temperature Value Display :

14 mm red 3 digit LED Display

Temperature Set Value Display :

8 mm green 3 digit LED Display

Time Value Display :

14 mm red 2 digit LED Display

Time Set Value Display :

8 mm green 2 digit LED Display

LED Display :

OUT1: Red,

OUT2: Red,

TIME: Red,

STEAM: Red (RS ESM-9945),

MIN: Green,

SEC: Green

SUPPLY VOLTAGE

230 V ~ ($\pm 15\%$) 50/60 Hz - 3VA ,

115 V ~ ($\pm 15\%$) 50/60 Hz - 3VA ,

24 V ~ ($\pm 15\%$) 50/60 Hz - 3VA

(Must be determined in order).

ENVIRONMENTAL RATINGS and PHYSICAL SPECIFICATIONS

Operating Temperature : 0...50°C

Humidity : %0-90RH (none condensing)

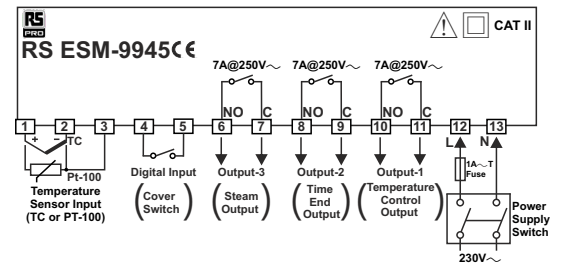
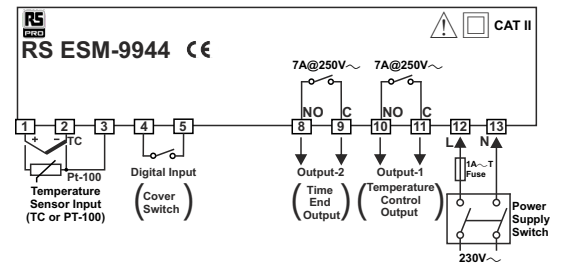
Protection Class : IP65 at front, IP20 at rear

Weight : 360 gr.

Diemensions: 96 x 96 mm, Depth:96 mm

Panel Cutout: 92 x 92 mm

ELECTRICAL WIRING



DIP- SWITCH ADJUSTMENTS

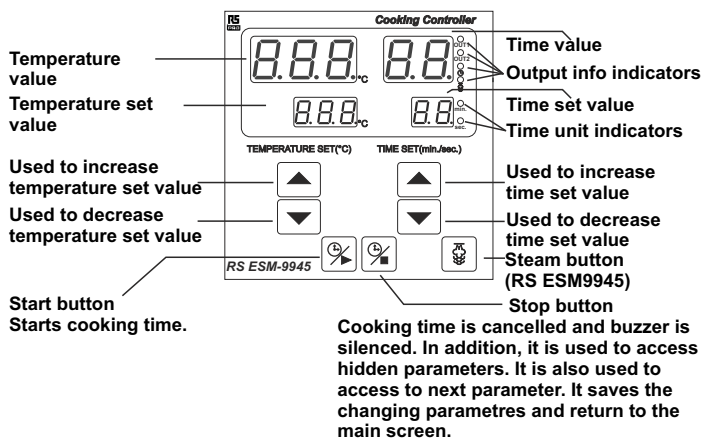
S1	CONTROL FORM	S4	RELAY ON DURATION
ON	ON- OFF	ON	10 sec
OFF	PROPORTIONAL	OFF	CONTINUOUSLY

S2	HYSTERESIS SELECTION		
	INPUT TYPE	SCALE	HYSTERESIS
ON	Pt100	0- 400°C	1°C
OFF	Pt100	0- 400°C	4°C
ON	J, Fe CuNi	0- 800°C	2°C
OFF	J, Fe CuNi	0- 800°C	4°C
ON	K, NiCr Ni	0- 999°C	2°C
OFF	K, NiCr Ni	0- 999°C	4°C

S3	TIME UNIT SELECTION
ON	SECOND (1- 99 sec)
OFF	MINUTE (1- 99 min)

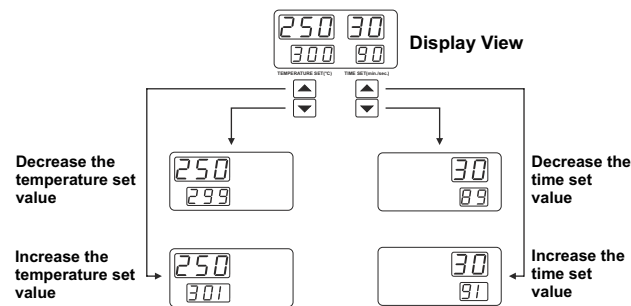
Cooking
Controllers

FRONT PANEL RS ESM-9945



CHANGING THE SET VALUES

In anytime, temperature and time set values can be changed by pressing related increase or decrease buttons.



HIDDEN PARAMETERS

If the control form is proportional, it is possible to access the hidden parameters. In the proportional form, if the stop button is pressed during 60 seconds the hidden parameters will be accessed.

The stop button is pressed for saving current parameter and passing to next parameter. When in the last parameter and the stop button is pressed then user leave the parameter screen and the main screen is appeared.

To change parameter set value, temperature set increase or temperature set decrease buttons are used.

HIDDEN PARAMETERS DEFINITION and FLOWCHARTS

orb Proportional Band Parameter :
Range : 1- 100 %

PER Control Output Period Parameter :
Range : 1- 50 sec.

oFS Set Value Offset Parameter :
Range : 0- ±19 °C

UdC Timer count direction Parameter:
Range : 0- 1. If the parameter is 1 then timer counts up-to-down.
If the parameter is 0 then timer count down-to-up.

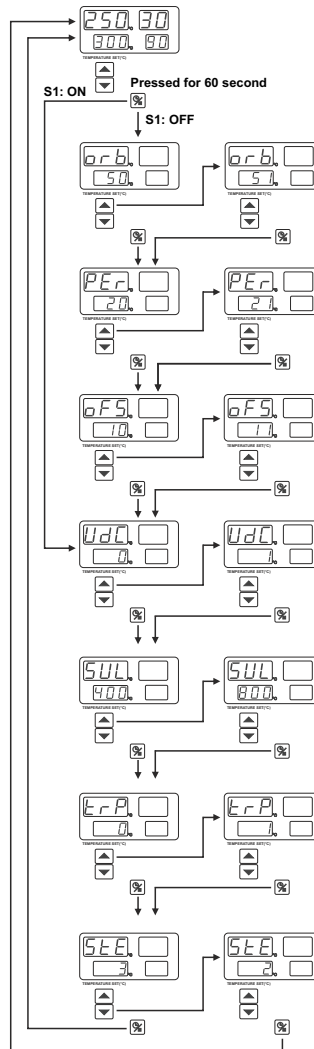
SUL Set value Up Limit Parameter:
Range : 0- Scala (Changes with input type).

ErP Timer Relay Position Parameter:
Range : 0-1
If the parameter is 1, then Timer relay become active position with the time start and becomes passive at the end of the time. If the parameter is 0, then time relay becomes active at the end of the time.

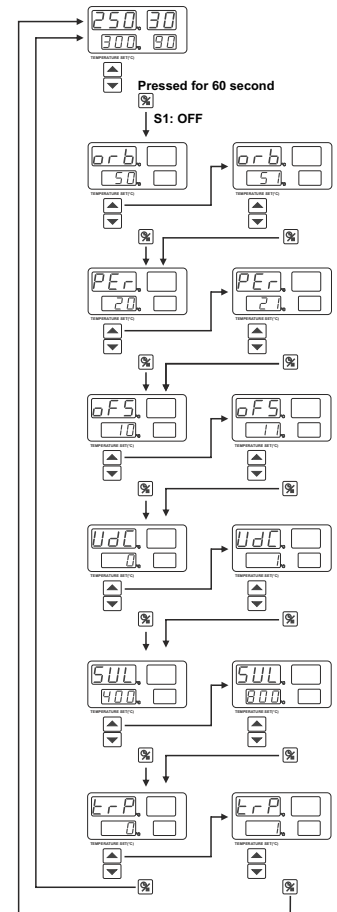
SEB Steam Duration Parameter (RS ESM-9945):
Range : 0- 99 sec.

If the Steam Duration Parameter is selected as zero then the steam output will be on during the Steam button is pressed. If the parameter value is different from zero, after pressing the steam button, output will be on during the Steam Duration Parameter value. If Steam button is pressed when steam output is on, steam output will be off.

RS ESM-9945:



RS ESM-9944:



ORDERING INFORMATION

RS ESM-9944 <small>(96x96 DIN 1/4)</small>	A	BC	D	E	/	FG	HI	/	U	V	W	Z
			0		/		00	/	1	0	RS	PR

RS ESM-9945 <small>(96x96 DIN 1/4)</small>	A	BC	D	E	/	FG	HI	/	U	V	W	Z
			0		/			/	1	0	RS	PR

A Supply Voltage	
3	24V ~ (± 15%) 50/60Hz
4	115V ~ (± 15%) 50/60Hz
5	230V ~ (± 15%) 50/60Hz
9	Customer

BC Input Type	Scale(°C)	
03 PT 100 , IEC751(ITS90)	0°C	400°C
05 J ,Fe CuNi IEC584.1(ITS90)	0°C	800°C
10 K ,NiCr Ni IEC584.1(ITS90)	0°C	999°C

E Output-1 Temperature Control Output	
1	Relay Output (7A@250V ~ @ resistive load, 1 NO)
2	SSR Driver Output (Maximum 20mA, 12V=)

FG Output-2 Time Output	
01	Relay Output (7A@250V ~ @ resistive load, 1 NO)
02	SSR Driver Output (Maximum 20mA, 12V=)

HI Output-3 Steam Output (ESM-9945)	
01	Relay Output (7A@250V ~ @ resistive load, 1 NO)
02	SSR Driver Output (Maximum 20mA, 12V=)

