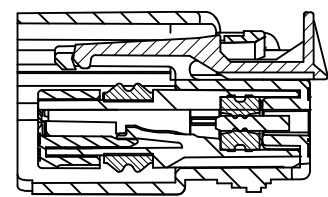
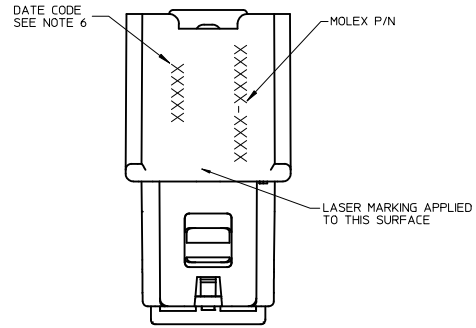


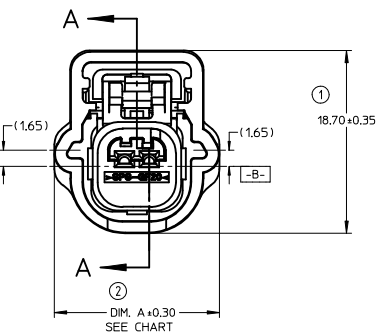
SECTION A-A
TPA SHOWN IN AS-SHIPPED
PRE-LOCKED POSITION
SEE NOTE 3



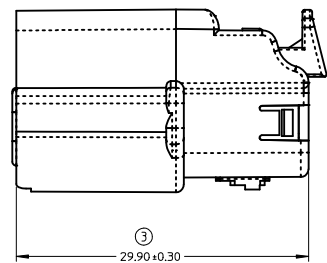
SECTION A-A
TPA SHOWN IN FINAL
LOCKED POSITION



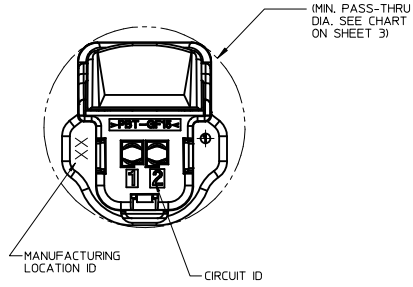
BOTTOM VIEW



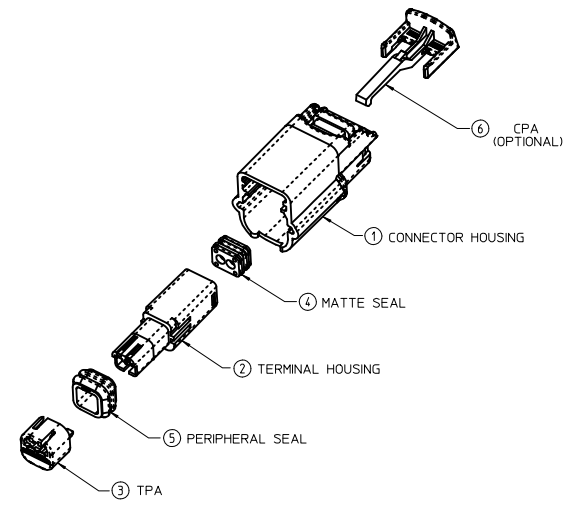
FRONT VIEW



RIGHT SIDE VIEW



BACK VIEW



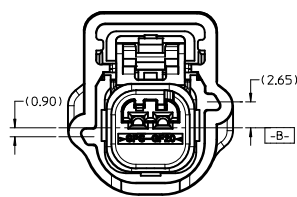
ITEM	DESCRIPTION	COLOR
1	CONNECTOR HOUSING	SEE CHART
2	TERMINAL HOUSING	BLACK
3	TPA	NATURAL
4	MATTE SEAL	SEE CHART
5	PERIPHERAL SEAL	SEE CHART
6	CPA - OPTIONAL	RED

CONNECTOR ASSEMBLY WITHOUT CLIPSLOT

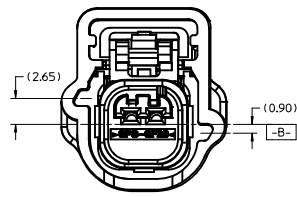
NOTES:

- DESIGNED TO MATE WITH DEVICE CONNECTION AS SPECIFIED IN USCAR INTERFACE DRAWINGS FOR SINGLE ROW SEALED 0.64 SYSTEMS. SEE WWW.USCARTEAMS.ORG.
- ASSEMBLY SHIPPED WITH TPA IN PRE-LOCKED POSITION (SEE SECTION A-A). UPON FULL TERMINAL ASSEMBLY, TPA MUST BE SEATED TO THE FINAL LOCKED POSITION.
- TPA'S MAY BECOME SEATED DURING TRANSIT. IF THIS OCCURS, TPA'S SHOULD BE MOVED TO THE PRE-LOCKED POSITION PRIOR TO FEMALE TERMINAL INSTALLATION. REFERENCE PRODUCT SPECIFICATION: PS-34646-001
- SYSTEM TO BE USED WITH WIRE WITHIN RANGE OF 22 AWG TO 18 AWG. WITH OUTSIDE WIRE DIAMETERS RANGING FROM 150MM TO 2.06MM.
- POLARIZATION FEATURE EFFECTIVENESS PER USCAR-2 PARAGRAPH 5.4.4 IS REDUCED WHEN TESTING ALL POLARIZATION OPTIONS: 100N MIN.
- DATE CODE: FIRST TWO DIGITS ARE THE CALENDAR YEAR (EXAMPLE: 04 = 2004). THIRD THROUGH 5TH DIGIT DAY # OF THE CALENDAR YEAR (EXAMPLE: FEB. 3RD = '034').
- SEE SHEET #2 FOR CONNECTOR ASSEMBLY WITH CLIP SLOT.
- FOR CLIPSLOT CONNECTOR: CLIP OVERHANGS CONNECTOR, PLEASE CHECK APPLICATION (COULD CAUSE WIRE CHAFING)-SHORTER CLIP IS A RECOMMENDATION.

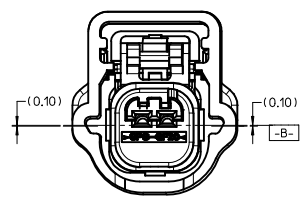
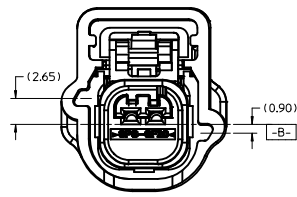
POLARIZATION A



POLARIZATION B



POLARIZATION C



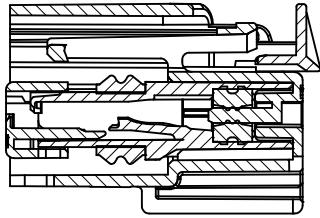
POLARIZATION D

PART NUMBER LEGEND
CONNECTOR ASSEMBLY

- 3140X-XXXX
- SEAL PLUG CONFIGURATION (AS MOLDED)
0 - ALL CIRCUITS OPEN
1-9 SEE CHART
- CPA OPTION
0 OR 2 - WITHOUT CPA
1 OR 3 - WITH CPA
4 - WITHOUT CPA, WITH CLIPSLOT
5 - WITH CPA, WITH CLIPSLOT
- USCAR POLARIZATION OPTION
1 - POLARIZATION OPTION A
2 - POLARIZATION OPTION B
3 - POLARIZATION OPTION C
4 - POLARIZATION OPTION D
5 - POLARIZATION OPTION B, BLACK
6 - POLARIZATION OPTION C, BLACK
7 - POLARIZATION OPTION D, BLACK
- CIRCUIT SIZE 2, 3, 4, 5, 6 & 8
- TERMINAL OPTION
2 - TYCO/MOLEX GET 0.64
3 - MOLEX 0.64
4 - YAZAKI KAIZEN 0.64

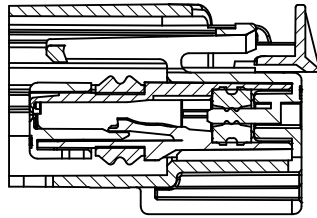
EC NO: UAU2011-0398
DRAWN: KUNNINGHAM 2010/10/05
CHKD: CHYK
APPR: WKOSHY
REV 1

QUALITY SYMBOLS		GENERAL TOLERANCES (UNLESS SPECIFIED)		DIMENSION STYLE		SCALE	DESIGN UNITS	THIRD ANGLE PROJECTION	
		mm	INCH	MM ONLY		4:1	METRIC		
4 PLACES	±0.10	±0.10	±0.004	DRAWN BY	DATE	TITLE			
3 PLACES	±0.13	±0.13	±0.005	CHECKED BY	DATE	0.64 USCAR CONNECTOR SEALED SINGLE ROW ASSEMBLY			
2 PLACES	±0.13	±0.13	±0.005	RCARLSON	2003/09/25	MOLEX INCORPORATED			
1 PLACE	±0.3	±0.3	±0.010	RCARLSON	2004/09/28				
ANGULAR ± 3°				APPROVED BY	DATE	DOCUMENT NO.			
				VKOSHY	2010/11/22	SD-31402-211			
DRAFT WHERE APPLICABLE MUST REMAIN WITHIN DIMENSIONS				MATERIAL NO.		SEE CHART		SHEET NO.	
								1 OF 5	
THIS DRAWING CONTAINS INFORMATION THAT IS PROPRIETARY TO MOLEX INCORPORATED AND SHOULD NOT BE USED WITHOUT WRITTEN PERMISSION									



SECTION C-C

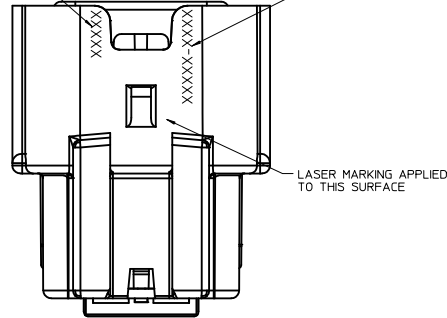
TPA SHOWN IN AS-SHIPPED
PRE-LOCKED POSITION
SEE NOTE 3



SECTION C-C

TPA SHOWN IN FINAL
LOCKED POSITION

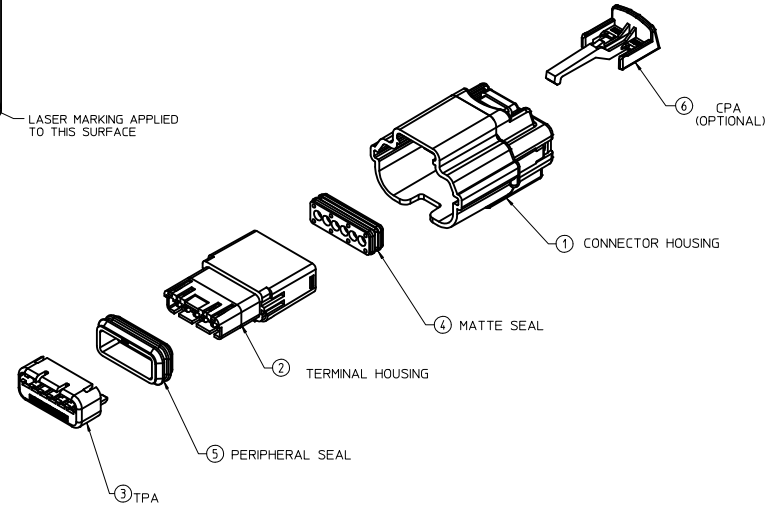
DATE CODE
SEE NOTE 6



BOTTOM VIEW

MOLEX P/N

LASER MARKING APPLIED
TO THIS SURFACE



CPA
(OPTIONAL)

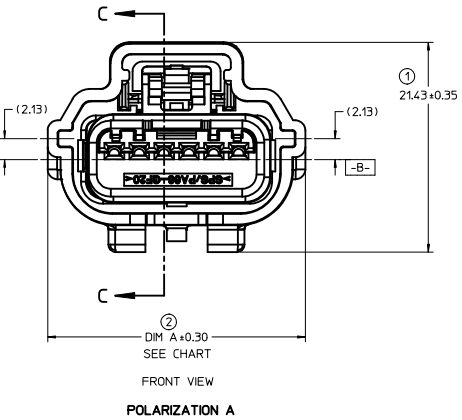
CONNECTOR HOUSING

MATTE SEAL

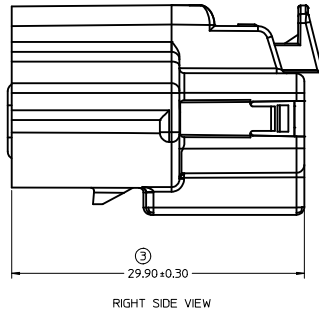
TERMINAL HOUSING

PERIPHERAL SEAL

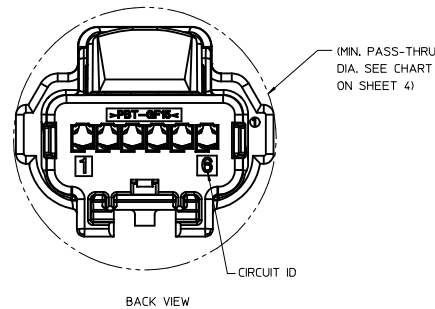
TPA



POLARIZATION A



RIGHT SIDE VIEW



BACK VIEW

(MIN. PASS-THRU
DIA. SEE CHART
ON SHEET 4)

CIRCUIT ID

CONNECTOR ASSEMBLY
WITH CLIPSLOT

ENTER DESCRIPTION IEC NO. UAU2011-0398 DRAWN/CUNNINGHAM 2010/00/05 CHKD: APPR:VKOSHY 2010/11/22	QUALITY SYMBOLS	GENERAL TOLERANCES (UNLESS SPECIFIED)	DIMENSION STYLE	SCALE	DESIGN UNITS	THIRD ANGLE PROJECTION															
	$\nabla=0$ $\nabla=0$ $\nabla=0$	<table border="1"> <thead> <tr> <th></th> <th>mm</th> <th>INCH</th> </tr> </thead> <tbody> <tr> <td>4 PLACES</td> <td>±---</td> <td>±---</td> </tr> <tr> <td>3 PLACES</td> <td>±---</td> <td>±---</td> </tr> <tr> <td>2 PLACES</td> <td>±0.13</td> <td>±---</td> </tr> <tr> <td>1 PLACE</td> <td>±0.3</td> <td>±---</td> </tr> </tbody> </table>		mm	INCH	4 PLACES	±---	±---	3 PLACES	±---	±---	2 PLACES	±0.13	±---	1 PLACE	±0.3	±---	MM ONLY	4:1	METRIC	
		mm	INCH																		
	4 PLACES	±---	±---																		
3 PLACES	±---	±---																			
2 PLACES	±0.13	±---																			
1 PLACE	±0.3	±---																			
DRAWN BY: R. CARLSON CHECKED BY: DATE APPROVED BY: VKOSHY DATE: 2010/11/22	MATERIAL NO. SEE CHART DOCUMENT NO. SD-31402-211	TITLE: 0.64 USCAR CONNECTOR SEALED SINGLE ROW ASSEMBLY MOLEX INCORPORATED	SHEET NO. 2 OF 5																		
DRAFT WHERE APPLICABLE MUST REMAIN WITHIN DIMENSIONS																					

PART NUMBER WITHOUT CPA	PART NUMBER WITH CPA	CLIPSLOT OPTION	ROW/CIRCUITS	KEY*	SEAL COLOR	CONNECTOR COLOR	WIDTH DIM (A)	MIN. PASS THRU DIA.	FEMALE TERMINAL SUPPLIER	USCAR FOOTPRINT DRAWING NO.	STATUS						
31402-2100	31402-2100	NO	1 X 2	A	BLUE	BLACK	16.88	(20.80)	TYCO OR MOLEX GET 0.64	064-S-002-1-202	TOOLED						
31402-2200	31402-2200			B		GRAY					TOOLED						
31402-2300	31402-2300			C		BROWN					TOOLED, COLOR UNAVAILABLE						
31402-2400	31402-2400			D		GREEN					TOOLED, COLOR UNAVAILABLE						
31402-2500	31402-2500			B		BLACK					TOOLED						
31402-2600	31402-2600			C		BLACK					TOOLED						
31402-2700	31402-2700			D		BLACK					TOOLED						
31403-2100	31403-2100			A		BLACK					TOOLED						
31403-2200	31403-2200			B		GRAY					TOOLED						
31403-2300	31403-2300			C		BROWN					TOOLED, COLOR UNAVAILABLE						
31403-2400	31403-2400			D		GREEN					TOOLED, COLOR UNAVAILABLE						
31403-2500	31403-2500			B		BLACK					TOOLED						
31403-2600	31403-2600			C		BLACK			TOOLED BUT NOT VALIDATED								
31403-2700	31403-2700			D		BLACK			TOOLED								
31404-2100	31404-2100			A		BLACK			NOT TOOLED								
31404-2200	31404-2200			B		GRAY			NOT TOOLED								
31404-2300	31404-2300			C		BROWN			NOT TOOLED								
31404-2400	31404-2400			D		GREEN			NOT TOOLED								
31404-2500	31404-2500			B		BLACK			NOT TOOLED								
31404-2600	31404-2600			C		BLACK			NOT TOOLED								
31404-2700	31404-2700			D		BLACK			NOT TOOLED								
31402-3100	31402-3100			NO		1 X 3			A		RUST RED	BLACK	18.70	(22.00)	TYCO OR MOLEX GET 0.64	064-S-003-1-201	TOOLED
31402-3200	31402-3200								B			GRAY					TOOLED
31402-3300	31402-3300								C			BROWN					TOOLED, COLOR UNAVAILABLE
31402-3400	31402-3400	D	GREEN		TOOLED, COLOR UNAVAILABLE												
31402-3500	31402-3500	B	BLACK		TOOLED												
31402-3600	31402-3600	C	BLACK		TOOLED												
31402-3700	31402-3700	D	BLACK		TOOLED												
31403-3100	31403-3100	A	BLACK		TOOLED												
31403-3200	31403-3200	B	GRAY		TOOLED												
31403-3300	31403-3300	C	BROWN		TOOLED, COLOR UNAVAILABLE												
31403-3400	31403-3400	D	GREEN		TOOLED, COLOR UNAVAILABLE												
31403-3500	31403-3500	B	BLACK		TOOLED												
31403-3600	31403-3600	C	BLACK		TOOLED												
31403-3700	31403-3700	D	BLACK		TOOLED												
31404-3100	31404-3100	A	BLACK		TOOLED												
31404-3200	31404-3200	B	GRAY		TOOLED												
31404-3300	31404-3300	C	BROWN		TOOLED, COLOR UNAVAILABLE												
31404-3400	31404-3400	D	GREEN		TOOLED, COLOR UNAVAILABLE												
31404-3500	31404-3500	B	BLACK		TOOLED												
31404-3600	31404-3600	C	BLACK		TOOLED												
31404-3700	31404-3700	D	BLACK		TOOLED												
31402-4100	31402-4100	NO	1 X 4		A		BLUE	BLACK	21.25	(22.34)		TYCO OR MOLEX GET 0.64			064-S-004-1-202		NOT TOOLED
31402-4200	31402-4200				B			GRAY									NOT TOOLED
31402-4300	31402-4300				C			BROWN									NOT TOOLED
31402-4400	31402-4400			D	GREEN	NOT TOOLED											
31402-4500	31402-4500			B	BLACK	NOT TOOLED											
31402-4600	31402-4600			C	BLACK	NOT TOOLED											
31402-4700	31402-4700			D	BLACK	NOT TOOLED											
31403-4100	31403-4100			A	BLACK	NOT TOOLED											
31403-4200	31403-4200			B	GRAY	NOT TOOLED											
31403-4300	31403-4300			C	BROWN	NOT TOOLED											
31403-4400	31403-4400			D	GREEN	NOT TOOLED											
31403-4500	31403-4500			B	BLACK	NOT TOOLED											
31403-4600	31403-4600			C	BLACK	NOT TOOLED											
31403-4700	31403-4700			D	BLACK	NOT TOOLED											
31404-4100	31404-4100			A	BLACK	NOT TOOLED											
31404-4200	31404-4200			B	GRAY	NOT TOOLED											
31404-4300	31404-4300			C	BROWN	NOT TOOLED											
31404-4400	31404-4400			D	GREEN	NOT TOOLED											
31404-4500	31404-4500			B	BLACK	NOT TOOLED											
31404-4600	31404-4600			C	BLACK	NOT TOOLED											
31404-4700	31404-4700			D	BLACK	NOT TOOLED											

IEC NO: UAU2011-0398 DRAWN: KUNNINGHAM 2010/10/05 CHKD: APPR: VKOSHY 2010/11/22	QUALITY SYMBOLS	GENERAL TOLERANCES (UNLESS SPECIFIED)	DIMENSION STYLE	SCALE	DESIGN UNITS	THIRD ANGLE PROJECTION
	$\nabla=0$ $\nabla=0$	mm INCH 4 PLACES ± .001 ± .001 3 PLACES ± .005 ± .005 2 PLACES ± 0.13 ± .005 1 PLACE ± 0.3 ± .005 ANGULAR ± 3°	MM ONLY	4:1	METRIC	
	DRAWN BY: R. CARLSON CHECKED BY: R. CARLSON APPROVED BY: VKOSHY DATE: 2010/11/22	DATE: 2003/09/25 DATE: 2004/09/28 DATE: 2010/11/22	0.64 USCAR CONNECTOR SEALED SINGLE ROW ASSEMBLY			
	MATERIAL NO. SD-31402-211 SIZE D	DOCUMENT NO. SD-31402-211 SHEET NO. 3 OF 5	MOLEX INCORPORATED THIS DRAWING CONTAINS INFORMATION THAT IS PROPRIETARY TO MOLEX INCORPORATED AND SHOULD NOT BE USED WITHOUT WRITTEN PERMISSION			

PART NUMBER WITHOUT CPA	PART NUMBER WITH CPA	CLIP/SLOT OPTION	ROW/ CIRCUITS	KEY*	SEAL COLOR	CONNECTOR COLOR	WIDTH (DIM)	MIN. PASS THRU DIA.	FEMALE TERMINAL SUPPLIER	USCAR FOOTPRINT DRAWING NO.	STATUS
31402-5100	31402-5110	NO	1 X 5	A	RUST RED	BLACK	23.80	(24.28)	TYCO OR MOLEX GET 0.64	064-S-005-1-Z02	NOT TOOLED
31402-5200	31402-5210			B		GRAY					NOT TOOLED
31402-5300	31402-5310			C		BROWN					NOT TOOLED
31402-5400	31402-5410			D		GREEN					NOT TOOLED
31402-5500	31402-5510			B		BLACK					NOT TOOLED
31402-5600	31402-5610			C		BLACK					NOT TOOLED
31402-5700	31402-5710			D		BLACK					NOT TOOLED
31403-5100	31403-5110			A		BLACK					NOT TOOLED
31403-5200	31403-5210			B		GRAY					NOT TOOLED
31403-5300	31403-5310			C		BROWN					NOT TOOLED
31403-5400	31403-5410			D		GREEN			NOT TOOLED		
31403-5500	31403-5510			B		BLACK			NOT TOOLED		
31403-5600	31403-5610			C		BLACK			NOT TOOLED		
31403-5700	31403-5710			D		BLACK			NOT TOOLED		
31404-5100	31404-5110			A		BLACK			NOT TOOLED		
31404-5200	31404-5210			B		GRAY			NOT TOOLED		
31404-5300	31404-5310			C		BROWN			NOT TOOLED		
31404-5400	31404-5410			D		GREEN			NOT TOOLED		
31404-5500	31404-5510			B		BLACK			NOT TOOLED		
31404-5600	31404-5610			C		BLACK			NOT TOOLED		
31404-5700	31404-5710	D	BLACK	NOT TOOLED							
31402-6100	31402-6110	NO	1 X 6	A	BLUE	BLACK	26.33	(26.82)	TYCO OR MOLEX GET 0.64	064-S-006-1-Z02	TOOLED
31402-6200	31402-6210			B		GRAY					TOOLED
31402-6300	31402-6310			C		BROWN					TOOLED, COLOR UNAVAILABLE
31402-6400	31402-6410			D		GREEN					TOOLED, COLOR UNAVAILABLE
31402-6500	31402-6510			B		BLACK					TOOLED
31402-6600	31402-6610			C		BLACK					TOOLED
31402-6700	31402-6710			D		BLACK					TOOLED
31403-6100	31403-6110			A		BLACK					TOOLED
31403-6200	31403-6210			B		GRAY					TOOLED
31403-6300	31403-6310			C		BROWN					TOOLED, COLOR UNAVAILABLE
31403-6400	31403-6410			D		GREEN			TOOLED, COLOR UNAVAILABLE		
31403-6500	31403-6510			B		BLACK			TOOLED		
31403-6600	31403-6610			C		BLACK			TOOLED		
31403-6700	31403-6710			D		BLACK			TOOLED		
31404-6100	31404-6110			A		BLACK			TOOLED		
31404-6200	31404-6210			B		GRAY			TOOLED		
31404-6300	31404-6310			C		BROWN			TOOLED, COLOR UNAVAILABLE		
31404-6400	31404-6410			D		GREEN			TOOLED, COLOR UNAVAILABLE		
31404-6500	31404-6510			B		BLACK			TOOLED		
31404-6600	31404-6610			C		BLACK			TOOLED		
31404-6700	31404-6710	D	BLACK	TOOLED							

EC NO: UAU2011-0398 DRAWN: CUNNINGHAM 2010/10/05 CHKD: JZ APPR: VKOSHY 2010/11/22	QUALITY SYMBOLS	GENERAL TOLERANCES (UNLESS SPECIFIED)	DIMENSION STYLE	SCALE	DESIGN UNITS	THIRD ANGLE PROJECTION
	▽=0 ▽=0	mm INCH 4 PLACES ± --- ± --- 3 PLACES ± --- ± --- 2 PLACES ± 0.13 ± --- 1 PLACE ± 0.3 ± --- ANGULAR ± 3 °	MM ONLY	4:1	METRIC	
	DRAWN BY: R CARLSON CHECKED BY: R CARLSON APPROVED BY: VKOSHY DATE: 2010/11/22	DATE: 2003/09/25 DATE: 2004/09/28	TITLE: 0.64 USCAR CONNECTOR SEALED SINGLE ROW ASSEMBLY			
	MATERIAL NO: SEE CHART SIZE: D	DOCUMENT NO: SD-31402-211 SHEET NO: 4 OF 5	MOLEX INCORPORATED THIS DRAWING CONTAINS INFORMATION THAT IS PROPRIETARY TO MOLEX INCORPORATED AND SHOULD NOT BE USED WITHOUT WRITTEN PERMISSION			

PART NUMBER WITHOUT CPA	PART NUMBER WITH CPA	CLIPSLOT OPTION	ROW/ CIRCUITS	KEY*	SEAL COLOR	CONNECTOR COLOR	WIDTH DIM (A)	MIN. PASS THRU DIA.	FEMALE TERMINAL SUPPLIER	USCAR FOOTPRINT DRAWING NO.	STATUS						
31402-8100	31402-8110	NO	1 X 8	A	BLUE	BLACK	3125	(31.90)	TYCO OR MOLEX GET 0.64	064-S-008-1-Z02	NOT TOOLED						
31402-8200	31402-8210			B		GRAY					NOT TOOLED						
31402-8300	31402-8310			C		BROWN					NOT TOOLED						
31402-8400	31402-8410			D		GREEN					NOT TOOLED						
31402-8500	31402-8510			B		BLACK					NOT TOOLED						
31402-8600	31402-8610			C		BLACK					NOT TOOLED						
31402-8700	31402-8710			D		BLACK					NOT TOOLED						
31403-8100	31403-8110			A		BLACK					NOT TOOLED						
31403-8200	31403-8210			B		GRAY					NOT TOOLED						
31403-8300	31403-8310			C		BROWN					NOT TOOLED						
31403-8400	31403-8410			D		GREEN					NOT TOOLED						
31403-8500	31403-8510			B		BLACK					NOT TOOLED						
31403-8600	31403-8610			C		BLACK			NOT TOOLED								
31403-8700	31403-8710			D		BLACK			NOT TOOLED								
31404-8100	31404-8110			A		BLACK			NOT TOOLED								
31404-8200	31404-8210			B		GRAY			NOT TOOLED								
31404-8300	31404-8310			C		BROWN			NOT TOOLED								
31404-8400	31404-8410			D		GREEN			NOT TOOLED								
31404-8500	31404-8510			B		BLACK			NOT TOOLED								
31404-8600	31404-8610			C		BLACK			NOT TOOLED								
31404-8700	31404-8710			D		BLACK			NOT TOOLED								
															MOLEX 0.64		
															YAZAKI KAIZEN 0.64		

ADDITIONAL CAVITY PLUG CONFIGURATIONS:

ROW/ CIRCUITS	FEMALE TERMINAL	MOLEX P/N WITH CPA	MOLEX P/N WITHOUT CPA	KEY OPTION	CLIPSLOT OPTION	COLOR	CIRCUIT NUMBER: "0" INDICATED PLUG LOCATION						TOTAL CIRCUITS PLUGGED	STATUS
							1	2	3	4	5	6		
1X6	TYCO/MOLEX GET	31402-6110	31402-6100	A	NO	BLACK							0	TOOLED
		31402-6111	31402-6101	A	NO	BLACK	0	0	0	0	0	0	6	TOOLED
		31402-6112	31402-6102	A	NO	BLACK	0	0					2	TOOLED
		31402-6113	31402-6103	A	NO	BLACK			0				1	TOOLED
		31402-6114	31402-6104	A	NO	BLACK	0	0	0	0			4	TOOLED
		31402-6115	31402-6105	A	NO	BLACK					0	0	3	TOOLED
			31402-6150	31402-6140	A	YES	BLACK						0	TOOLED
		MOLEX 0.64	31403-6110	31403-6100	A	NO	BLACK						0	TOOLED
			31403-6111	31403-6101	A	NO	BLACK	0	0	0	0	0	6	TOOLED
			31403-6112	31403-6102	A	NO	BLACK				0		1	TOOLED
		YAZAKI KAIZEN	31404-6110	31404-6100	A	NO	BLACK						0	TOOLED
			31404-6111	31404-6101	A	NO	BLACK	0	0	0	0	0	6	TOOLED
			31404-6112	31404-6102	A	NO	BLACK	0		0			2	TOOLED
			31404-6113	31404-6103	A	NO	BLACK					0	2	TOOLED
			31404-6116	31404-6106	A	NO	BLACK					0	1	TOOLED
			31404-6117	31404-6107	A	NO	BLACK	0		0		0	3	TOOLED
			31404-6118	31404-6108	A	NO	BLACK	0					1	TOOLED
			31404-6119	31404-6109	A	NO	BLACK			0	0	3	TOOLED	
			31404-6132	31404-6122	A	NO	BLACK			0		1	TOOLED	

ENTER DESCRIPTION EC NO. UAU2011-0398 DRAWN/CUNNINGHAM 2010/10/05 CHKD: JZ APPR: VKOSHY 2010/11/22	QUALITY SYMBOLS	GENERAL TOLERANCES (UNLESS SPECIFIED)	DIMENSION STYLE	SCALE	DESIGN UNITS	THIRD ANGLE PROJECTION	
	∇=0 ∇=0 ∇=0	4 PLACES ± 0.13 3 PLACES ± 0.13 2 PLACES ± 0.13 1 PLACE ± 0.3	mm INCH	MM ONLY	4:1	METRIC	DRAWN BY: R. CARLSON CHECKED BY: R. CARLSON APPROVED BY: VKOSHY DATE: 2003/09/25 DATE: 2004/09/28 DATE: 2010/11/22
	DRAFT WHERE APPLICABLE MUST REMAIN WITHIN DIMENSIONS		MATERIAL NO. SEE CHART		DOCUMENT NO. SD-31402-211		SHEET NO. 5 OF 5
	THIS DRAWING CONTAINS INFORMATION THAT IS PROPRIETARY TO MOLEX INCORPORATED AND SHOULD NOT BE USED WITHOUT WRITTEN PERMISSION						