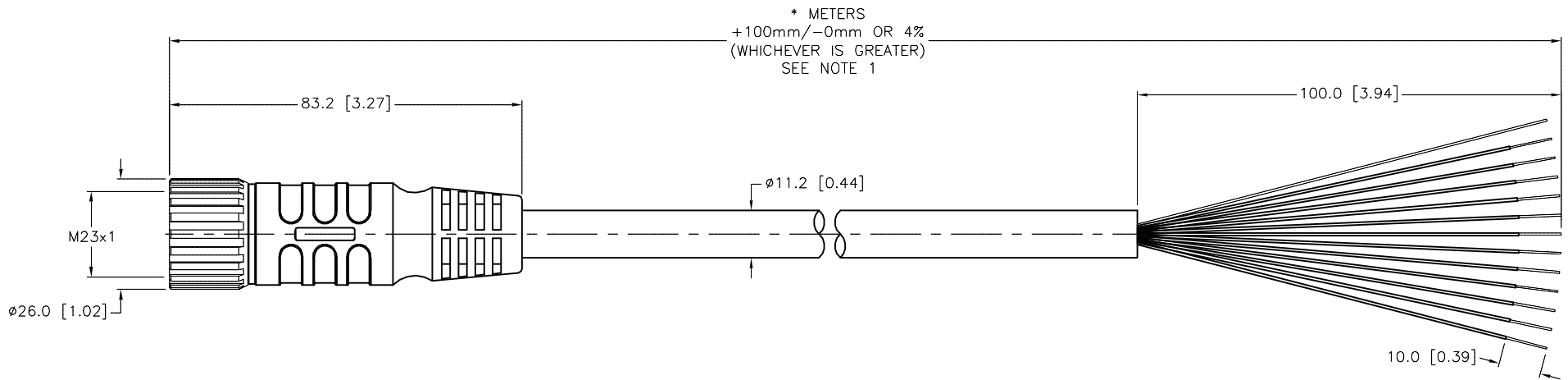
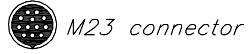
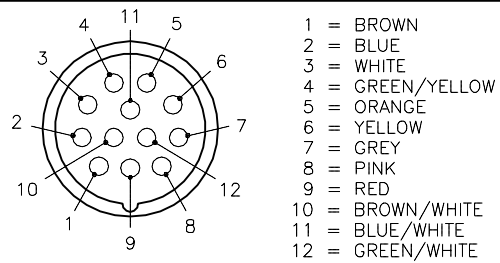


SPECIFICATIONS

| | |
|-------------------------------|------------------------------------|
| CONTACT CARRIER MATERIAL | NYLON or PBT |
| MOLDED HEAD MATERIAL/COLOR | TPU/BLACK |
| CONTACT MATERIAL/PLATING | BRASS/GOLD |
| COUPLING NUT MATERIAL/PLATING | BRASS/NICKEL |
| RATED CURRENT [A] | 6.0 A |
| RATED VOLTAGE [V] | 300 V |
| OUTER JACKET MATERIAL/COLOR | PVC/YELLOW |
| CONDUCTOR INSULATION MATERIAL | PVC |
| NUMBER OF CONDUCTORS | 12x18 AWG |
| DRAIN/SHIELD | 20 AWG DRAIN/POLYESTER FOIL SHIELD |
| TEMPERATURE RATING | -40°C to +105°C (-40°F to +221°F) |
| PROTECTION CLASS | IEC IP67 |

MALE END VIEW



| CABLE LENGTH | TOLERANCE* |
|--------------|---|
| ALL LENGTHS | + 4% (OR 50mm) OF LENGTH - 0% (OR 0mm) OF LENGTH WHICHEVER IS GREATER |
| STRIP LENGTH | TOLERANCE* |
| 0-7mm | ±0.5mm |
| 8-29mm | ±1.0mm |
| 30-49mm | ±2.0mm |
| 50-69mm | ±3.0mm |
| 70-100mm | ±4.0mm |
| OVER 100mm | ±5.0mm |

* UNLESS OTHERWISE SPECIFIED

SOURCE DRAWING - FOR REFERENCE ONLY

NOTES:

- "*" INDICATES CABLE LENGTH IN METERS. CONTACT TURCK TO ORDER SPECIFIC LENGTHS.
- "/S817" DESIGNATES SPECIAL COLOR CODE.

| | | | | | |
|--------------------|---|--|-----|--|----------|
| RELATED DOCUMENTS | 3RD ANGLE PROJECTION | THIS DRAWING IS CONFIDENTIAL AND THE PROPERTY OF TURCK INC. USE OF THIS DOCUMENT WITHOUT WRITTEN PERMISSION IS PROHIBITED. | | TURCK INC High Technology Sensors and Automation Controls 3000 CAMPUS DRIVE MINNEAPOLIS, MN 55441 1-800-544-7769 (763) 553-7300 (763) 553-0708 fax turck.com | |
| 1. | | DRFT | RWC | DATE | 09/06/05 |
| 2. | | APVD | | SCALE | 1=1.5 |
| 3. | ALL DIMENSIONS DISPLAYED ON THIS DRAWING ARE FOR REFERENCE ONLY | UNIT OF MEASUREMENT | | DESCRIPTION | |
| 4. | | MILLIMETER [INCH] | | CSM 12-12-*/S817 | |
| MATERIAL | CONTACT TURCK FOR MORE INFORMATION | IDENTIFICATION NO. | | REV | |
| SEE SPECIFICATIONS | | | | E | |
| FINISH | DO NOT SCALE THIS DRAWING | FILE: 777006567 | | SHEET 1 OF 1 | |
| SEE SPECIFICATIONS | | | | | |

| | | | | |
|-----|-----------------------|-----|----------|---------|
| E | UPDATE CABLE DIAMETER | KMY | 02/14/13 | 40654 |
| REV | DESCRIPTION | BY | DATE | ECO NO. |