

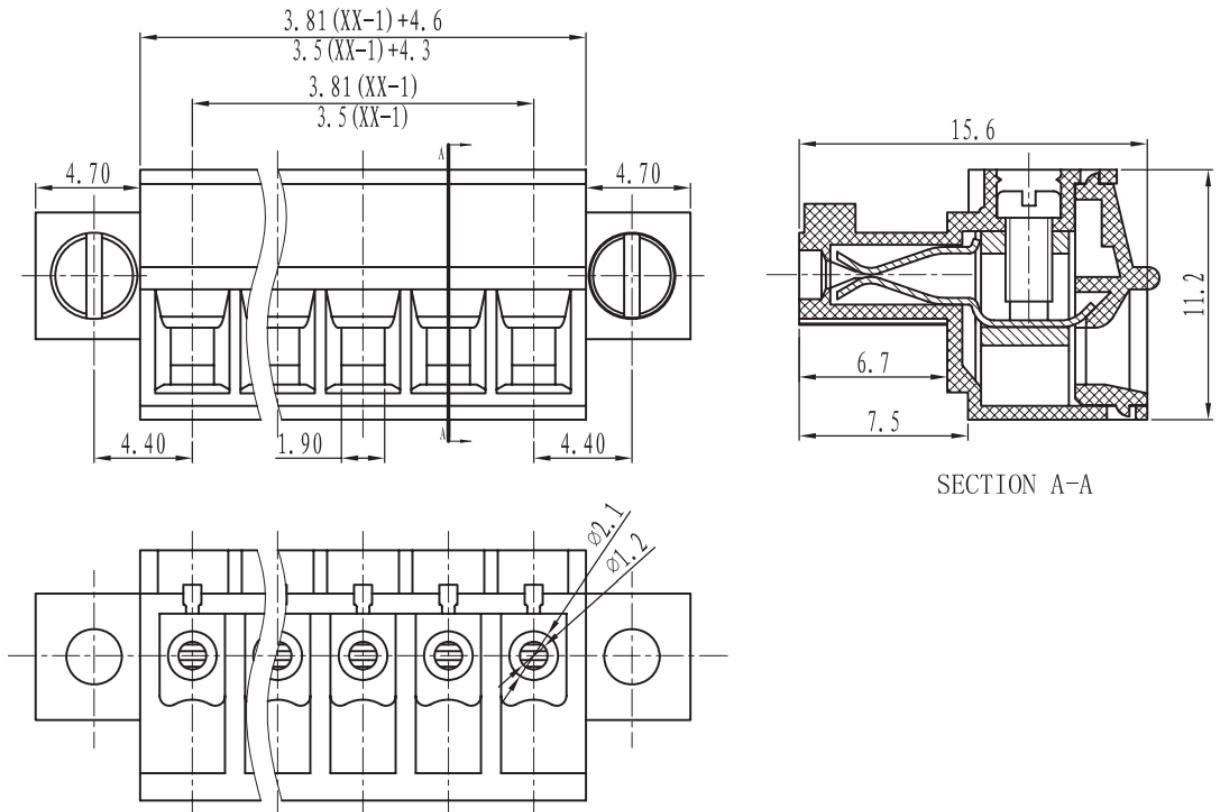
Datasheet

New 3.5mm Plug with Flange 8A 5 Way

RS Stock 874-5091



Dimensions: (mm)





Specifications

Electrical

Standard: UL IEC
 Rated voltage: 300V 250V
 Rated current: 8A 10A
 Contact resistance: 20mΩ
 Wire range: 28-16AWG 1.5mm²
 Withstanding voltage: AC2000V/1Min
 Insulation resistance: 500MΩ/DC500V

Mechanical

Temp.Range: -40° C~+105° C
 Torque: 0.2Nm(1.71lb`in)
 Strip length: 6-7mm

Dimensions

Pitch: 3.81mm/3.5mm
 Poles: 2P-24P

Material

Housing: PA66, UL94V-0
 Screws: M2, steel Zinc plated
 Wire guard: Brass, Ni plated
 Clamp: Phosphor bronze, Ni plated

Tolerances Except As Noted

	linear dimension					fillet	chamfer	∠ short angle sid				≡	—	□	//	⊥	
	to	over	over	over	over			to	to	to	to						to
variable range	6	6 to 30	30 to 120	120 to 480	480 to	all	6 to 6	10 to 10	50 to 50	120 to 120	all	5 to 5	30 to 30	120 to 120	to		
tolerance	±0.1	±0.2	±0.3	±0.5	±0.9	±0.2	±0.5	±1	1°	30'	20'	10'	0.5	0.025	0.06	0.12	0.4