

**Ordering number** C13253_TINA2-R-CLIP16

Family	Tina2	FWHM	74 degrees
Type	Reflector	Efficiency	89 %
LED	LUXEON Rebel ES	cd/lm	0.550
Color	Clear	Gerber File	Available
Diameter	16.1 mm		
Height	10.1 mm		
Style	Round		
Optic Material	PC		
Holder Material	-		
Fastening	Clips		
Status	Ready		

NOTE: The typical divergence will be changed by different color, chip size and chip position tolerance. The typical total divergence is the full angle measured where the luminous intensity is half of the peak value.



PRODUCT DATASHEET

Tina2 series

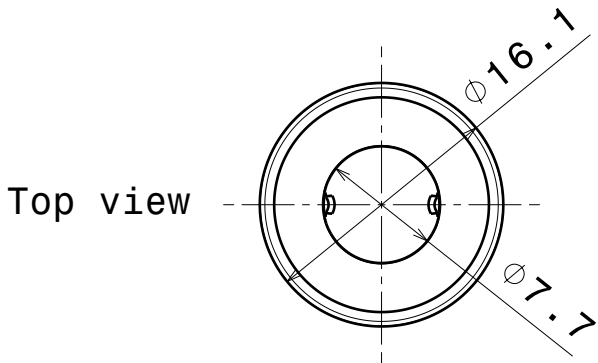
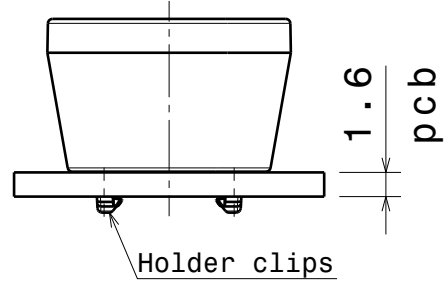
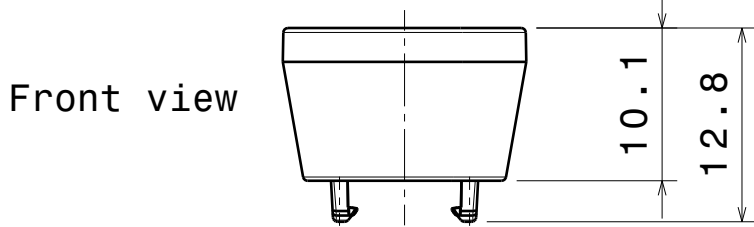
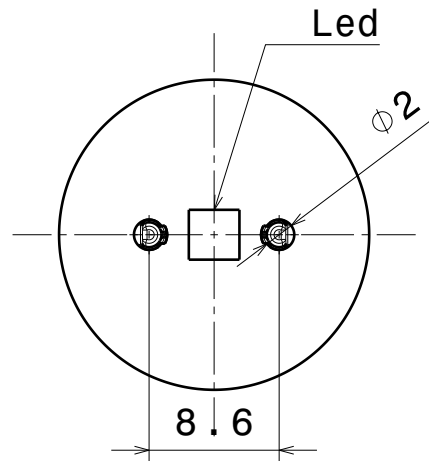
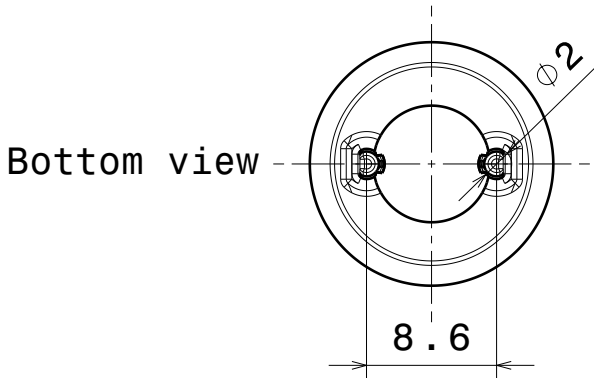
last update 18/2/2013

PHILIPS
LUMILEDS

GENERAL INFORMATION

- Product series especially designed & optimized for LUXEON Rebel ES series of LEDs.
- Special care taken to make light distribution as uniform as possible.
- Reflector is made of aluminium coated PC (120 degrees of Celcius / 248 degrees of Fahrenheit) with protective lacquer (110 degrees of Celcius / 230 degrees of Fahrenheit).

INDEX	PART NO	DESCRIPTION	MATERIAL
1	C13253	TINA2-R-CLIP16	PC



Tolerances if not otherwise shown:
According to DIN ISO 2768-1
Linear measures:
Up to 30mm class F, otherwise class M.
According to DIN ISO 2768-2
Form and position:
class K

This drawing is our property.
It can't be reproduced
or communicated without
our written agreement.



Ledil Oy
Salorankatu 10
FIN 24240 SALO
Finland

DRAWING TITLE

Part Drawing

DRAWN BY
mav

DATE
24.10.2012

Datasheet C13253 TINA2-R-CLIP16

CHECKED BY
VS

DATE
24.10.2012

SIZE PART NUMBER
A4 C13253

REV
001

DESIGNED BY
mav

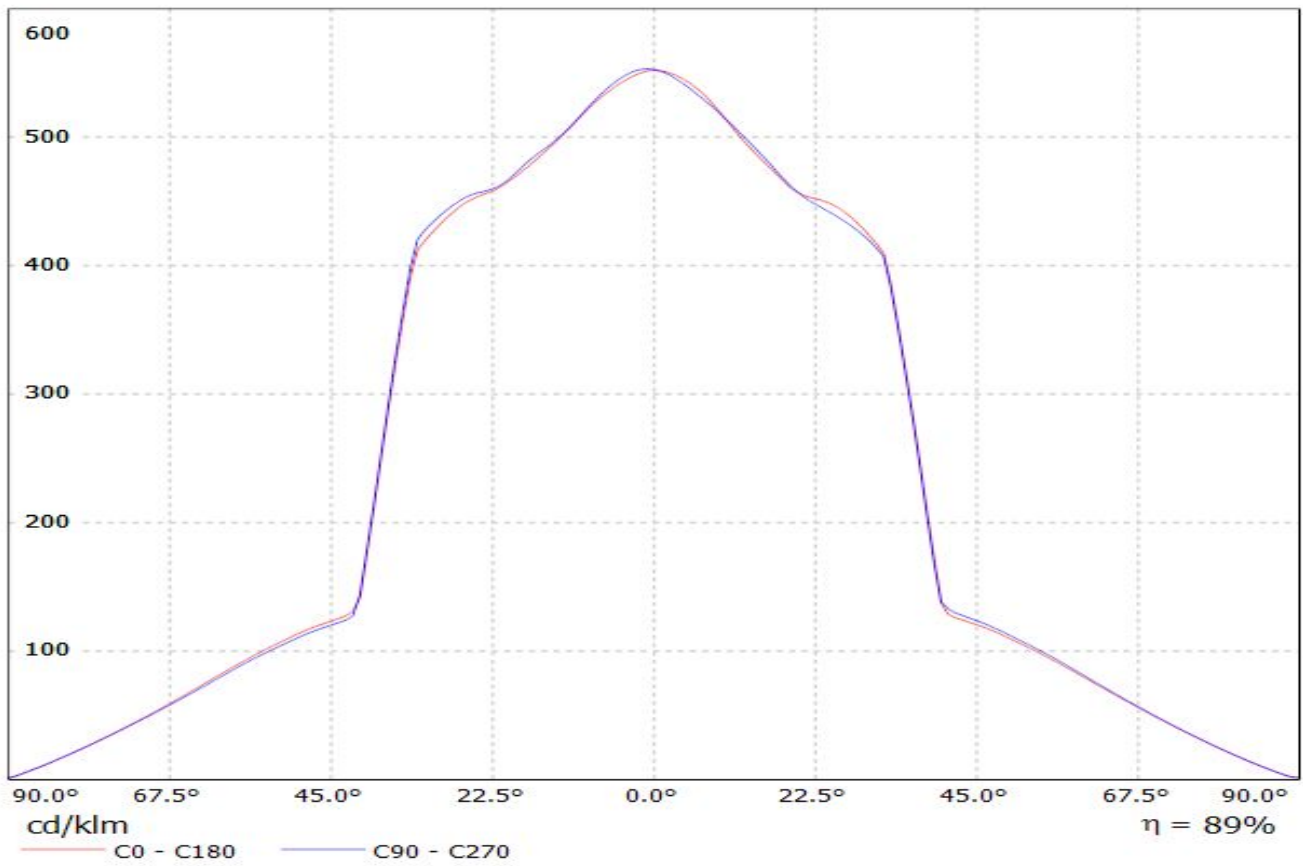
DATE
23.10.2012

SCALE 2:1 WEIGHT 0,789g SHEET 1/1

D

A

Luminaire: LEDiL Oy C13253_TINA2-R-CLIP16_(Luxeon_Rebel-ES) Eff. 89,3%
Lamps: 1 x Luxeon Rebel-ES (89lm@250mA)



Luminaire: LEDiL Oy C13253_TINA2-R-CLIP16_(Luxeon_Rebel-ES) Eff. 89,3%
Lamps: 1 x Luxeon Rebel-ES (89lm@250mA)

