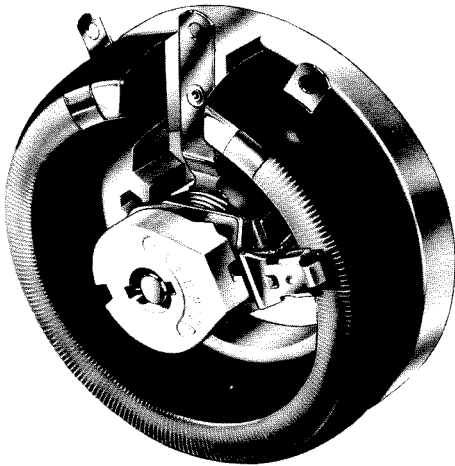




# RT230 RTE230

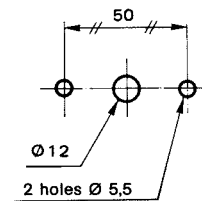
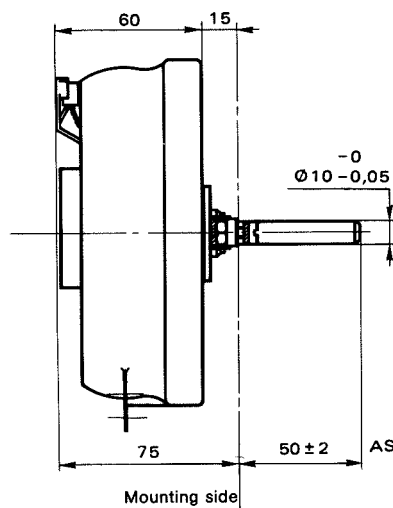
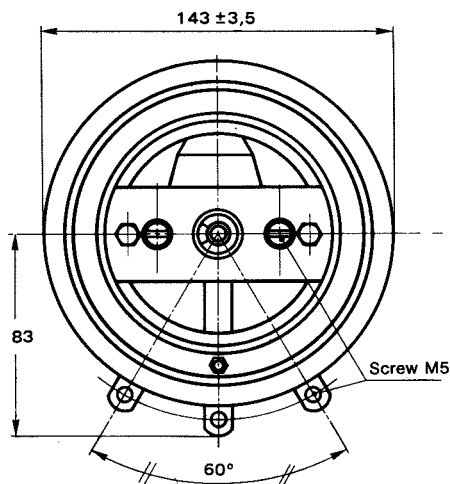
## wirewound rheostat / potentiometer

250 W at 25°C  
160 W at 25°C  
CCTU 05-03B (PA7)



RT230-PA7

PANEL CUT OUT DETAILS



Dimensions in mm

### SPECIFICATIONS

#### MECHANICAL

MECHANICAL PROTECTION... RT230 vitreous  
RTE230 lacquered  
MECHANICAL TRAVEL... 300° ± 5°  
OPERATING TORQUE... 10 to 50 Ncm  
END STOP TORQUE... 200 Ncm  
UNIT WEIGHT... 1300 g

#### ENVIRONMENTAL

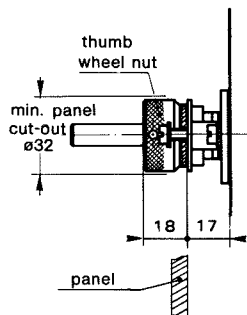
TEMPERATURE RANGE... RT230 -55°C +320°C  
RTE230 -55°C +220°C  
CLIMATIC CATEGORY... CCTU 454  
CEI 55 / 200 / 56

#### ELECTRICAL

OHMIC RANGE... RT230 1 Ω... 22 kΩ  
RTE230 > 22 kΩ... 95 kΩ  
TOLERANCE standard... ±10%  
POWER RATING... RT230 250 W at 25°C  
RTE230 160 W at 25°C  
VARIATION LAW standard... linear  
on request... sectorial winding  
LIMITING ELEMENT VOLTAGE... 1500 V  
DIELECTRIC STRENGTH... RT230 2000 V RMS  
RTE230 1500 V RMS  
INSULATION RESISTANCE... 10<sup>3</sup> MΩ (500 V CC)

## LOCKING DEVICE

This is supplied as an option.  
The available spindle length is according to the panel thickness.



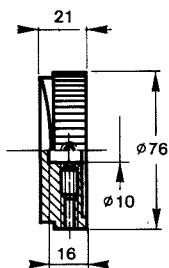
## SPINDLES

Table 1

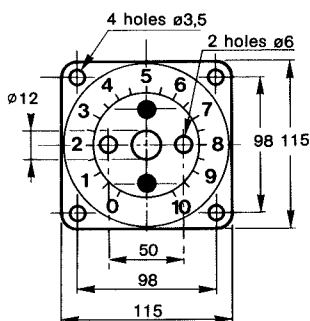
| Ø mm | Distance to mounting plate mm | Screw driver slot | Code |
|------|-------------------------------|-------------------|------|
| 10   | 50                            | without           | AS   |

For any special requirement on request : spindle flats, etc., please supply detailed drawing.

## COMMAND KNOB 60JF (option)



## DIAL: CG115 (option)



## PARTICULAR CHARACTERISTICS

Table 2

| Nominal resistance $\Omega$ | Max. service voltage V | Max. current through wiper mA |
|-----------------------------|------------------------|-------------------------------|
| 1                           | 15,2                   | 15,2                          |
| 1,5                         | 18,6                   | 12,4                          |
| 2,2                         | 22,5                   | 10,2                          |
| 3,3                         | 27,6                   | 8,36                          |
| 4,7                         | 32,9                   | 7                             |
| 6,8                         | 31,5                   | 5,82                          |
| 10                          | 48                     | 4,80                          |
| 15                          | 58,7                   | 3,92                          |
| 22                          | 71,1                   | 3,23                          |
| 33                          | 87,1                   | 2,64                          |
| 47                          | 104                    | 2,21                          |
| 68                          | 125                    | 1,84                          |
| 100                         | 152                    | 1,52                          |
| 150                         | 186                    | 1,24                          |
| 220                         | 225                    | 1,02                          |
| 330                         | 276                    | 0,836                         |
| 470                         | 329                    | 0,700                         |
| 680                         | 395                    | 0,582                         |
| 1k                          | 480                    | 0,480                         |
| 1,5k                        | 587                    | 0,392                         |
| 2,2k                        | 711                    | 0,323                         |
| 3,3k                        | 871                    | 0,264                         |
| 4,7k                        | 1040                   | 0,221                         |
| 6,8k                        | 1250                   | 0,184                         |
| 10k                         | 1500                   | 0,150                         |
| 15k                         | 1940                   | 0,13                          |
| 22k                         | 2340                   | 0,11                          |

## MARKING

- SFERNICE trademark
- series
- style
- ohmic value in  $\Omega$  or  $k\Omega$
- tolerance in %
- maximum current in A
- manufacturing date

## ORDERING PROCEDURE

|           | SERIES | STYLE | SPINDLE LOCKING DEVICE | VARIATION LAW | SPECIAL DESIGN     | WINDING  | SPINDLE (Code)                                       | OHMIC VALUE   | TOLERANCE  |
|-----------|--------|-------|------------------------|---------------|--------------------|----------|--|---------------|------------|
| Vitreous  | RT     | 230   |                        | A             |                    |          | AS   | 10 k $\Omega$ | $\pm 10\%$ |
| Lacquered | RTE    |       | Optional               |               | Method N° Optional | Optional | for special spindles, please supply detailed drawing |               |            |

## OPTIONS

|             |      |       |                            |
|-------------|------|-------|----------------------------|
| ACCESSORIES | 60JF | CG115 | XXX                        |
| MODEL       | KNOB | DIAL  | OTHER SPECIAL REQUIREMENTS |



VISHAY S.A.  
International Department  
199, Boulevard de la Madeleine  
B.P. 1159  
F 06003 NICE CEDEX 1  
Tel. : (33) 04 93 37 27 27  
Fax. : (33) 04 93 37 27 26