

## Datasheet

# Steel Zinc Plated Toggle 400daN Op. Tension

RS Stock number [726-4150](#)



### Description:

Large zinc plated steel adjustable toggle latch

Threaded hook allows for of 21 mm adjustment in assembly and for re-tensioning of gaskets after time in service

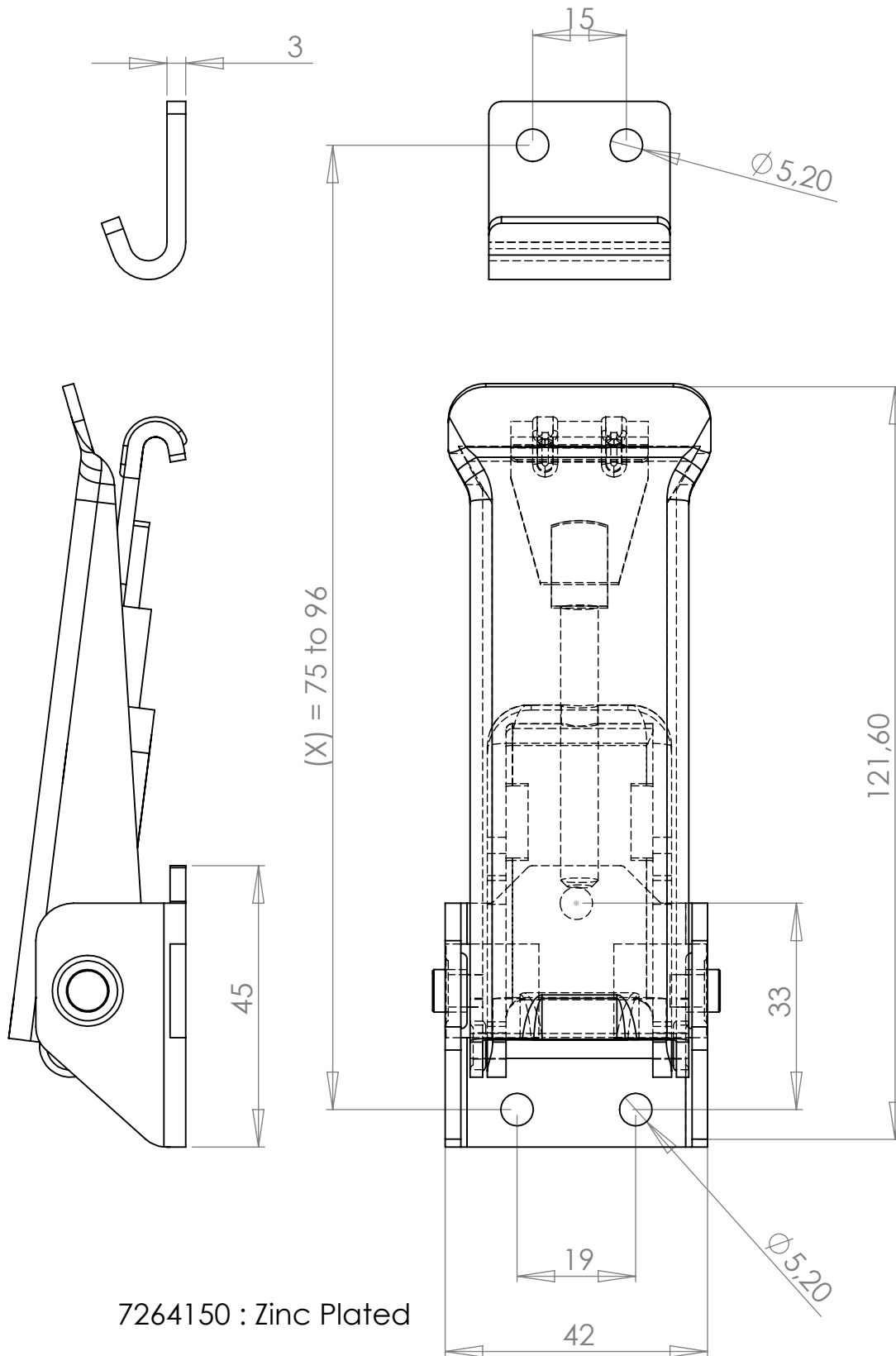
Working tension 35 daN when assembled with catch plate with dimension X between 75 and 96 mm as shown on Line Drawing

Maximum operating tension 400 daN

Maximum tension before permanent deformation 600 daN

### Features:

- Adjustable Yes
- Finish Zinc Plated
- Length 121.6mm
- Material Steel
- Operating Tension 400daN
- Width 42mm



7264150 : Zinc Plated