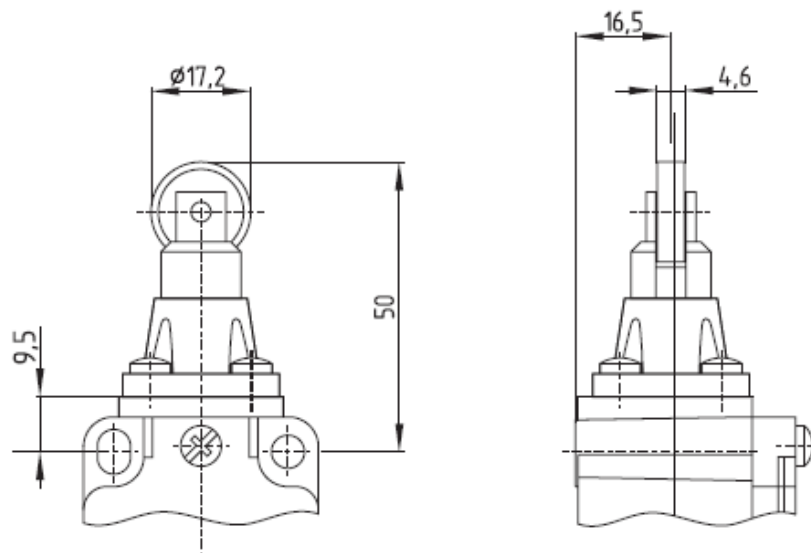


// EXPLOSION PROTECTION

Roller plunger R

Features/Options

- Ex zone 1 and 2, as well as 21 and 22
- Design according to DIN EN 50041
- Available with contact overlapping
- Wiring compartment
- Actuator heads can be repositioned in 4 x 90° steps
- Angle of offset roller lever can be adjusted in 10° steps
- Special version only for equipment category 3D, available for dust Ex zone 22
- With gold-plated contacts available on request
- Gost approval for Russia to be ordered separately
- Actuator type C to DIN EN 50 041
- Actuating speed 0.5 m/s with an actuating angle of $\alpha = 30^\circ$



Technical data

Standards

IEC/EN 60947-5-1; EN 1088;
EN 50014; EN 50018; EN 50019;

Enclosure

zinc die-cast, enamel finish

Switch insert

Ex 95

Protection class

IP 65 according to EN 60529

Contact material



silver

Switching system

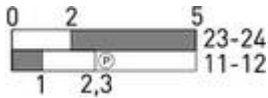
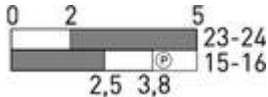
slow action, positive break NC contact \ominus

Switching elements

change-over contact with double break Zb or 2 NC contacts, galvanically separated contact bridges

Connection	M3 screw terminals
Cable section	max. 1.5 mm ² (incl. conductor ferrules)
Cable length	-
U_{imp}	4 kV
U_i	250 V
I_{the}	6 A
I_e/U_e	6 A/400 VAC; 0.25 A/230 VDC
Utilisation category	AC-15, DC-13
Max. fuse rating	6 A gL/gG D-fuse
Ambient temperature	-20 °C ... +60 °C
Mechanical life	> 1 million operations
Switching frequency	1800/h
Repeat accuracy	±0.1 mm
Contact gap	max. 2 x 3.5 mm
Ex certification	 II 2G EEx de IIC T6, II 2D IP65 T80°C
Approvals	DMT 01 ATEX E 178 

Contact variants

	Slow action
1 NC/1 NO contact	<p>EEx 335 R 1Ö/1S</p> 
1 NC/1 NO contact with overlapping	<p>EEx 335 R UE</p> 
2 NC contacts	<p>EEx 335 R 2Ö</p> 