

Please note that the data given here has been taken from the online catalog. Please refer to the user documentation for comprehensive information and data. The General Terms and Conditions of Use apply to Internet downloads.

▶ Extract from the online catalog



VARIOSUB D-SUB 15 panel mounting frame, with gender changer, version: Female/Female

The illustration shows a 9-pos. male/male contact version

Order No.	1689718
Ord designation	VS-15-A-GC-BU/BU

EAN	4017918934125
Pack	5 Pcs.
Customs tariff	85369010
Catalog page information	Page 50 (PC-2005)

▶ Technical data

Material data

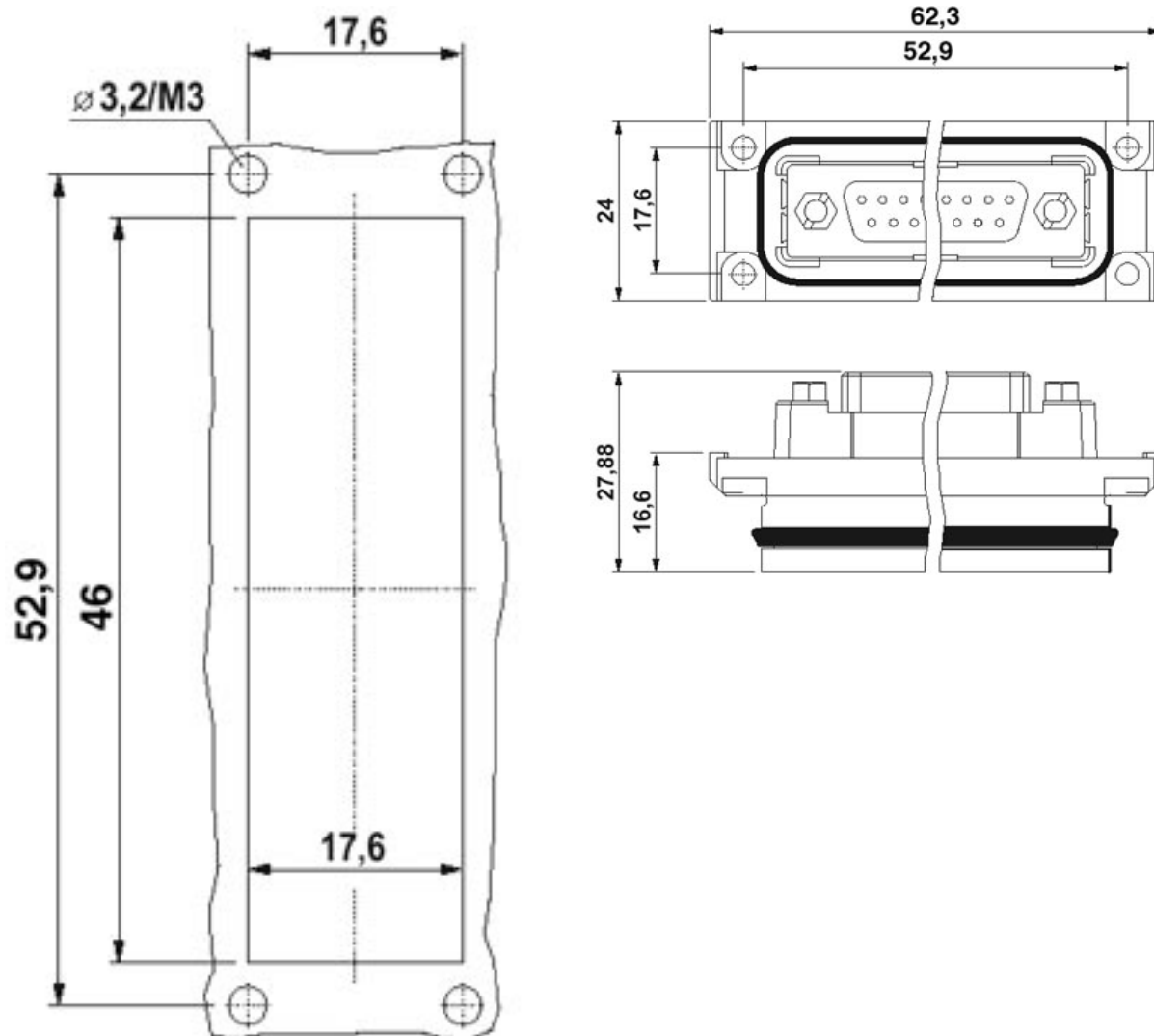
Degree of protection	IP67
Inflammability class acc. to UL 94	V0

Electrical characteristics

Ambient temperature (operation)	-20 ° C ... 80 ° C
---------------------------------	--------------------

► Drawings

Dimensioned drawing



▶ Accessories

Item	Designation	Description
General		
1887099	VS-15-SD	Protective cover, for covering the contact insert in the mounting frame or sleeve housing

► Address

Phoenix Contact GmbH & Co. KG
Flachsmarktstr. 8
32825 Blomberg
Germany
Phone +49 5235 3 00
Fax +49 5235 3 1200
<http://www.phoenixcontact.com>

Phoenix Contact
Technical modifications reserved;