

Euromas Polymas

Enclosure with a moulded-on Pg 11



PK 101-111
Order no.: 38101100

* = Available on request.

Characteristics

Colour of enclosure group
silver-grey

Protection class
IP 65

Enclosure Material
PA 6-GB 30, seal made of CR; for details see Technical Information

Scope of delivery

Lid and base, lid screws made of V2A, 1 moulded-on cable gland, Pg 11 including clamping cage, pressure screw and continuous sealing ring

Note

G = Model with crystal clear lid.

Important!

To compensate for pressure when temperatures change and cause moisture in the enclosure, we recommend that you use a pressure compensation element.

» Additional information

Technical documentation / Downloads

Technical drawings

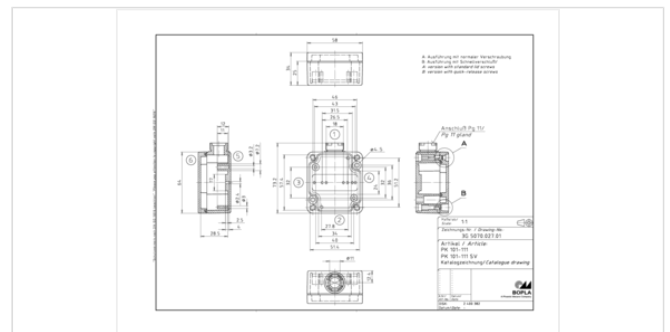
3D product data in STEP format: 38101100 PK-101-111.stp (1.0 MB)
Product drawing in PDF format: 38101100 PK-101-111.pdf (50.8 KB)
Product drawing in DXF format: 38101100 PK-101-111.dxf (652.4 KB)
Drawing for mechanical processing: 38101100 PK-101-111-G.dxf (647.4 KB)

Milling contours are shown here as a DXF file. (Sub D, USB, HDMI, cable glands, ...)

Dimensions

Dimensions
58 x 64 x 34 mm

Product drawing



Product information

Euromas Polymas GB.pdf (306.5 KB)