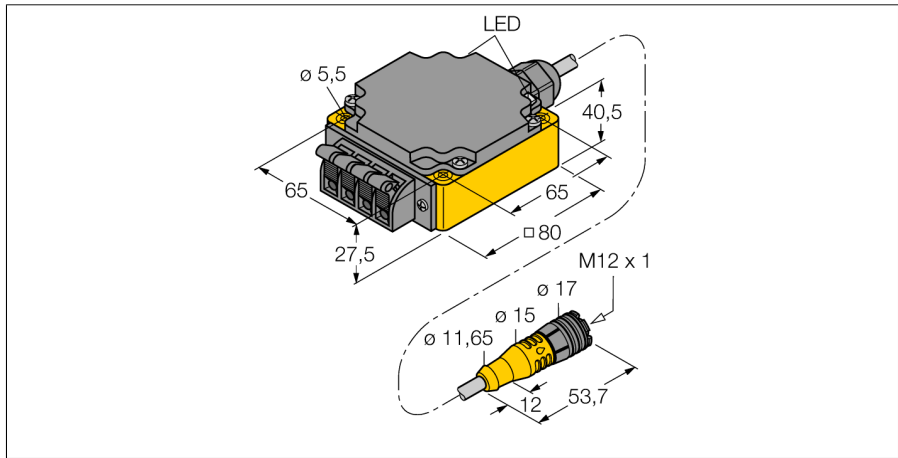
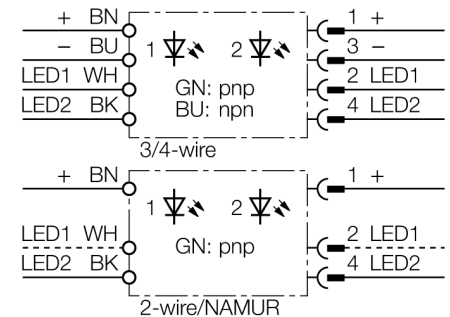


**Test box for sensors
TB3-CP80**



- Universal test device for different sensor types.
- 2-wire DC sensors
- 3-wire and 4-wire DC sensors (npn/pnp)
- NAMUR sensors according to DIN EN 60947-5-6
- Function test without dismantling the sensor
- User-friendly operator and display elements
- Powered via 2 batteries, type E-Block 9 V

Wiring diagram



General description

The sensor test box TB3-CP80 is designed to test the functionality of inductive, magnetic field, capacitive and photoelectric sensors directly on-site or in the workshop.

LEDs indicate the switching status of the test box. Clearly visible and highly illuminated display of switching status. In addition, the test box indicates the switching status with an acoustic signal (if connected to pin 4).

The following sensor types can be connected via push button type terminals or via M12 connectors:

- 2-wire DC sensors
 - 3/4-wire DC sensors (npn/pnp)
 - NAMUR sensors according to EN 60947-5-6
- All sensors can be switch to PLUS (green LED) or MINUS (blue LED) .

Type code	TB3-CP80
Ident no.	6967112
Operating voltage	18VDC Operation via 2 E-Block 9V batteries
Warning	NAMUR sensors may not be operated in the explosion hazardous area in conjunction with the sensor test box. An operating and function test is permitted in the safe area. The approval according to EN60079-0 and -11 does not expire after interconnection with the test device.
Dimensions	80 x 80 x 40.5 mm
Connection	Cage clamp terminals, cable with quick-connect coupling
Switching state	LED green / blue