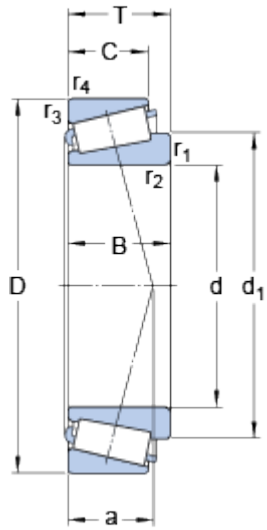


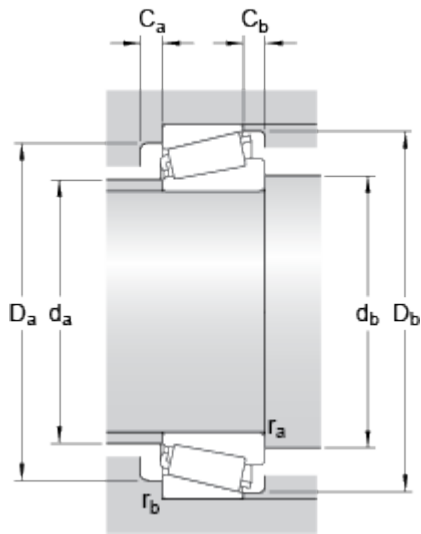
# 30305 J2

## Dimensions



d		25	mm
D		62	mm
T		18.25	mm
d <sub>1</sub>	≈	41.5	mm
B		17	mm
C		15	mm
r <sub>1,2</sub>	min.	1.5	mm
r <sub>3,4</sub>	min.	1.5	mm
a		12.779	mm

## Abutment dimensions



d <sub>a</sub>	max.	34	mm
d <sub>b</sub>	min.	32	mm
D <sub>a</sub>	min.	54	mm
D <sub>a</sub>	max.	55	mm
D <sub>b</sub>	min.	57	mm
C <sub>a</sub>	min.	2	mm
C <sub>b</sub>	min.	3	mm
r <sub>a</sub>	max.	1.5	mm
r <sub>b</sub>	max.	1.5	mm

## Calculation data

Basic dynamic load rating	C	44.6	kN
Basic static load rating	C <sub>0</sub>	43	kN
Fatigue load limit	P <sub>u</sub>	4.8	kN
Reference speed		9000	r/min
Limiting speed		12000	r/min
Calculation factor	e	0.3	
Calculation factor	Y	2	

Calculation factor

$Y_0$

1.1

**Mass**

---

Mass bearing

0.258

kg