



Main

| | |
|---------------------------|---------------------------------------|
| Range of product | Modicon Quantum automation platform |
| Product or component type | Low voltage dc discrete input modules |
| Discrete input number | 32 |

Complementary

| | |
|---------------------------------|--|
| Group of channels | 4 |
| Logic input | Positive (sink) |
| Discrete input voltage | 24 V DC |
| Input voltage limits | 19.2...30 V |
| Voltage state 1 guaranteed | 15...30 V DC |
| Voltage state 0 guaranteed | -3...5 V DC |
| Current state 1 guaranteed | ≥ 2 mA at $U_s = 5.5$ V and $U_{in} = 0$ V |
| Current state 0 guaranteed | ≤ 0.5 mA |
| Addressing requirement | 2 input words |
| Input impedance | 2500 Ohm |
| Leakage current | 200 mA at $U_s = 5.5$ V and $U_{in} = 4$ V |
| Absolute maximum input | 56 V during 1.3 ms decaying pulse 30 V continuous |
| Response time | ≤ 1 ms from state 1 to state 0 ≤ 1 ms from state 0 to state 1 |
| Protection type | Input protection by resistor limited |
| Power dissipation | 1.7 W + (0.36 x number of points on) |
| Isolation between group and bus | 1780 Vrms for 1 minute |
| Isolation between group | 500 Vrms for 1 minute |
| Local signalling | 32 LEDs green input status 1 LED red external fault detected (F) 1 LED green bus communication is present (Active) |
| Marking | CE |
| Bus current requirement | 330 mA |
| Module format | Standard |
| Product weight | 0.3 kg |

The information provided in this documentation contains general descriptions and/or technical characteristics of the performance of the products contained herein. This documentation is not intended as a substitute for and is not to be used for determining suitability or reliability of these products for specific user applications. It is the duty of any such user or integrator to perform the appropriate and complete risk analysis, evaluation and testing of the products with respect to the relevant specific application or use thereof. Neither Schneider Electric Industries SAS nor any of its affiliates or subsidiaries shall be responsible or liable for misuse of the information contained herein.

Environment

| | |
|---------------------------------------|---|
| Protective treatment | Conformal coating Humiseal 1A33 |
| Standards | CSA C22.2 No 142 UL 508 |
| Product certifications | ABS BV C-Tick DNV GOST RINA RMRS |
| Resistance to electrostatic discharge | 8 kV on air conforming to IEC 801-2 4 kV contact conforming to IEC 801-2 |
| Resistance to electromagnetic fields | 10 V/m 80...2000 MHz conforming to IEC 801-3 |
| Ambient air temperature for operation | 0...60 °C |
| Ambient air temperature for storage | -40...85 °C |
| Relative humidity | 95 % without condensation |
| Operating altitude | <= 5000 m |

Offer Sustainability

| | |
|----------------------------------|---|
| Sustainable offer status | Green Premium product |
| RoHS (date code: YYWW) | Compliant - since 0848 - Schneider Electric declaration of conformity |
| REACH | Reference not containing SVHC above the threshold |
| Product environmental profile | Available Download Product Environmental |
| Product end of life instructions | Need no specific recycling operations |

Racks for Modules Mounting

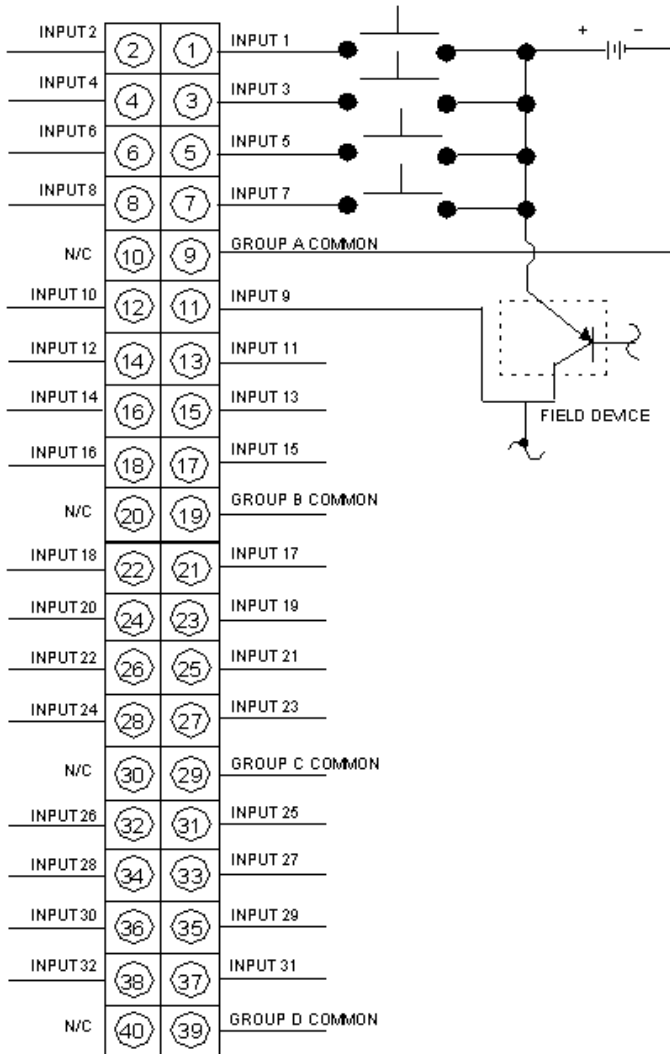
Dimensions of Modules and Racks



- (1) 2 slots
- (2) 3 slots
- (3) 4 slots
- (4) 6 slots
- (5) 10 slots
- (6) 16 slots

24 Vdc Discrete Input Sink Module

Wiring Diagram



N/C Not Connected