

# LED Directional

Dimmable GU10 6 Watt



## Product information

This product range enables substantial energy savings and is a direct replacement for 50W halogen in an IEC Standard dimension, consuming only 6W of power as well as providing high quality dimming performance.

## Features

- IEC-size
- Dimming (20-100%)
- Available in 2700K, 3000K and 4000K
- Lumen output of 320-340-360lm
- 25 degree and 35 degree beam angles
- Long life for reduced maintenance costs
- IR/UV-radiation free, Mercury free, Low heat emission

## Application areas

LED GU10 dimmable lamps offer significant energy savings versus traditional lamps. Coupled with long life, they are superb replacements where standard incandescent or halogen lamps are in use such as: accent, display and general lighting applications in a commercial, industrial or residential environments.

## Standards

- IEC60357: Tungsten halogen lamps (non-vehicle) – Performance specifications.
- IEC62560: Self-ballasted LED lamp for general lighting services voltage 50~250V-safety specification.
- IEC62471: Photobiological safety of lamps and lamp systems.

- EN55015: Limits and methods of measurement of radio disturbance characteristics of electrical lighting and similar equipment.
- EN61547: Equipment for general lighting purposed EMC immunity requirements.
- EN61000-3-2: Limits for harmonic current emissions.
- EN61000-3-3: Limitation of voltage fluctuations and flicker in low voltage supply systems for equipment with rated current  $\leq 16A$ .



## 6W GU10 LED lamps have the following common features

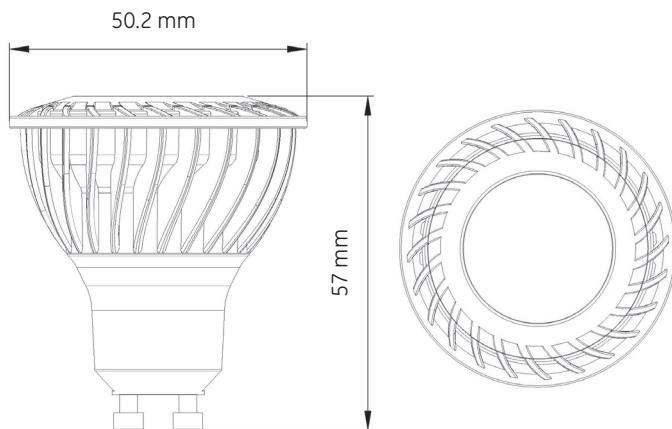
- 220-240V with power factor of 0.7
- Complete range with CRI >80 and 5-step MacAdam colour consistency
- Efficiency up to 60lm/W
- Input current: 40mA
- Operating temperature: -20°C to +40°C

## Specification summary

Wattage (W)	Base	Product Description	Candela (cd)	Lumen (lm)	Beam Angle	CCT (K)	Life hours L70/B10	Life hours B50	Efficiency (lm/W)	Power factor	CRI	Minimum Switch Cycles	Pack Qty	Product Code	Place of manufacturing
6	GU10	LED6D/GU10/827/220-240V/FL	1250	320	25	2700	25,000	45,000	53	0.7	80	25,000	1/10	98720	MIH*
6	GU10	LED6D/GU10/827/220-240V/WFL	700	320	35	2700	25,000	45,000	53	0.7	80	25,000	1/10	98721	MIH*
6	GU10	LED6D/GU10/830/220-240V/FL	1280	340	25	3000	25,000	45,000	57	0.7	80	25,000	1/10	98722	MIH*
6	GU10	LED6D/GU10/830/220-240V/WFL	720	340	35	3000	25,000	45,000	57	0.7	80	25,000	1/10	98723	MIH*
6	GU10	LED6D/GU10/840/220-240V/FL	1400	360	25	4000	25,000	45,000	60	0.7	80	25,000	1/10	98724	MIH*
6	GU10	LED6D/GU10/840/220-240V/WFL	780	360	35	4000	25,000	45,000	60	0.7	80	25,000	1/10	98725	MIH*

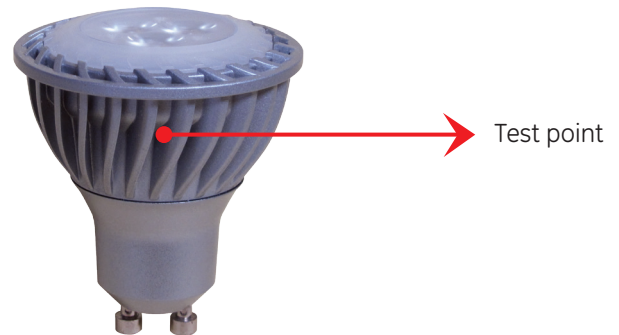
\*MIH = Made in Hungary

## Dimensions



## Maximum $T_{hs}$ recommended

GU10 6W Dimmable (IEC-size) 88°C



## Lumen maintenance at rated life

>70% lumen maintenance by 90% of lamps at 25,000 hours

## Operation and maintenance

- Not for use in totally enclosed fixtures.
- Suitable for voltage fluctuations of +/- 10%
- Switch off mains supply before installing/removing lamp.
- LED GU10 lamps are dimmable on most common leading edge dimmers, please contact local Sales agent for compatibility.
- Safe to use on Photo- & Timer-circuits, please contact local Sales agent for compatibility
- Ambient temperature range -20° C to 40°C