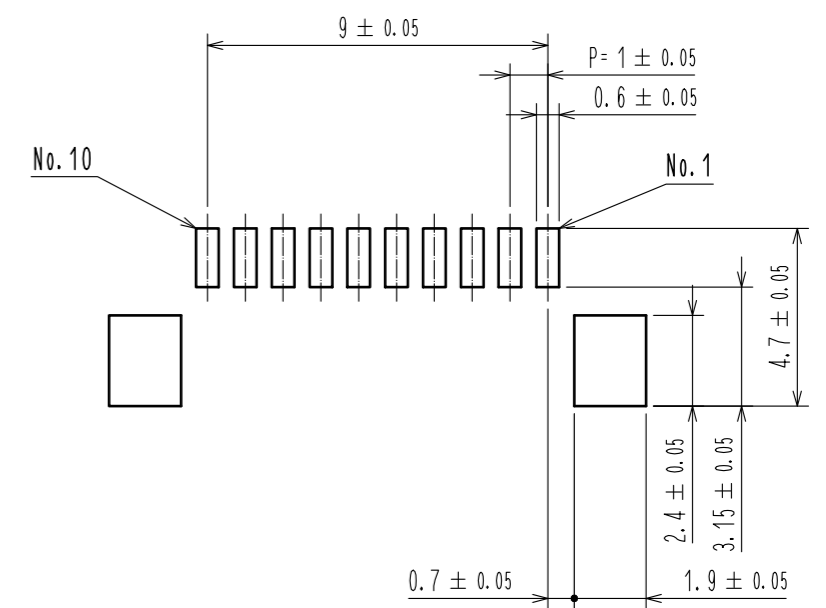
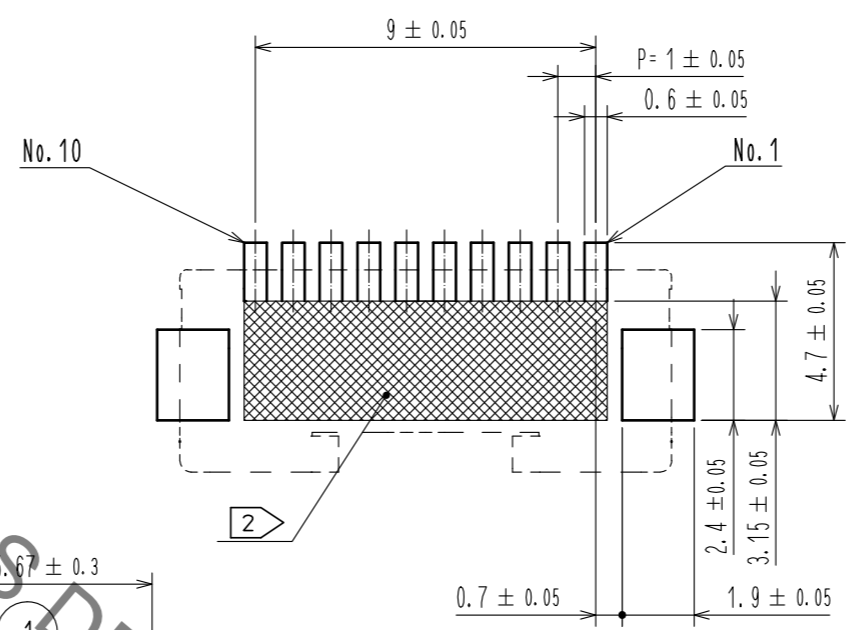
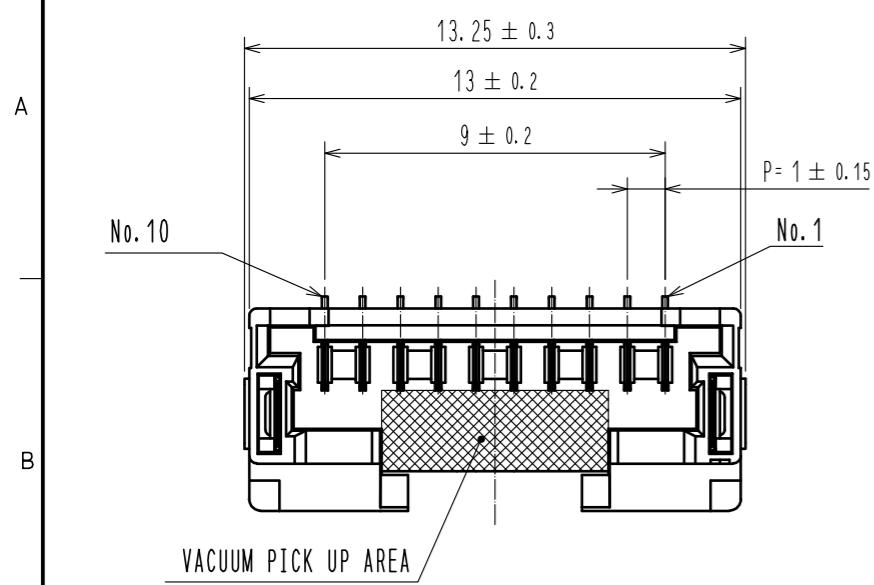


Aug.1.2019 Copyright 2019 HIROSE ELECTRIC CO., LTD. All Rights Reserved.  
In case of consideration for using Automotive equipment / device which demand high reliability, kindly contact our sales window correspondents.

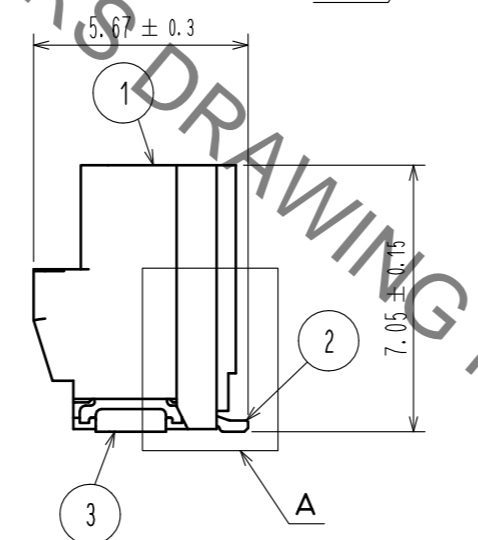
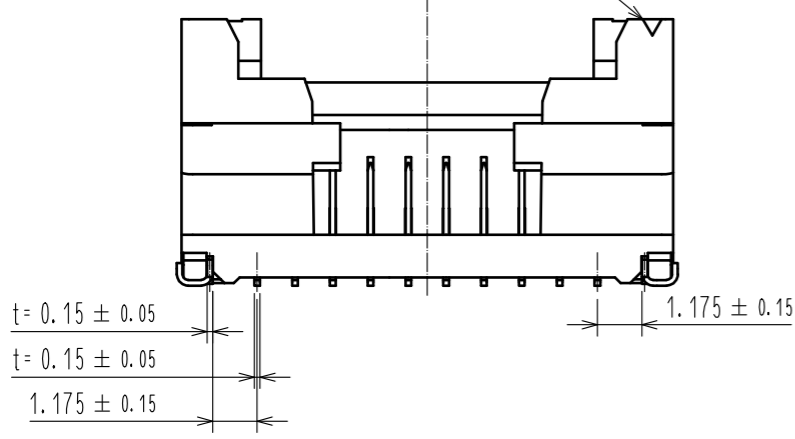
RECOMMENDED PCB LAYOUT  
(MOUNTING SURFACE SIDE) (FREE)

RECOMMENDED METAL MASK (FREE)

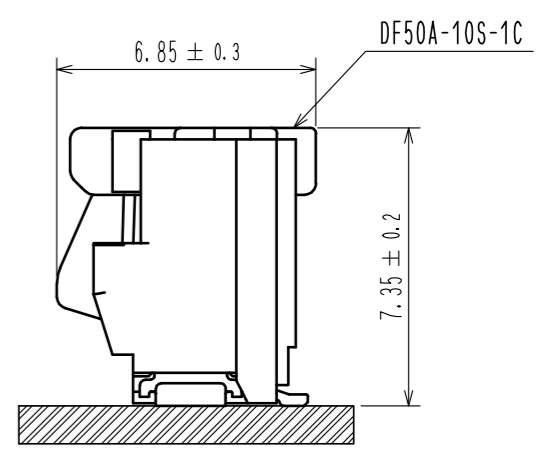
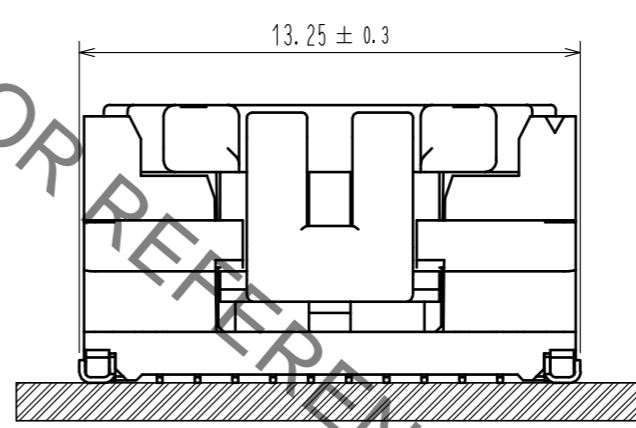
THICKNESS : 0.1mm  
OPEN AREA RATIO:100%



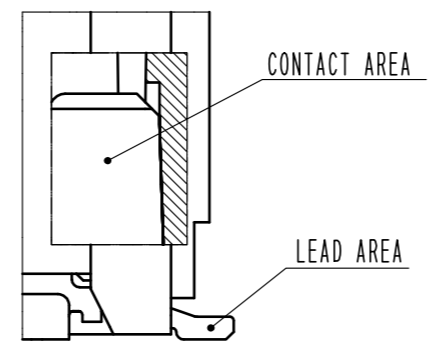
POLARIZATION MARK



MATING FIGURE (5:1)



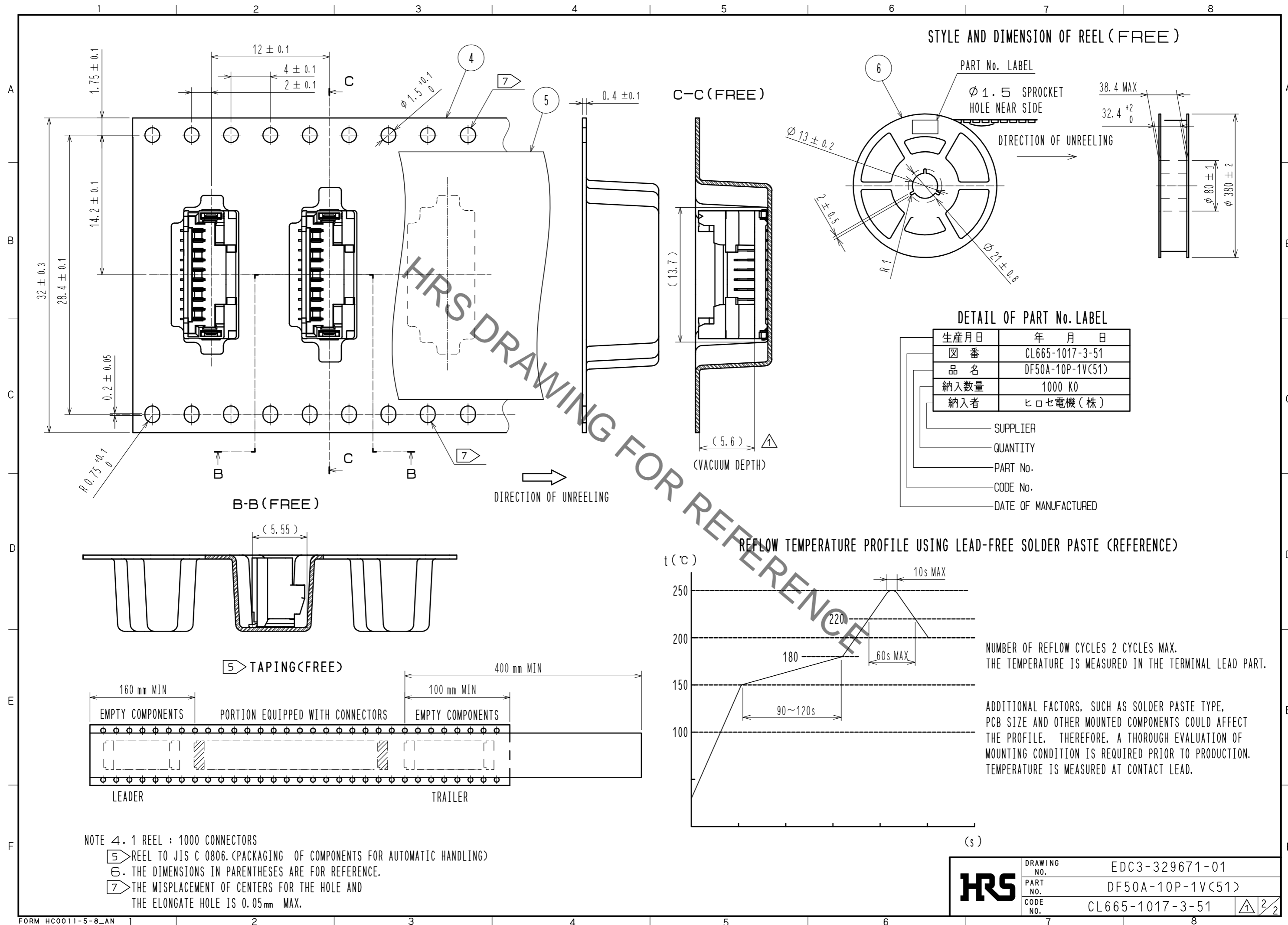
A (10:1)



- NOTES 1. LEAD CO-PLANARITY SHALL BE 0.1mm MAX  
2. Hatched area indicated must be free of conductive traces or the conductive traces must be covered by resist film.  
3. PLEASE CONSULT HIROSE WHEN THE PRODUCT IS MONUTED TO FPC.

3	PHOSPHOR BRONZE	CONTACT AREA : Sn PLATING 1μm MIN UNDER PLATING : Cu PLATING 0.3μm MIN	6	PS	REEL . BLACK
2	BRASS	CONTACT AREA : Au PLATING 0.05μm MIN LEAD AREA : Au PLATING 0.05μm MIN UNDER PLATING : Ni PLATING 1μm MIN	5	POLYESTER	CLEAR
1	LCP	BLACK . UL94V-0	4	PS	CLEAR
NO.	MATERIAL	FINISH . REMARKS	NO.	MATERIAL	FINISH . REMARKS
UNITS mm		SCALE 5 : 1	COUNT 1	DESCRIPTION OF REVISIONS DIS-H-00005113	
DESIGNED HK. HAYASHI		CHECKED SZ. ONO		DATE 20190729	
APPROVED : KI. AKIYAMA 20110318		DRAWING NO. EDC3-329671-01			
CHECED : OM. MIYAMOTO 20110318		PART NO. DF50A-10P-1V(51)			
DESIGNED : TT. OHSAKO 20110318		CODE NO. CL665-1017-3-51			
DRAWN : TT. OHSAKO 20110318					

Aug.1.2019 Copyright 2019 HIROSE ELECTRIC CO., LTD. All Rights Reserved.  
In case of consideration for using Automotive equipment / device which demand high reliability, kindly contact our sales window correspondents.



<b>HRS</b>	DRAWING NO.	EDC3-329671-01
	PART NO.	DF50A-10P-1V(51)
	CODE NO.	CL665-1017-3-51
		△ 2/2