



GE  
Lighting



## Biax™ D 2-pin, Internal Starter

F10DBX/T3/835/2P

# 78213

---

### Product information

Biax™ D & D/E LongLast™ lamps are available in 10, 13, 18 and 26 watt ratings, 10 and 13W in T3 tube size, 18 and 26W in T4 tube size and ranging from 101mm to 174mm in length. Five colours are available in two-pin and four-pin caps. A high colour rendering index (CRI) of 82 gives rich, vibrant colour.

The lamps are available in warm and cool colour temperatures suitable for a wide variety of environments.

---



## Product data

Cap/Base	G24d-1
Bulb Shape	Quad plug-in
Bulb maximum overall diameter [mm]	34.4
Maximum Overall Length [mm]	108
Net weight per piece [g]	32
Gross weight per piece [g]	82
Operating position	U - Universal
Mercury Content [mg]	3
UV radiance	exempt
Brand	General Electric (GE)
Energy efficiency class (EEC)	B

## Performance data

Colour Code	835
Colour Rendering Index (CRI) [Ra]	82
Nominal correlated colour temperature (CCT) [K]	3500
Nominal lumens [lm]	600
Rated Life [h]	12000
Nominal power [W]	10
Weighted energy consumption [kWh/1000h]	12.7
Nominal lamp voltage [V]	64

## Electrical data

Operating Temperature (MIN) [°C]	-15
Starting ambient temperature range	-15
Dimming Capability	No

### Logistic data

DUN Code	10043168782132
EAN Code	0043168128759
Pack Quantity	10
Inner pack type	BOX
Outer pack type	OUTER BOX
Layer quantity	600 EUR, 750 UK
Layer quantity EUR	600
Layer quantity UK	750
Pallet quantity EUR (PC)	4800
Pallet quantity UK (PC)	6000
Outer case size	192 x 82 x 130 (mm)
Product status	Available

### Application areas

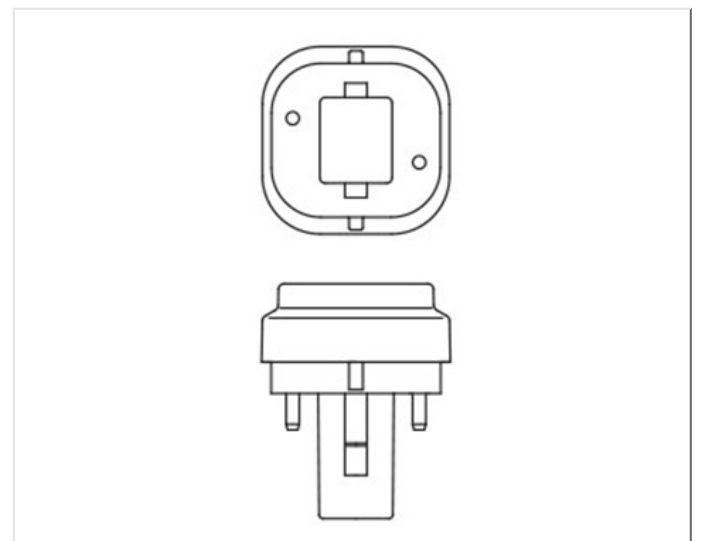
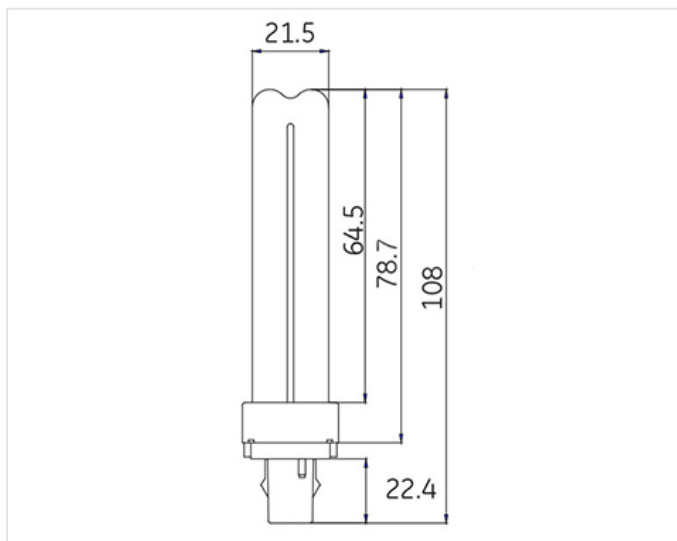


Office

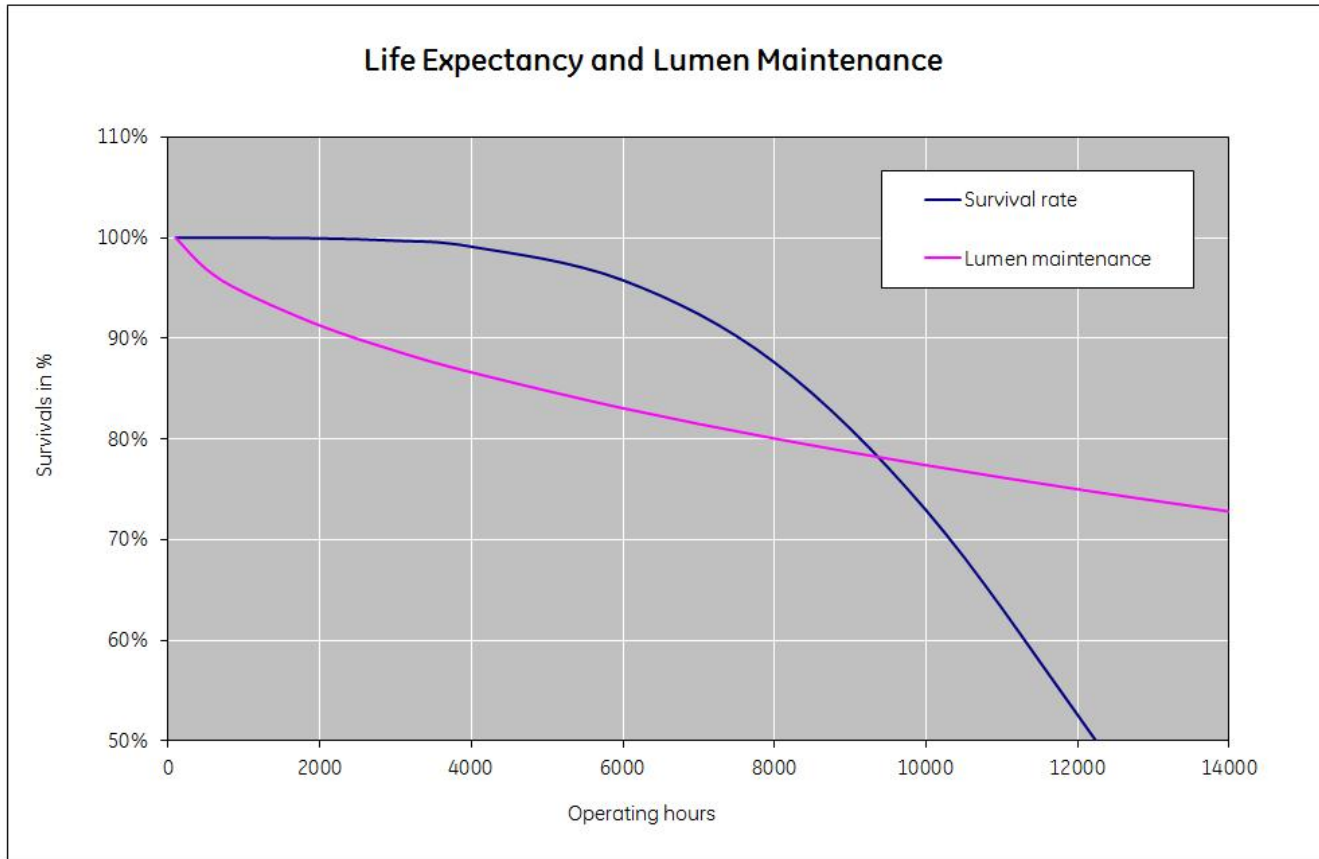


Industrial

### Technical drawing



## Survival Data



## Downloads & Links

[Go to the catalog site \(HTTP\)](#)

[CFL Non-Integrated Spectrum Catalogue \(PDF\)](#)

[LongLast™ Biax™ D and D/E Data sheet \(PDF\)](#)

[Lighting design tools & calculators \(HTTP\)](#)

[Disposing and Cleaning of CFL Lamps \(HTTP\)](#)