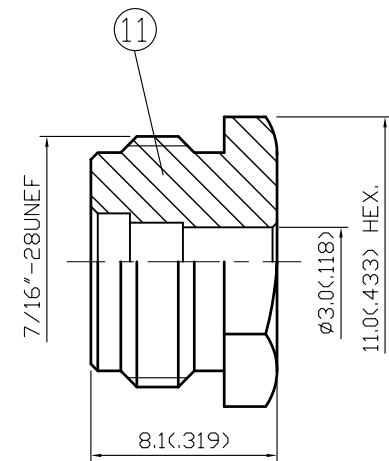
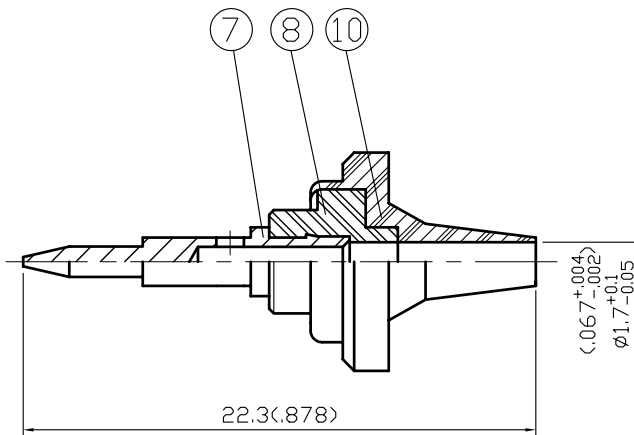
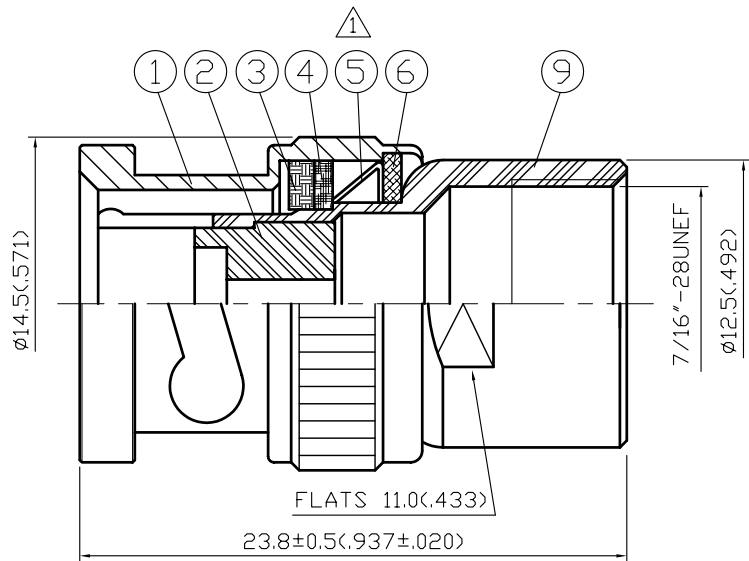
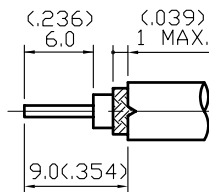


NO	DESCRIPTION	DATE
⚠	REDUCE SPRING WASHER FROM 2 PCS TO 1 PC	06.06.97
📄	BACKGROUND FORMAT UPDATED	03.03.04



NOTES: UNLESS OTHERWISE SPECIFIED

- BODIES: BRASS PER JIS-C3604
- CENTER CONTACT: BRASS PER JIS-C3604
- INSULATION: TEFLON PER ASTM D1457 AND ASTM D1710
- PART TO BE CLEAN AND FREE OF BURRS



STRIPPING DIMENSION

NO	DESCRIPTION	MATERIAL	Q'TY	FINISH
11	NUT	BRASS	1	SILVER 70 MIN
10	BRAID CLAMP	BRASS	1	SILVER 70 μ" MIN.
9	BODY	BRASS	1	SILVER 70 μ" MIN.
8	INSULATION	TEFLON	1	NONE
7	CENTER CONTACT	BRASS	1	SILVER 70 μ" MIN.
6	WASHER	BRASS	1	SILVER 70 μ" MIN.
5	SPRING WASHER	SK-5	1	NICKEL 100 μ" MIN.
4	WASHER	BRASS	1	NICKEL 100 μ" MIN.
3	GASKET	SILICONE	1	RED
2	INSULATION	TEFLON	1	NONE
1	SHELL	BRASS	1	SILVER 70 μ" MIN.



製圖	DRAWN	TOLERANCE		品名		DATE	版次	REV.
			.X	±0.2	13-19 179U (75Ω)			
檢圖	CHECK	.XX	±0.1	單位	UNIT	DWG.NO.	13-0366	
	ica	.XXX	±0.05		mm(in)			
認定	APPROV		ANGLE ±5°	比例	SCALE			
					4:1			