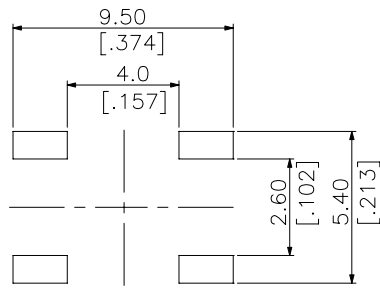
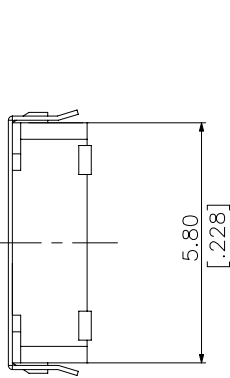
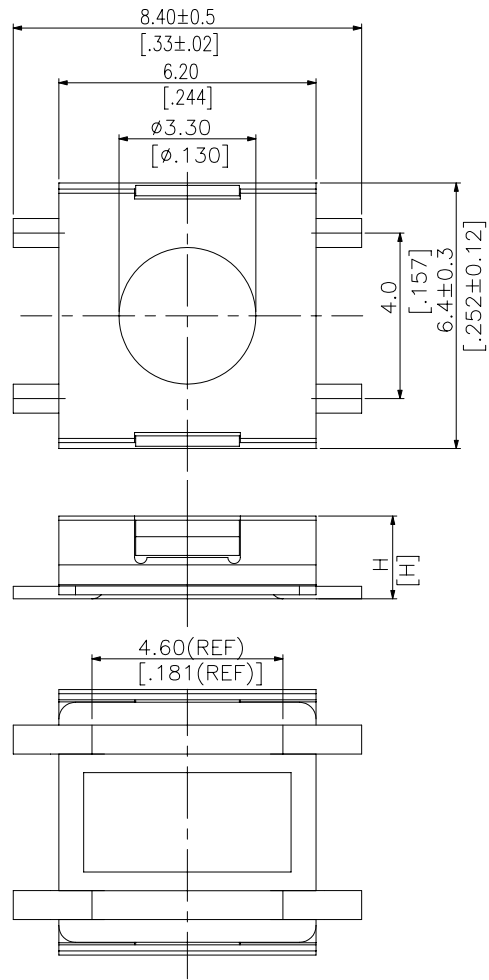


# DTS(G)L-6, DTS(G)F-6 SERIES

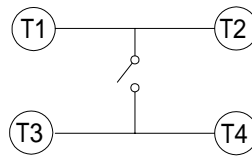


## DIMENSIONS

### DTSF-6



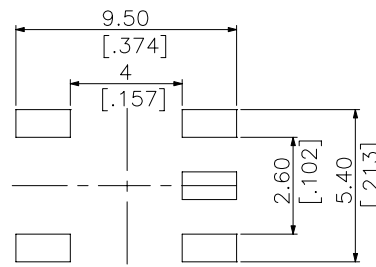
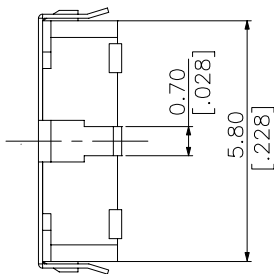
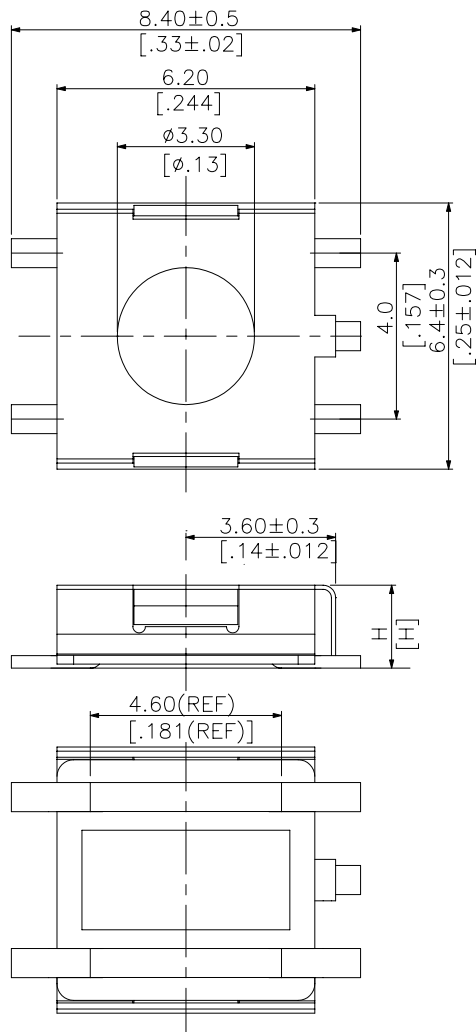
P.C.B. LAYOUT



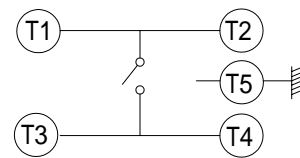
CIRCUIT DIAGRAM

DTSF-62	3.1 ( .122 )
DTSF-61	2.5 ( .098 )
DTSF-60	2.0 ( .079 )
PART NO.	H

### DTSGF-6



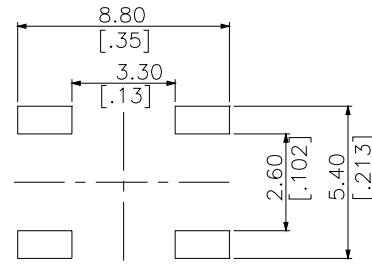
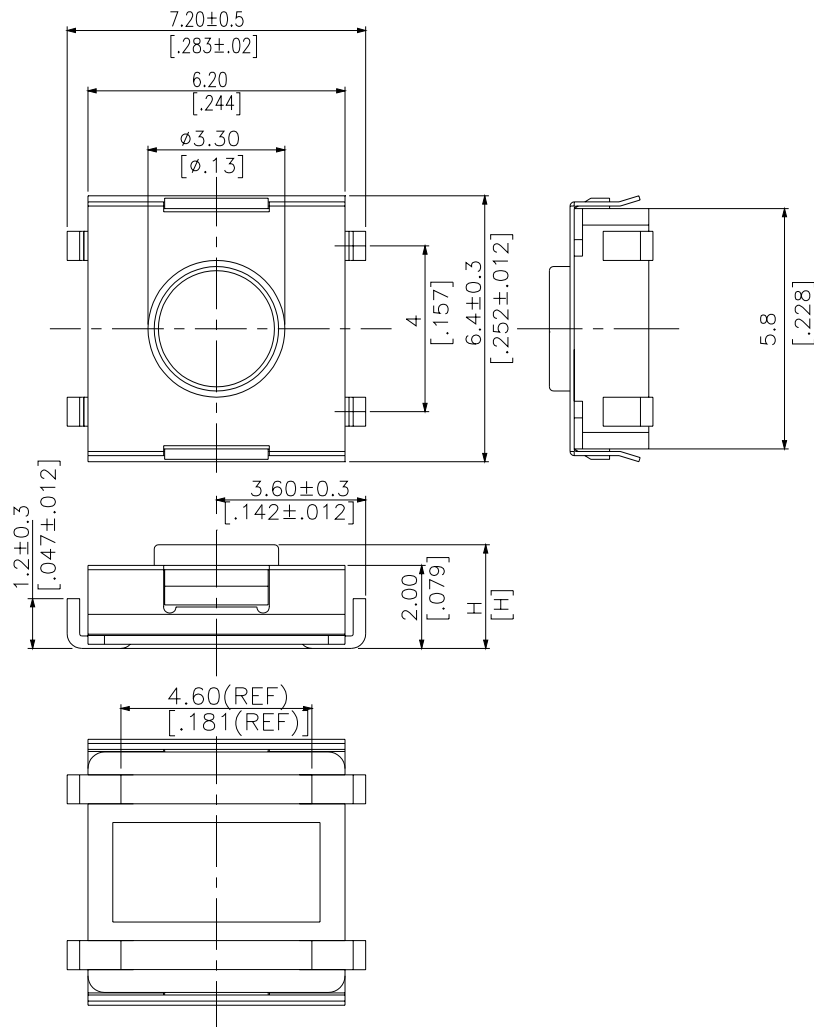
P.C.B. LAYOUT



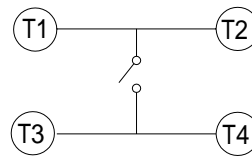
CIRCUIT DIAGRAM

DTSGF-62	3.1 ( .122 )
DTSGF-61	2.5 ( .098 )
DTSGF-60	2.0 ( .079 )
PART NO.	H

**DTSL-6**



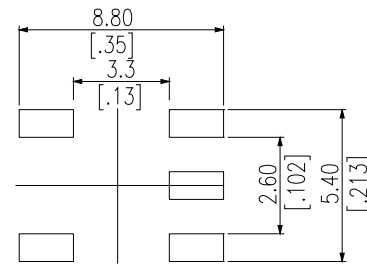
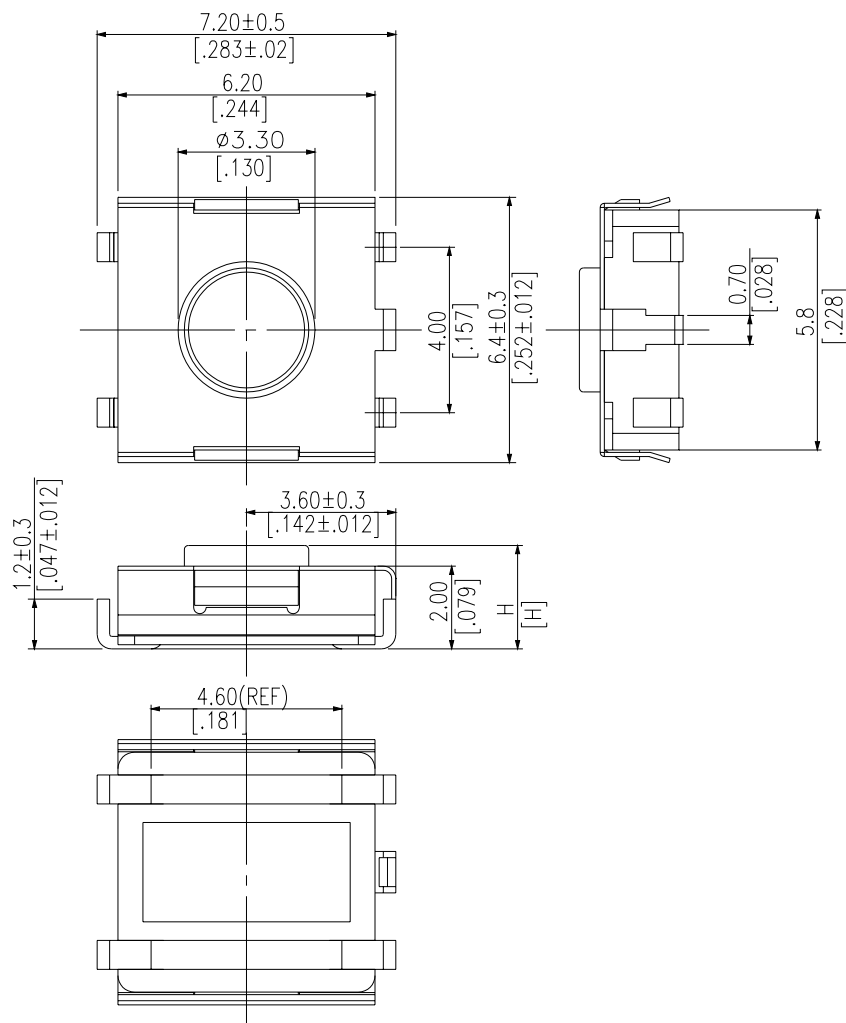
*P.C.B. LAYOUT*



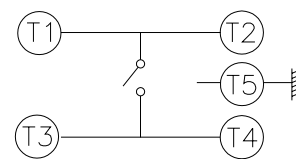
*CIRCUIT DIAGRAM*

DTSL-62	3.1 (.122)
DTSL-61	2.5 (.098)
DTSL-60	2.0 (.079)
PART NO.	H

**DTSG-6**



*P.C.B. LAYOUT*



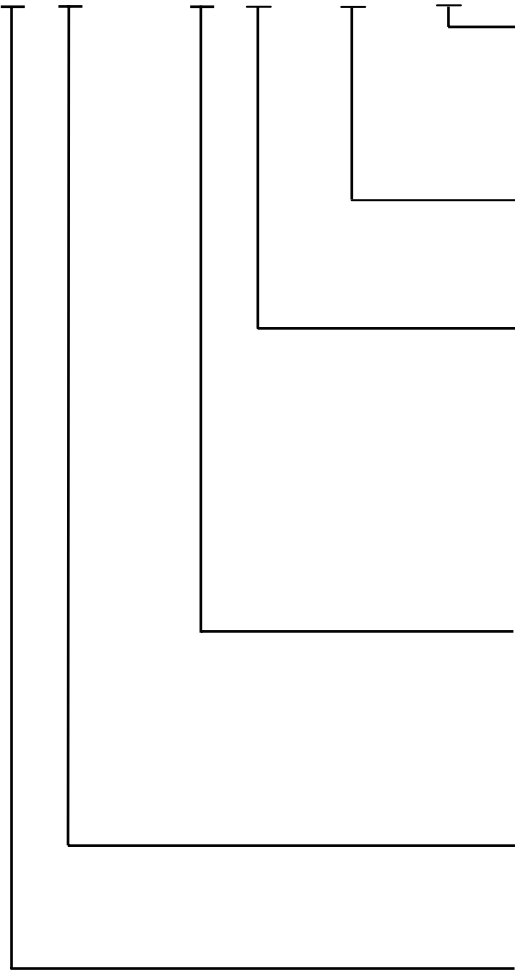
*CIRCUIT DIAGRAM*

DTSG-62	3.1 (.122)
DTSG-61	2.5 (.098)
DTSG-60	2.0 (.079)
PART NO.	H

## HOW TO ORDER

DTS

- 6



**Package Style:**  
**B = Tube**  
**T/R = Tape & Reel**

**Soldering:**  
**V = Lead Free Solderable**

**Color of Stem for Operation Force:**  
**K = Black, 100gf**  
**N = Brown, 160gf, 180gf**  
**R = Red, 260gf**  
**S = White, 320gf**  
**Y = Yellow, 520gf**  
**\*N = Brown, 200g [TACT 3.1 ONLY]**

**Height:**  
**0 = 2.0mm**  
**1 = 2.5mm**  
**2 = 3.1mm (200gf only)**

**L = With L S.M.T Terminal**  
**F = With F S.M.T Terminal**

**Product Series:**  
**G = With Ground Terminal**  
**= Without Ground Terminal**

## SPECIFICATION

### MECHANICAL

Operation Force: 100±50gf Black(K)  
 160±50gf Brown(N)  
 260±50gf Red(R)  
 320±80gf White(S)  
 520±130gf Yellow(Y)

Stroke: 0.25+0.2/-0.1mm

Operation Temperature: -25 to +70

Storage Temperature: -30 to +80

### ELECTRICAL

Electrical Life: 100,000 cycles for 320gf,520gf  
 100,000 cycles for 260gf  
 200,000 cycles for 100gf,160gf,180gf

Rating : 50 mA , 12 VDC

Contact Resistance : 100mΩ max

Insulation Resistance : 100MΩ min , at 500 VDC

Dielectric Strength : 250 VAC / 1minute

Contact Arrangement : 1 pole 1 throw

## MATERIALS

**COVER:** Stainless steel ( DTSL.F-6 )

Nickel Silver ( DTSG.L.F-6 )

**BASE:** UL 94V-0 Nylon High-temp thermoplastic

Color: Black

**CONTACT DISC:** phosphor bronze with silver cladding

**TERMINAL:** Brass with silver plated

**STEM :** UL94V-0 Nylon High-temp Thermoplastic

Color : Black(100gf) , Brown(160gf) , Red(260gf) ,  
 White(320gf) , Yellow(520gf)

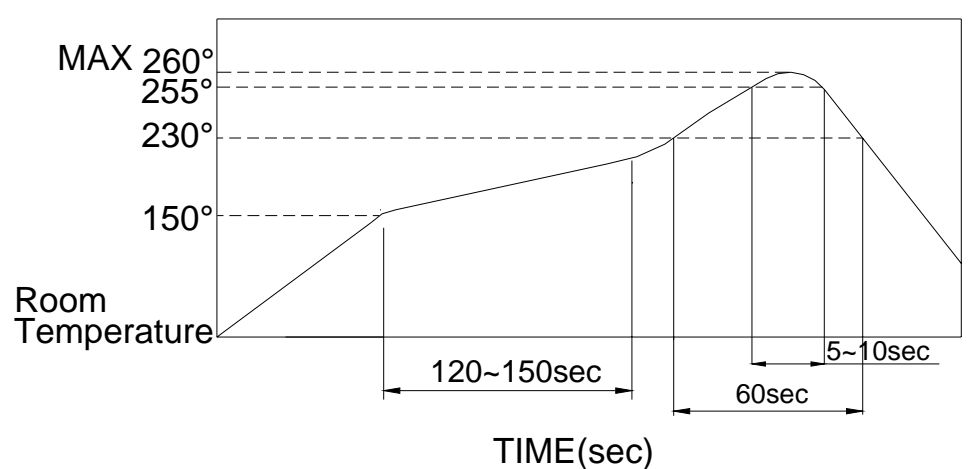
Silicon Rubber Color : Brown (200gf)

## LEAD-FREE SOLDERING CONDITIONS

**HAND SOLDERING :** Use a soldering iron of 30 watts, controlled at 350 approximately max 5 seconds while applying solder.

**REFLOW SOLDERING :** When applying reflow Soldering , the peak temperature or the reflow oven should be set to 260 max. Condition for soldering.  
 ( Reflow & Non-washable type )

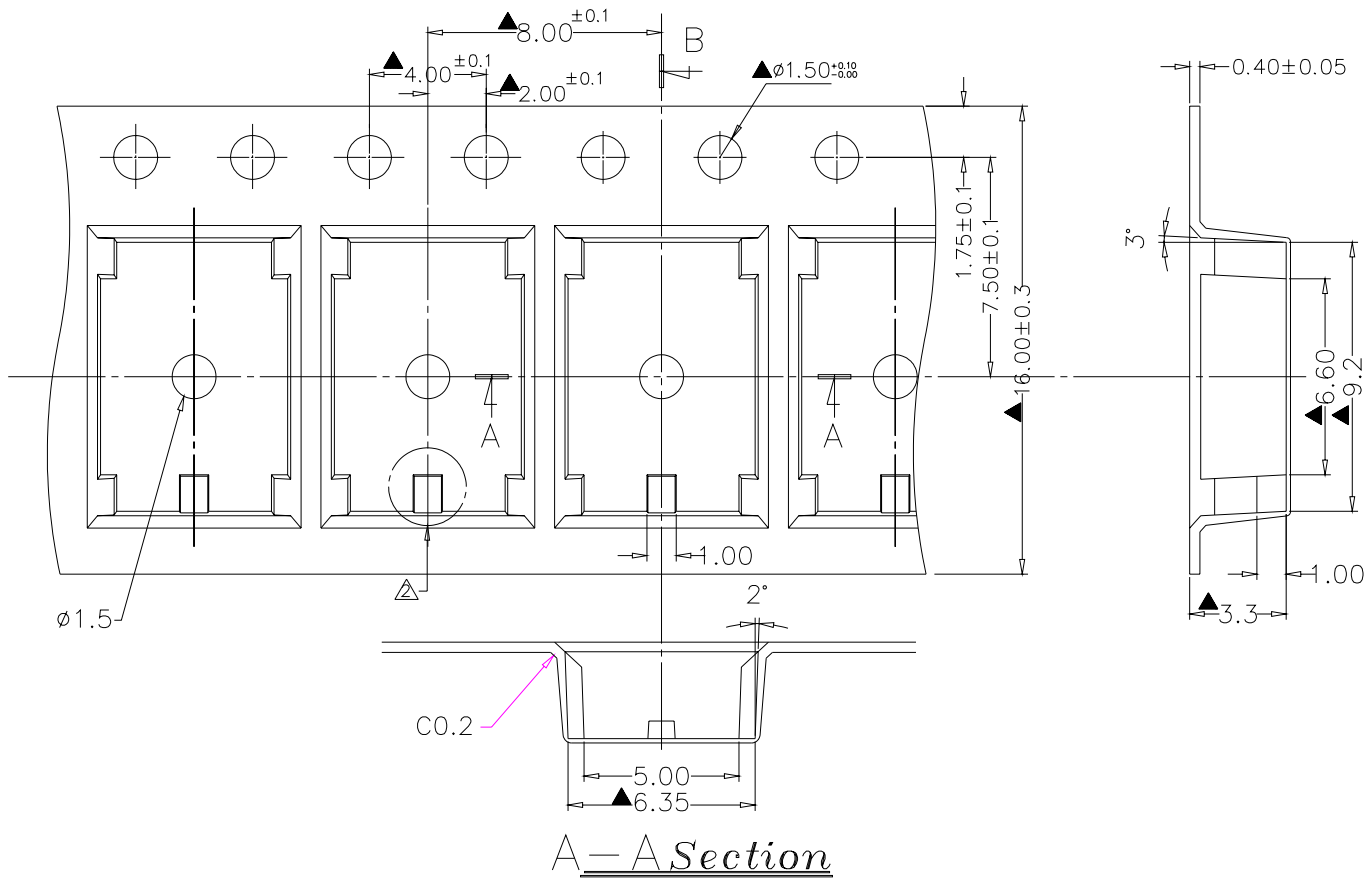
Temperature Profile :



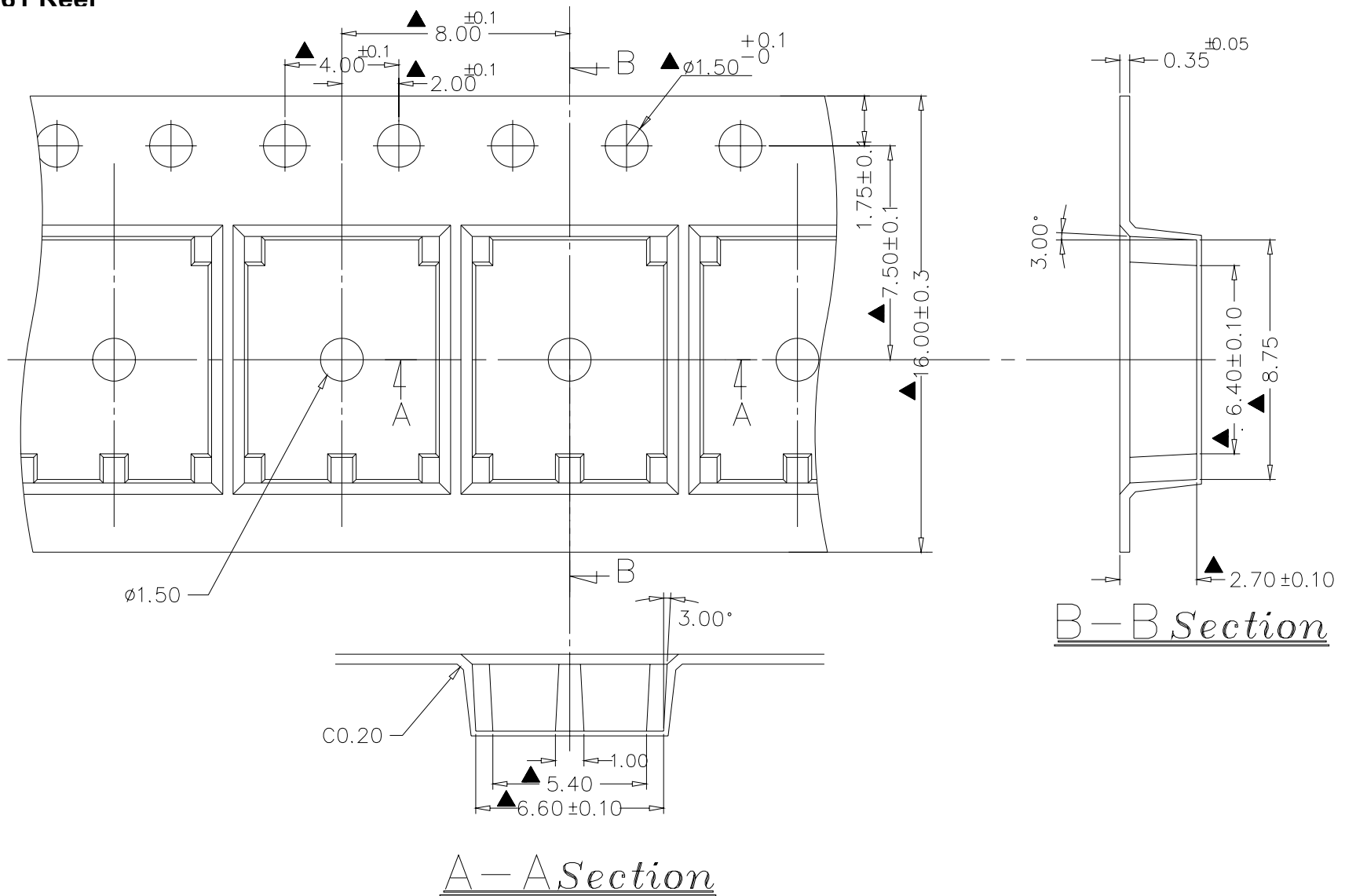
# PACKING

Part Number	Number Per Tube	Number Per Reel
DTS(G)L-60(1)	75	2700
DTS(G)F-60(1)	75	3000
DTS(G)L-62	75	2500
DTS(G)F-62	75	2500

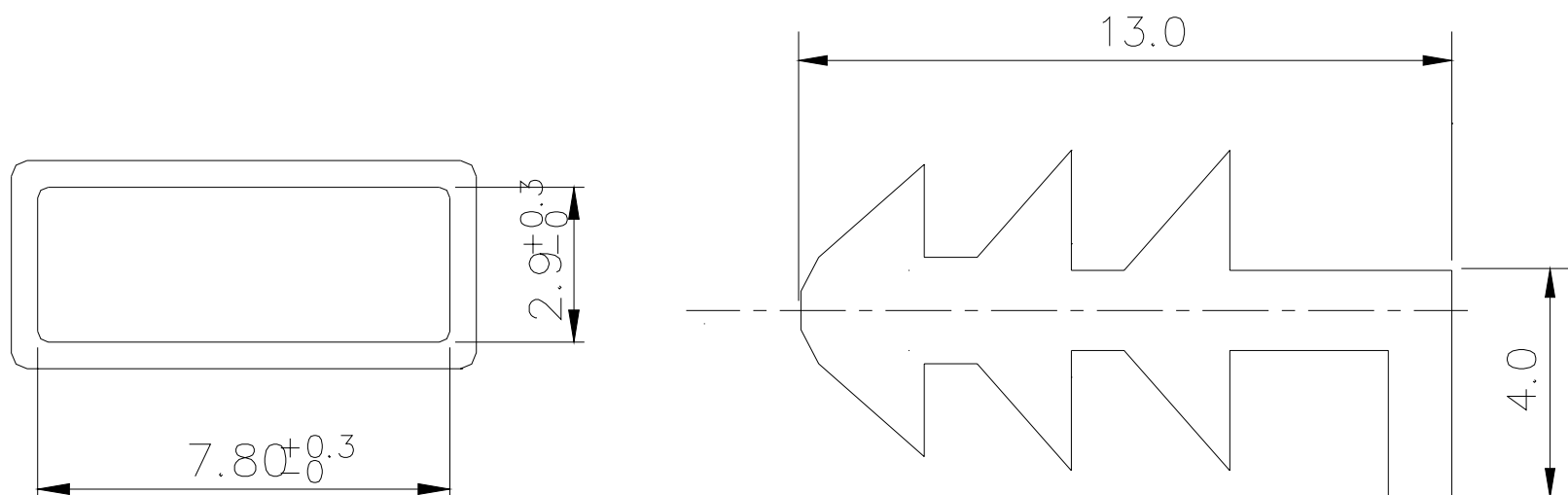
## DTS(G)L, F-62 reel



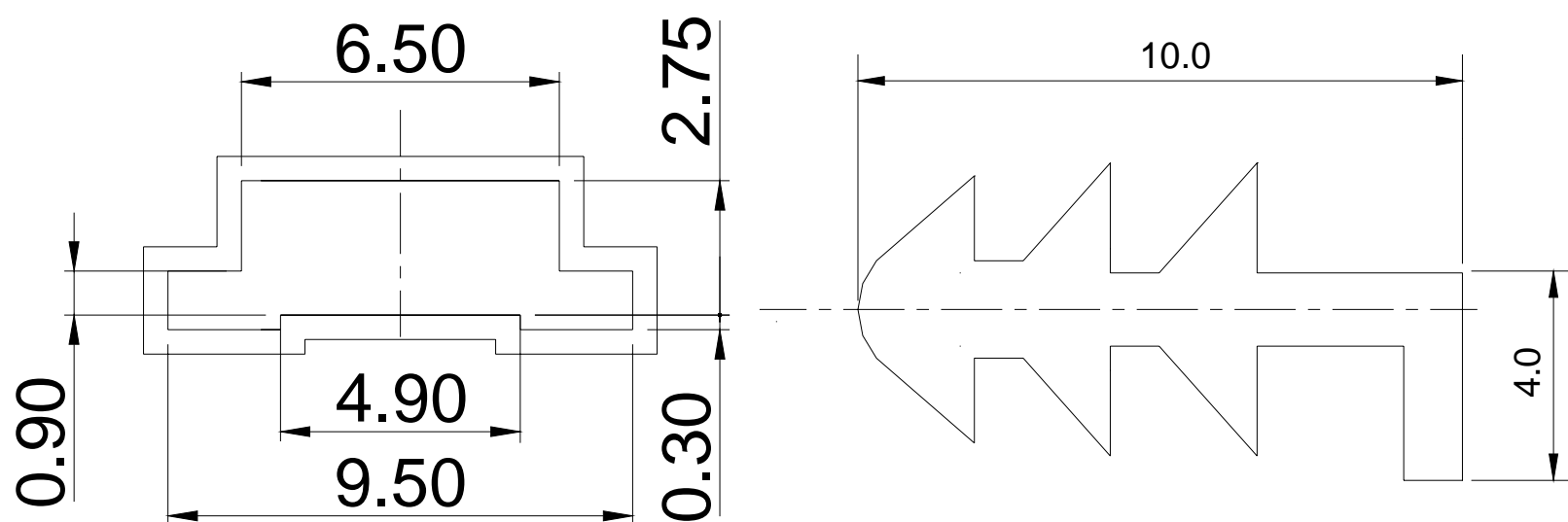
## DTS(G)L, F-60, 61 Reel



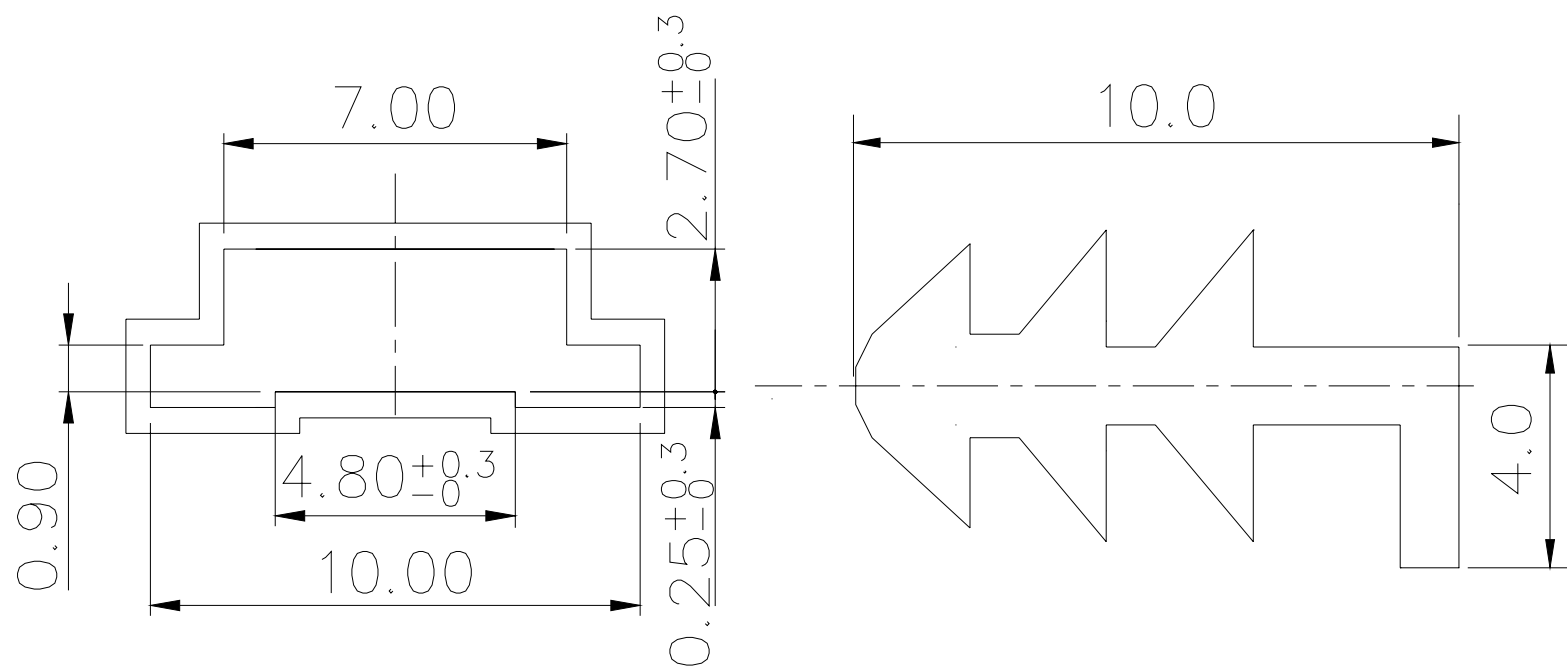
DTS(G)L-6 TUBE



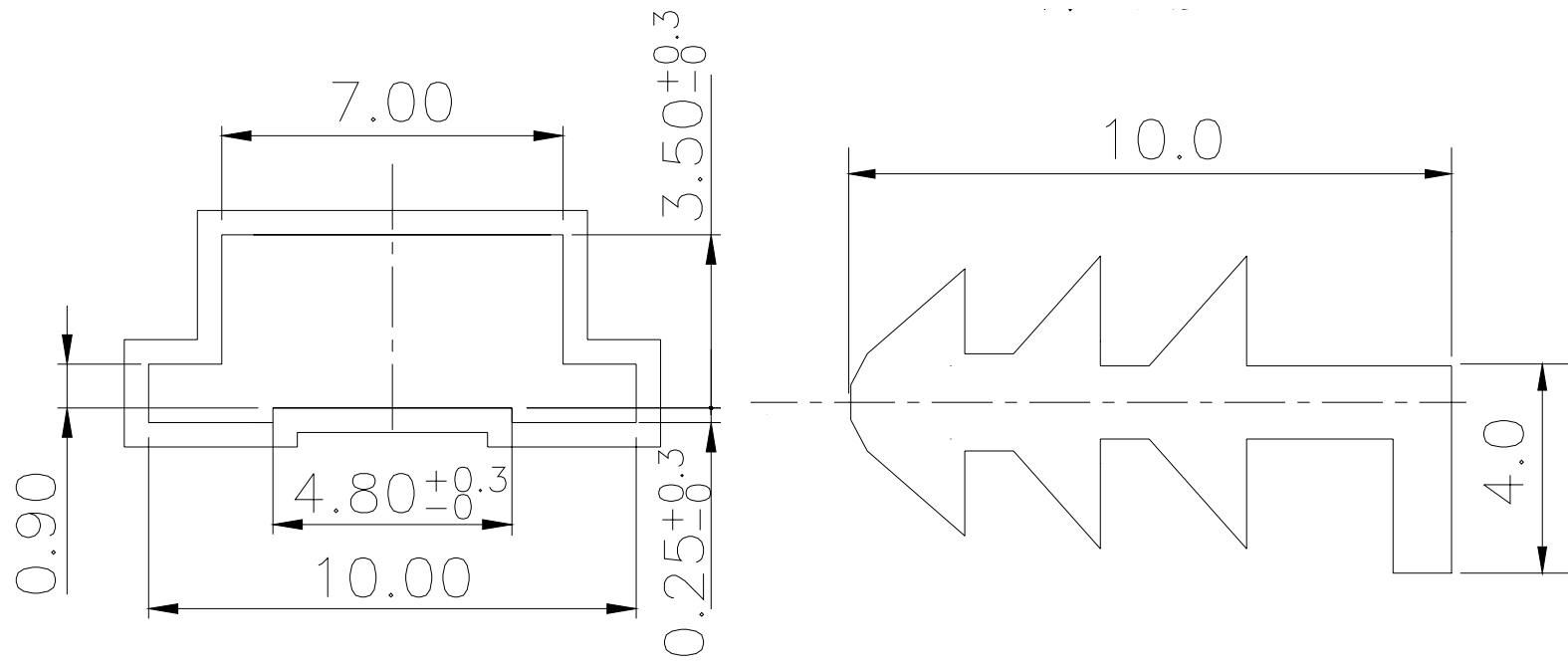
DTSF-60、61 TUBE



DTSGF-60、61 TUBE



DTS(G)F-62 TUBE



A P E M

**Apem Components Ltd**  
Drakes Drive, Long Crendon  
Buckinghamshire  
HP18 9BA. U.K

Tel +44 (0)1844 202400 Fax +44 (0)1844 202500